



Z5360

20" x 18" High Back Wall Hung Lavatory

TAG _____



Z5360 Series

- 20" [508 mm] x 18" [457 mm]
- Vitreous china
- 4" high back splash
- Faucet holes for single, 4", or 8" centers
- Wall hung lavatory provided with wall hanger or for use with concealed arm carrier systems
- Front overflow
- Waste: 1-1/4" O.D.
- Depth: 5-3/4"
- Shipping weight: 42 lbs.

Z5360 Series

Suffix Options:

___ -PED Vitreous China Half Pedestal.

Recommended Trim:

- Z8743-PC** Grid Strainer.
- Z8700** Series P-Trap.
- Z8800** Series Stop with Flexible Supplies.
- Z8946-1-NT** ADA Trap, Stop, and Supply Protectors.

Optional Trim:

- Z8746-PC** ADA Grid Strainer.
- Z8946-3-NT** ADA Trap, Stop, and Supply Protectors for Offset Grid Strainers.

Engineering Specification:

- Z5361** 20" x 18" vitreous china wall hung lavatory with single faucet hole. Provided with hanger plate and holes for concealed arm carrier systems.
- Z5364** 20" x 18" vitreous china wall hung lavatory with 4" center faucet holes. Provided with hanger plate and holes for concealed arm carrier systems.
- Z5368** 20" x 18" vitreous china wall hung lavatory with 8" center faucet holes. Provided with hanger plate and holes for concealed arm carrier systems.

These dimensions and specifications are subject to change without notice.

Fixture dimensions meet ANSI/ASME standard A112.19.2-2003 and CAN/CSA B45 requirements.

Meets the American Disabilities Guidelines and ANSI A117.1 requirements when lavatory is installed 34" [864mm] from finished floor.



See Zurn One Systems for suggested packages.

This space is for Architectural/engineering Approval

Zurn Plumbing Products Group Commercial Brass and Fixtures Operation
2640 South Work Street · Falconer, NY 14733 · Phone: 716-665-1132 · Fax: 716-665-1135 · www.zurn.com



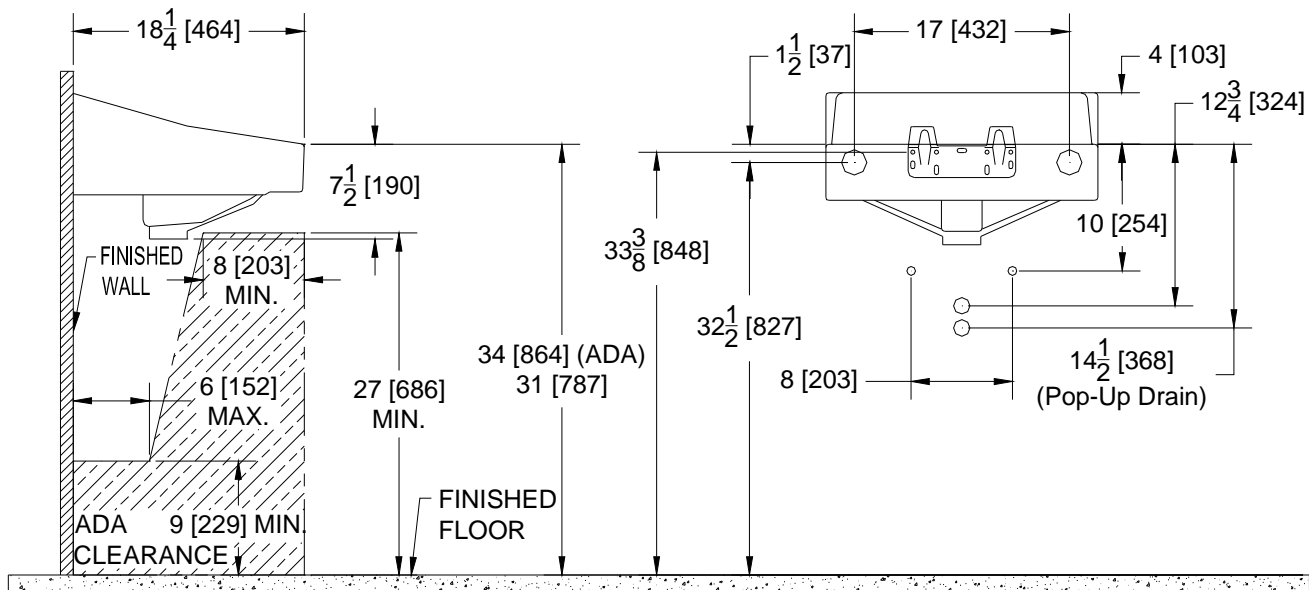
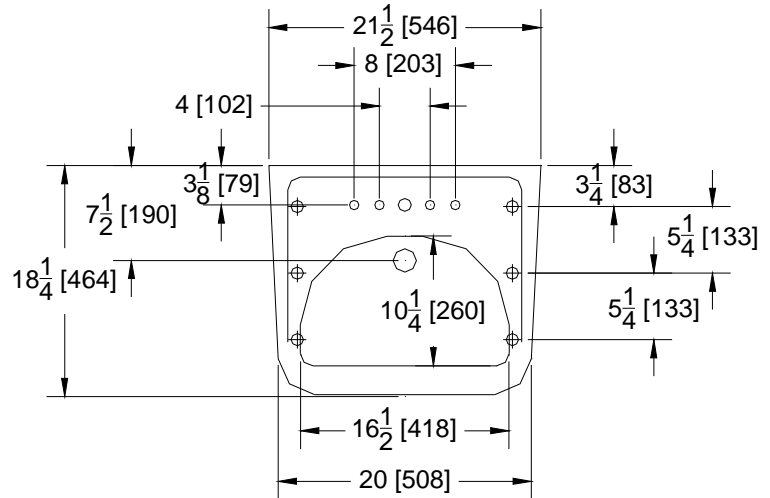
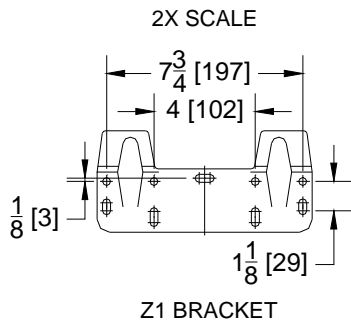
Z5360

20" x 18" High Back Wall Hung Lavatory Rough-In

TAG _____

Rough-in dimensions for Z5360 Series

- Z5361 Lavatory with single faucet hole
- Z5364 Lavatory with 4" center faucet holes
- Z5368 Lavatory with 8" center faucet holes



These dimensions and specifications are subject to change without notice.

Fixture dimensions meet ANSI/ASME standard A112.19.2-2003 and CAN/CSA B45 requirements.

Meets the American Disabilities Guidelines and ANSI A117.1 requirements when lavatory is installed 34" [864mm] from finished floor.



Note: Rough-in for concealed arm carrier, see Zurn Z1231 Rough-in sheet.

Zurn Plumbing Products Group Commercial Brass and Fixtures Operation
2640 South Work Street · Falconer, NY 14733 · Phone: 716-665-1132 · Fax: 716-665-1135 · www.zurn.com