

SPECIFICATION SUBMITTAL SHEET



**FEATURES**

Sizes:  1/2"  3/4"  1"  1-1/4"  1-1/2"  2"  
 Maximum working water pressure 175 PSI  
 Maximum working water temperature 180°F  
 Hydrostatic test pressure 350 PSI  
 End connections Threaded FNPT ANSI B1.20.1

**OPTIONS**

(Suffixes can be combined)

- with full port QT ball valves (standard)
- SH - with stainless steel handles
- FT - with integral male 45° flare SAE test fitting
- AG - with air gap
- BOF - with Blow out/Flush fitting

**ACCESSORIES**

- Repair kits
- Thermal expansion tank (Mdl. XT)
- Soft seated check valve (Mdl. 40XL)
- Shock arrester (Model 1250XL)
- QT-SET Quick Test Fitting Set
- Test Cock Lock (Model TCL24)
- Blow out / Flush fitting (RK34-375BOF, RK1-375BOF or RK114-350-375BOF)

**APPLICATION**

To help deter theft a durable black fusion epoxy coating is applied to the exterior bronze surfaces of the assembly. Ideal for use where lead-free\* valves are required. Designed for installation on potable water lines to protect against both backsiphonage and backpressure of contaminated water into the potable water supply. Assembly shall provide protection where a potential health hazard exists.

**STANDARDS COMPLIANCE**

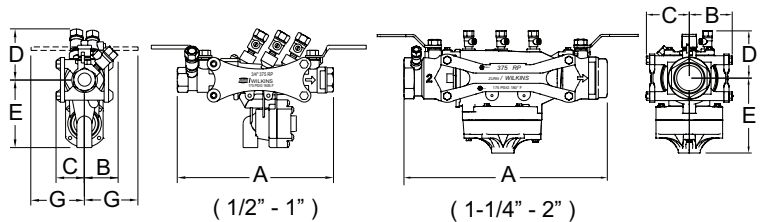
- ASSE® Listed 1013
- IAPMO® Listed
- CSA® Certified B64.4
- AWWA compliant C511
- Approved by the Foundation for Cross Connection Control and Hydraulic Research at the University of Southern California
- NSF® Listed-Standard 61, Annex G (3/4" - 2")
- UL® Classified (less shut-off valves only, 3/4" - 2")
- C-UL® Classified (less shut-off valves only, 3/4" - 2")

**LEAD PLUMBING LAW COMPLIANCE**

- (CA H&S Code §116875, VSA §2470h)  
 \*(0.25% MAX. WEIGHTED AVERAGE LEAD CONTENT)
- Lead Plumbing Law Certified by IAPMOR&T
  - Annex G Certified by NSF International

**MATERIALS**

Housing Reinforced Nylon, FDA approved  
 Fasteners Stainless Steel, 300 Series  
 Elastomers Silicone (FDA Approved)  
 Buna Nitrile (FDA Approved)  
 Internals Delrin, Nylon, NSF Listed  
 Springs Stainless Steel, 300 series  
 Ball Valves Cast Bronze, ASTM B 584  
 Struts Forged Brass, ASTM B 124

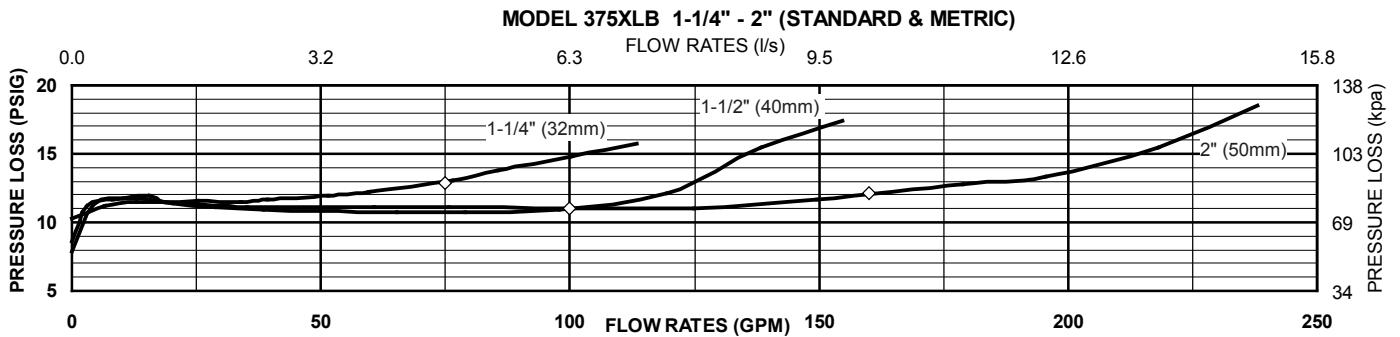
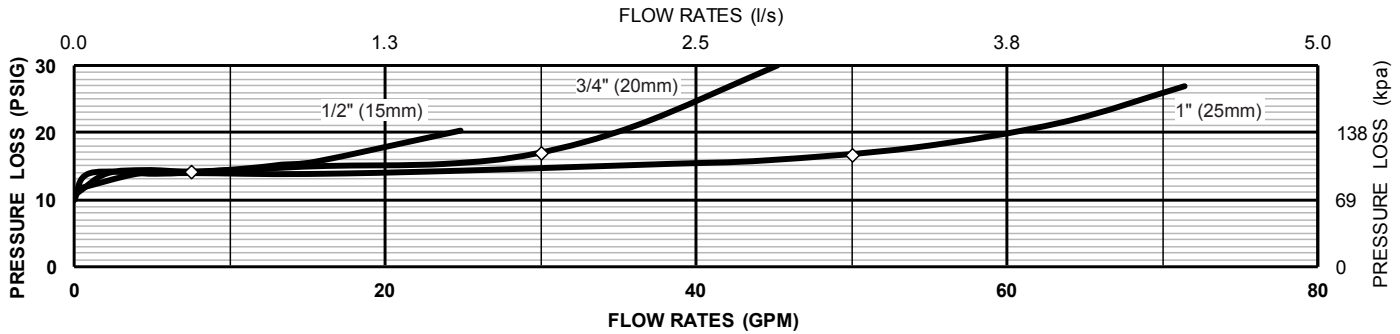


**DIMENSIONS & WEIGHTS (do not include pkg.)**

MODEL 375XLB SIZE		DIMENSIONS (approximate)												WEIGHT WITH BALL VALVES	
		A		B		C		D		E		G			
in.	mm	in.	mm	in.	mm	in.	mm	in.	mm	in.	mm	in.	mm	lbs.	kg
1/2	20	8 7/8	225	1 15/16	49	1 5/8	41	2 15/16	75	3 7/8	98	3	76	5.7	2.6
3/4	20	8 7/8	225	1 15/16	49	1 5/8	41	2 15/16	75	3 7/8	98	3	76	5.7	2.6
1	25	11 3/16	284	2 1/4	57	2 1/4	57	3 7/16	87	4	102	4	102	9.7	4.4
1-1/4	32	14 7/8	378	3 3/8	86	3 3/8	86	3 3/4	95	5 3/4	146	3 3/4	95	20.5	9.3
1-1/2	40	15 1/4	387	3 3/8	86	3 3/8	86	3 3/4	95	5 3/4	146	4 1/2	114	21.5	9.8
2	50	16	406	3 3/8	86	3 3/8	86	3 3/4	95	5 3/4	146	4 3/4	120.7	23.5	10.7

## FLOW CHARACTERISTICS

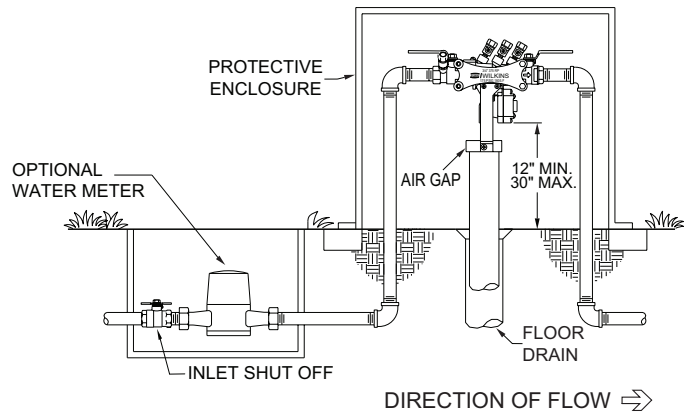
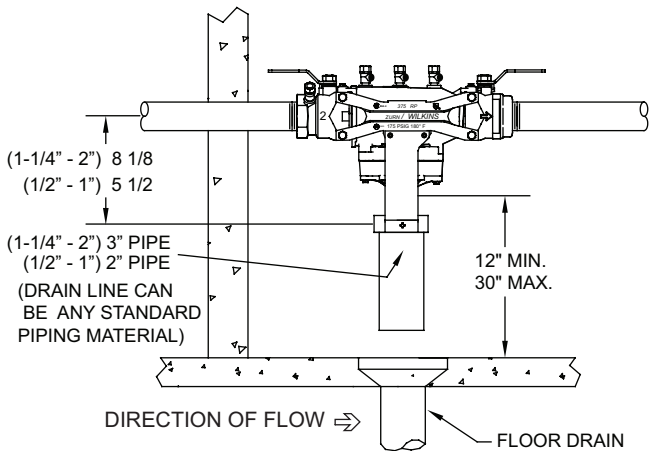
### MODEL 375XLB 1/2" - 1" (STANDARD & METRIC)



### TYPICAL INSTALLATION

Local codes shall govern installation requirements. To be installed in accordance with the manufacturers' instructions and the latest edition of the Uniform Plumbing Code. Unless otherwise specified, the assembly shall be mounted at a minimum of 12" (305mm) and a maximum of 30" (762mm) above adequate drains with sufficient side clearance for testing and maintenance. The installation shall be made so that no part of the unit can be submerged.

Capacity thru Schedule 40 Pipe				
Pipe size	5 ft/sec	7.5 ft/sec	10 ft/sec	15 ft/sec
3/8"	3	4	6	9
1/2"	5	7	9	14
3/4"	8	12	17	25
1"	13	20	27	40
1 1/4"	23	35	47	70
1 1/2"	32	48	63	95
2"	52	78	105	167



### SPECIFICATIONS

The Reduced Pressure Principle Backflow Preventer shall be ANSI 3<sup>rd</sup> party certified to comply with states' lead plumbing law 0.25% maximum weighted average lead content requirement, shall be ASSE® Listed 1013, rated to 180°F, and supplied with full port ball valves. The bronze surfaces shall have a black fusion epoxy coating applied. The main body shall be Nylon and the seat disc elastomers shall be silicone. If installed indoors, the installation shall be supplied with an air gap adapter. The Reduced Pressure Principle Backflow Preventer shall be a WILKINS Model 375XLB.

WILKINS a Zurn company, 1747 Commerce Way, Paso Robles, CA 93446 Phone:805-238-7100 Fax:805-238-5766

IN CANADA: ZURN INDUSTRIES LIMITED, 3544 Nashua Dr., Mississauga, Ontario L4V 1L2 Phone:905-405-8272 Fax:905-405-1292

Product Support Help Line: 877-BACKFLOW (877-222-5356) • Website: <http://www.zurn.com>