

MODEL 350 & 450

WILKINS®

Lead-Free* Double Check Backflow Preventers 2 1/2" & 3"

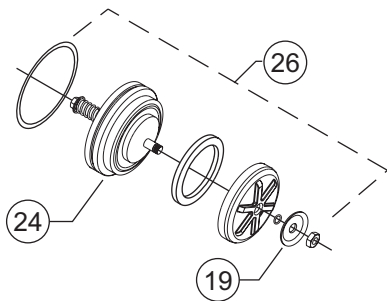
a **ZURN**® company

*This product contains a weighted average lead content less than 0.25% for wetted surfaces.

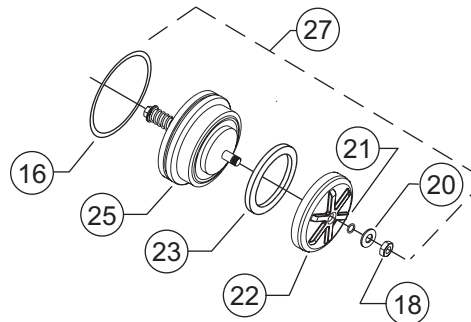
ITEM NO.	DESCRIPTION	2 1/2"	3"
1	GATE VALVE, NRS	212-48	3-48
	GATE VALVE, OS&Y	212-48OSY	3-48OSY
	GATE VALVE, OS&Y (F&G)	212-48OSYGXF	3-48OSYGXF
2	BOLT, FLANGE	558-11D	558-11D
3	NUT, FLANGE	558-9	558-9
4	GASKET, FLANGE	557-13	558-13
5	O-RING COVER PLATE	031N	031N
6	COVER PLATE	558-3AXL-010F	558-3AXL-010F
7	BOLT, COVER PLATE	554-11A	554-11A
8	SEAT RETAINER #2	3507-14G	3507-14G
9	SEAT RETAINER #1	3507-14F	3507-14F
10	COVER	3507-3C	3507-3C
11	COVER RETAINER ASSY	5-23	5-23
12	BULKHEAD FITTING ASSY	BHF1CXL-100	BHF1CXL-100
13	BALL VALVE	12-850XL	12-850XL
14	COUPLING	12-51	12-51
15	NIPPLE, LONG	558-21B	558-21B
16	O-RING	245N	245N
17	PLUG	558-7	558-7
18	NUT, POPPET RETAINER	3507-9	3507-9
19	HANDLE, #1 POPPET ASSY	3507-14E	3507-14E
20	WASHER	3507-14D	3507-14D
21	O-RING	WK-111N	WK-111N
22	POPPET RETAINER	3507-14	3507-14
23	SEAL RING	3507-12	3507-12
24	SEAT ASSEMBLY, #1 POPPET	3507-180	3507-180
25	SEAT ASSEMBLY, #2 POPPET	3507-180A	3507-180A
26	#1 CHECK ASSEMBLY	3507-300	3507-300
27	#2 CHECK ASSEMBLY	3507-300A	3507-300A
28	BULKHEAD FITTING ASSY	BHF1BXL-100	BHF1BXL-100
29	PLUG	558-7	558-7
30	BALL VALVE	12-850MXL	12-850MXL
31	GASKET, COVER RETAINER	5-23-13	5-23-13
32	BULKHEAD FITTING GASKET	BHF1-13	BHF1-13

REPAIR KITS

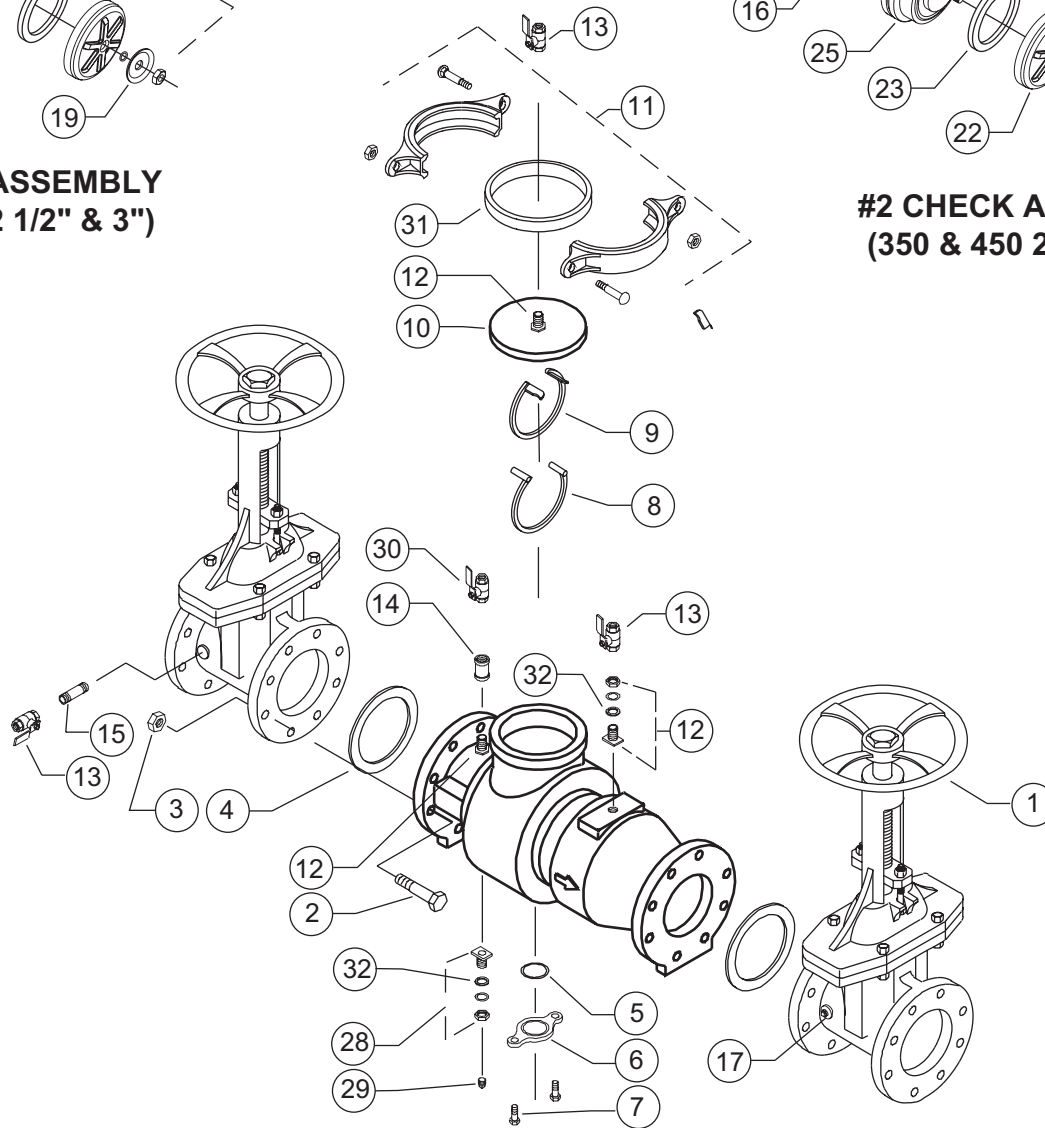
RK212-350		REPAIR KIT MODEL 350 & 450, 2 1/2", 3"	
PART NO.	QTY.	DESCRIPTION	
3507-12	2	SEAL RING	
245N	2	O-RING	
WK-111N	2	O-RING	



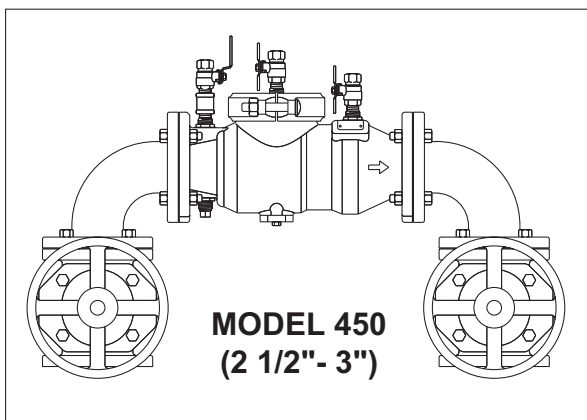
**#1 CHECK ASSEMBLY
(350 & 450 2 1/2" & 3")**



**#2 CHECK ASSEMBLY
(350 & 450 2 1/2" & 3")**



**MODEL 350
(2 1/2" - 3")**



**MODEL 450
(2 1/2" - 3")**