

For Residential and Light Commercial Applications

Job Name _____

Contractor _____

Job Location _____

Approval _____

Engineer _____

Contractor's P.O. No. _____

Approval _____

Representative _____

Plastic Filter Housings

Top Quality and Economical Plastic Filter Housings

Single Cartridge Filter Housings

Sizes: 1/4" – 1 1/2" (6 – 40mm)

Our poly filter housings are manufactured from the highest quality, FDA grade, 100% polypropylene and acrylic styrene (for clear housings). Leak-proof sealing is accomplished by compression against a top seated EPDM O-ring located in the housing's sump. Thick wall and added ribs make the housings ideal for a wide range of applications. Polypropylene construction provides excellent chemical resistance with most acids, alcohol, ammonia, oils, plating solutions and many aggressive chemicals. Housings supplied with and without pressure relief valves. See specifications table for pressure and temperature ratings.

Full product line

We offer a complete line of poly filter housings for virtually every application where single cartridge housings are typically used. Select from standard, heavy-duty, full-flow, high-purity, high-temp and valve-in-head models.

Features

- Full product line for more types, models, pipe fittings and options
- Heavy-duty construction, made using high-quality FDA grade polypropylene
- Superior chemical resistance from many aggressive chemicals
- Buttress thread design for superior security
- Thick side walls with heavy-duty ribs to provide greater strength
- Temperature rated to 125°F (52°C)
- Cap, sump and top-seated O-rings compress to provide leak proof sealing

See specifications table for more details.

Note: Do not use with water that is microbiologically unsafe or of unknown quality without adequate disinfection before or after the system.

PURE WATER

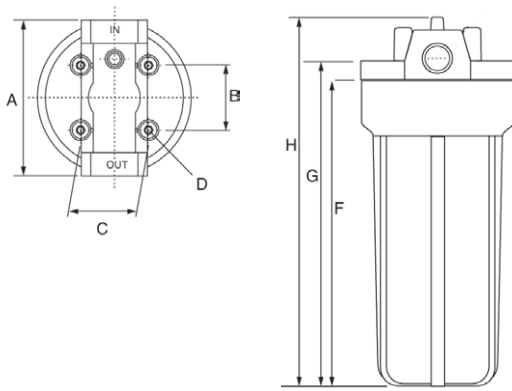


**Buttress thread design —
Provides greater security**



**Heavy-duty construction —
Housings are made entirely
of the highest quality FDA
grade polypropylene**

Dimensions



HOUSING TYPE	SIZE	DIMENSIONS													
		A		B		C		D		F		G		H	
	in.	in.	mm	in.	mm	in.	mm	in.	mm	in.	mm	in.	mm	in.	mm
Blue/Black/Clear	10	4.72	120	1.57	40	1.18	30	1.18	30	10.5	267	11.0	279	11.8	300
Blue/Black/Clear	20	4.72	120	1.57	40	1.18	30	1.18	30	20.47	520	21.26	540	22.8	579
High Temp	10	5.35	136	2.22	56	2.28	58	0.23	6	10.43	265	11.49	292	12.5	318
High Temp	20	5.35	136	2.22	56	2.28	58	0.23	6	20.47	520	21.26	540	22.8	579
Full-Flow (B-B)	10	7.28	186	3.03	77	3.03	77	0.275	7	11.33	288	11.57	294	14.0	356
Full-Flow (B-B)	20	7.28	186	3.03	77	3.03	77	0.275	7	21.25	540	21.65	550	24.0	25



Full-Flow (B-B) Series
(10" and 20")



High Temp
(10" and 20")



Blue/Black
(10" and 20")



Clear
(10" and 20")

Specifications

Material: sumps & caps	FDA grade polypropylene.
Material: O-rings	EPDM is standard; Viton is available as a spare part.
Maximum temperature (standard)	125°F (52°C)
Maximum temperature (high temp)	200°F (93°C)
Minimum temperature	40°F (4°C)
Maximum pressure (standard)	125psi (8.75 bar)
Maximum pressure (full flow)	90psi (6.3 bar)

Individually Boxed Plastic Housings in Master Cartons

Complete with housing, wrench, bracket and mounting screws

MODEL NO.	HOUSING	TYPE	SUMP	CAP	WRENCH	BRACKET	CASE QTY.
PWHSG-ASY-STD-10-CL34-VH	PWHSG-ASY-VH-10-CL34	Valve-In-Head	Clear	White	PWTOOL-WRENCH-STD	BKT-STD1-STEEL-WHITE	6
PWHSG-ASY-BB-10-1-PR	PWHSG-ASY-BB-10-BL1-PR	Full-Flow (B-B)	Blue	Black	PWTOOL-WRENCH-BB	BKT-BB1-STEEL-WHITE	4
PWHSG-ASY-BB-20-1-PR	PWHSG-ASY-BB-20-BL1-PR	Full-Flow (B-B)	Blue	Black	PWTOOL-WRENCH-BB	BKT-BB1-STEEL-WHITE	4

Poly Filter Housings

MODEL NO.	SIZE	PIPE	SUMP	CAP	# CASE
-----------	------	------	------	-----	--------

Clear Housings

PWHSG-ASY-STD-10-CL-14	10"	¼"	Clear	White	12
PWHSG-ASY-STD-10-CL-14-PR	10"	¼"	Clear	White PR	12
PWHSG-ASY-STD-10-CL-12	10"	½"	Clear	White	12
PWHSG-ASY-STD-10-CL-12-PR	10"	½"	Clear	White PR	12
PWHSG-ASY-STD-10-CL-34	10"	¾"	Clear	White	12
PWHSG-ASY-STD-10-CL-34-PR	10"	¾"	Clear	White PR	12
PWHSG-ASY-STD-10-CL1-PR	10"	1"	Clear	White	12
PWHSG-ASY-BB-10-CL1-PR	10"	1"	Clear	Black PR	4
PWHSG-ASY-BB-20-CL1-PR	20"	1"	Clear	Black PR	6

10" Residential Housings

PWHSG-ASY-STD-10-BL-14	10"	¼"	Blue	Black	12
PWHSG-ASY-STD-10-BL-14-PR	10"	¼"	Blue	Black PR	12
PWHSG-ASY-STD-10-BL-12	10"	½"	Blue	Black	12
PWHSG-ASY-STD-10-BL-12-PR	10"	½"	Blue	Black PR	12
PWHSG-ASY-STD-10-BL-34	10"	¾"	Blue	Black	12
PWHSG-ASY-STD-10-BL-34-PR	10"	¾"	Blue	Black PR	12

20" Residential Housings

PWHSG-ASY-STD-20-BL12	20"	½"	Blue	Black	6
PWHSG-ASY-STD-20-BL12-PR	20"	½"	Blue	Black PR	6

10" Full Flow Housings (for 4½" OD cartridges)

PWHSG-ASY-BB-10-BL34-PR	10"	¾"	Blue	Black PR	4
PWHSG-ASY-BB-10-BL1	10"	1"	Blue	Black	4
PWHSG-ASY-BB-10-BL1-PR	10"	1"	Blue	Black PR	4
PWHSG-ASY-BB-10-BL1.5	10"	1½"	Blue	Black	4
PWHSG-ASY-BB-10-BL1.5-PR	10"	1½"	Blue	Black PR	4

20" Full Flow Housings (for 4½" OD cartridges)

PWHSG-ASY-BB-20-BL34-PR	20"	¾"	Blue	Black PR	4
PWHSG-ASY-BB-20-BL1	20"	1"	Blue	Black	4
PWHSG-ASY-BB-20-BL1-PR	20"	1"	Blue	Black PR	4
PWHSG-ASY-BB-20-BL1.5	20"	1½"	Blue	Black	4
PWHSG-ASY-BB-20-BL1.5-PR	20"	1½"	Blue	Black PR	4

High Temp Housings (200°F / 93°C)

PWHSG-ASY-STD-10-RED34	10"	¾"	Red	Red	12
PWHSG-ASY-STD-20-RED34	20"	¾"	Red	Red	12

Mounting Brackets (partial listing)

BKT-STD1-STEEL-WHITE	Single, 10" & 20" Residential Housings	150
BKT-STD2-STEEL-WHITE	Double, 10" & 20" Residential Housings	100
BKT-STD3-STEEL-WHITE	Triple, 10" & 20" Residential Housings	25
BKT-BB1-STEEL-WHITE	Single, 10" & 20" Residential Housings	25
BKT-BB1-STEEL-WHITE	Double, 10" & 20" Residential Housings	10
BKT-BB1-STEEL-WHITE	Triple, 10" & 20" Residential Housings	40

Wrenches

PWTOOL-WRENCH-STD	Wrench for Residential Housings	100
PWTOOL-WRENCH-BB	Wrench for Full-Flow Housings	100
PWTOOL-WRENCH-STD-DUAL	Dual Wrench for Membrane and Residential Filter Housings	90



A Watts Water Technologies Company

ES-WQ-FilterHousing 1122



USA: North Andover, MA • Tel. (800) 224-1299 • www.watts.com
Canada: Burlington, ON • Tel. (888) 208-8927 • www.wattscanada.ca

© 2011 Watts