

## For Commercial and Industrial Applications

Job Name \_\_\_\_\_

Contractor \_\_\_\_\_

Job Location \_\_\_\_\_

Approval \_\_\_\_\_

Engineer \_\_\_\_\_

Contractor's P.O. No. \_\_\_\_\_

Approval \_\_\_\_\_

Representative \_\_\_\_\_

# Series G4000M1

## 2-piece, Full Port, Cast Iron Flanged Ball Valves

Sizes: 2" – 6" (50 – 150mm)

Series G4000M1 2-Piece, Full Port, Cast Iron Flanged Ball Valves feature a stainless steel ball and stem with 200psi (14 bar) CWP and 125psi (9 bar) WSP rating. These valves are ideal to replace old cast iron gate valves and feature reliable quarter-turn ball valve technology.

### Features

- Full port
- 125psi (9 bar) WSP rating
- 200psi (14 bar) CWP rating
- Same end-to-end dimensions as conventional flanged iron gate valves (ANSI 16.10)
- Quarter-turn open or close operation
- Stainless steel ball and stem
- Positive shutoff
- 2-piece body construction

### Specifications

A 2-piece, full port, cast iron flanged ball valve to be installed as indicated on the plans. Approved valves shall comply with the American Standard for face-to-face dimensions (ANSI 16.10) for Class 125 iron flanged gate valves. The dimensions and drilling of end flanges shall conform to American Cast Iron Flange Standard, Class 125 (ANSI B16.1). Valves shall have stainless steel ball and stem. Plastic coated iron balls are not acceptable. Pressure rating no less than 200psi (14 bar) CWP and 125 (9 bar) WSP. The valve shall be a Watts Series G4000M1.

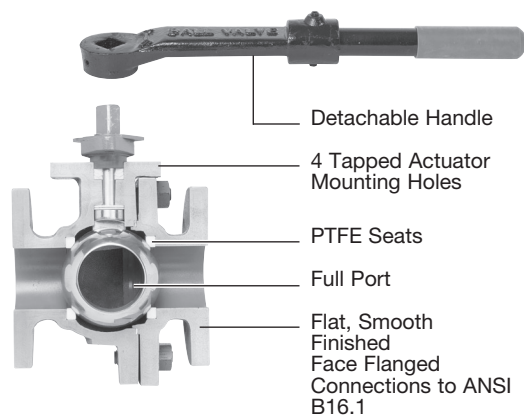
### Pressure – Temperature

**Maximum Temperature:** 353°F (178°C)

**Maximum Working Pressure:** 200psi (14 bar) CWP;  
125psi (9 bar) WSP

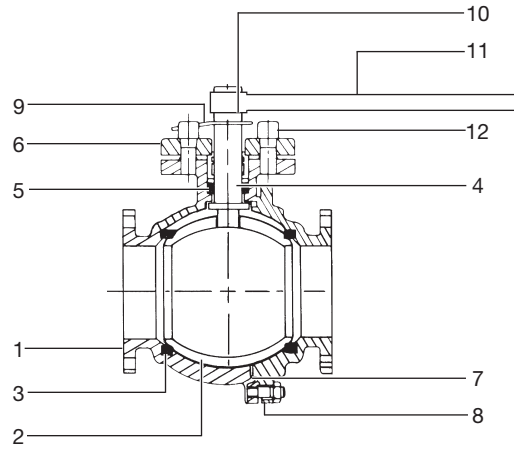


G4000M1



## Materials

- |                              |                                |
|------------------------------|--------------------------------|
| 1. Body                      | Cast Iron, ASTM A126 Class B   |
| 2. Ball                      | 304 Stainless Steel, ASTM A351 |
| 3. Seat                      | PTFE                           |
| 4. Stem                      | 304 Stainless Steel, AISI 304  |
| 5. Packing                   | PTFE                           |
| 6. Gland                     | Cast Iron, ASTM A126 Class B   |
| 7. Gasket                    | PTFE                           |
| 8. Bolt and Nut              | Steel, ASTM A6                 |
| 9. Stop Plate                | Steel Plated, ASTM A6          |
| 10. Stop Washer              | Stainless Steel, AISI 304      |
| 11. Handle                   | Ductile Iron, ASTM A439        |
| 12. Hex Socket and Head Bolt | Steel, ASTM A6                 |

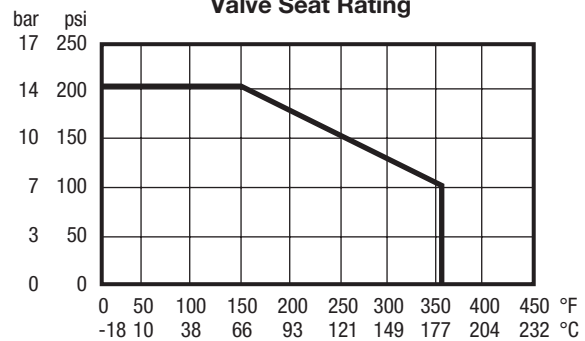


## Capacity

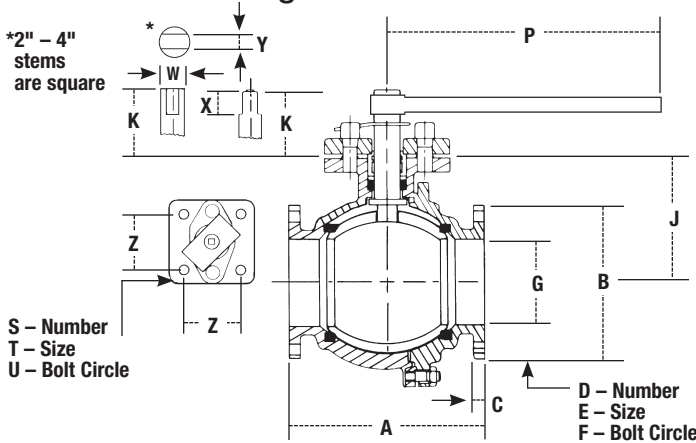
### Valve Operating Torque – Ratings

SIZE		CV RATINGS	MAX. OPERATING TORQUE	
in.	mm		in./lbs.	N-m
2	50	330	450	50.8
2½	65	420	620	70.0
3	80	600	750	84.7
4	100	1200	1420	160.4
6	150	3300	3190	360.4

### Valve Seat Rating



## Dimensions – Weights



SIZES (DN)	A	B	C	D	E	F	G	J	K	P	S	T	U	W	X	Y	Z	WEIGHT
in 2	7	6	5/8	4	3/4	4 3/4	2	3	2	9	4	1/2-13UNC	3 1/4	5/8	1	5/8	2 5/16	22.0 lbs.
mm 50	179	152	16	4	19	121	51	76	51	229	4	12.7-330	82	16	25	16	58	10.0 kgs.
in 2½	7 1/2	7	1 1/16	4	3/4	5 1/2	2 1/2	3 1/16	2	16	4	1/2-13UNC	4 1/8	3/4	1	3/4	2 15/16	34.0 lbs.
mm 65	191	178	17	4	19	140	64	94	51	406	4	12.7-330	105	19	25	19	74	15.4 kgs.
in 3	8	7 1/2	3/4	4	3/4	6	3	4	2 3/16	16	4	1/2-13UNC	4 1/8	3/4	1	3/4	2 15/16	38.0 lbs.
mm 80	203	191	19	4	19	152	76	102	56	406	4	12.7-330	105	19	25	19	74	17.2 kgs.
in 4	9	9	1 5/16	8	3/4	7 1/2	4	4 13/16	2 3/16	19 11/16	4	1/2-13UNC	4 1/8	1 5/16	1 5/16	1 5/16	3 1/8	58.0 lbs.
mm 100	229	229	24	8	19	191	102	122	56	500	4	12.7-330	105	24	24	24	79	26.3 kgs.
in 6	10 1/2	11	1	8	7/8	9 1/2	6	7 3/16	3	26	4	5/8-11UNC	5 1/8	1 1/8	1 1/8	1 1/8	3 5/8	118.0 lbs.
mm 150	267	279	25	8	22	241	152	183	76	660	4	15.8-279	130	28	28	28	92	53.5 kgs.



A Watts Water Technologies Company



ISO 9001-2000  
CERTIFIED

USA: 815 Chestnut St., No. Andover, MA 01845-6098; www.watts.com

Canada: 5435 North Service Rd., Burlington, ONT. L7L 5H7; www.wattscanada.ca