

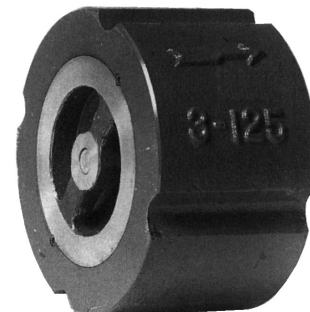
For Commercial Applications

Job Name _____	Contractor _____
Job Location _____	Approval _____
Engineer _____	Contractor's P.O. No. _____
Approval _____	Representative _____

Series ICVW-125 Cast Iron Silent Check Valves

Sizes: 2"-10" (50-250mm)

Series ICVW Cast Iron Silent Check Valves are designed to prevent water hammer effect. The conical spring design allows the closure disc to travel more distance than other valves of this style, allowing a greater flow coefficient (Cv). Series ICVW can be installed in either the horizontal or vertical position. **Note:** When installed in vertical pipe, flow direction in normal operation should open the disc, and inlet pressure should be greater than head pressure.



Features:

- Conical spring design allows greater flow coefficient
- Can be installed in horizontal or vertical position

Pressure — Temperature:

- 200psi CWP to 150°F
- Note: Not to be used in steam service

Materials List

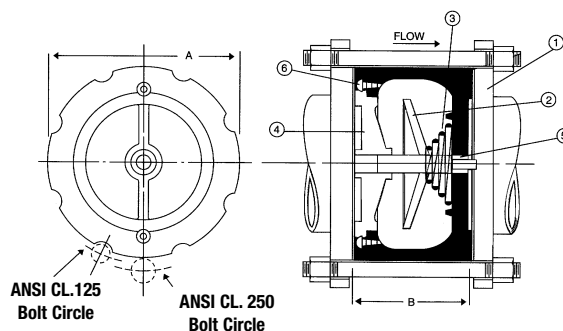
No.	Description	Material	ASTM Spec
1	Body	Cast Iron	ASTM A126 Class B
2	Disc	Bronze	ASTM B62
3	Conical Spring	Stainless Steel	ASTM 302
4	Seat	Bronze	ASTM B62
5	Bushing	Bronze	ASTM B62
6	Set Screw	Stainless Steel	ASTM 304

Specifications

Valve shall be manufactured of cast iron. Valve shall be pressure rated to 200psi and have a conical spring design to allow for a greater flow coefficient. Valve shall be a Watts Regulator Company Series ICVW-125.

Dimensions — Weights

Size		Ordering Code	Dimensions				Cv	Weights	
			A		B		Rating		
in.	mm		in.	mm	in.	mm		lbs.	kgs.
2	50	0625570	4 ¹ / ₄	108	2 ³ / ₈	67	50	5	2.3
2 ¹ / ₂	65	0625571	5	127	2 ⁷ / ₈	73	72	7	3.2
3	80	0625572	5 ³ / ₄	146	3 ¹ / ₄	83	92	11	5.0
4	100	0625573	7	178	4	102	180	18	8.2
5	125	0625574	8 ³ / ₈	213	4 ⁵ / ₈	117	276	25	11.3
6	150	0625575	9 ³ / ₄	248	5 ¹ / ₂	140	408	36	16.3
8	200	0625576	13 ³ / ₈	340	6 ¹ / ₂	165	720	80	36.2
10	250	0625577	16	406	8 ¹ / ₂	216	1080	129	58.6



Note: bolts and flanges not included.



USA: 815 Chestnut St., No. Andover, MA 01845-6098; www.wattsreg.com
Canada: 5435 North Service Rd., Burlington, ONT. L7L 5H7; www.wattscanada.ca



Watts product specifications in U.S. customary units and metric are approximate and are provided for reference only. For precise measurements, please contact Watts Technical Service. Watts reserves the right to change or modify product design, construction, specifications, or materials without prior notice and without incurring any obligation to make such changes and modifications on Watts products previously or subsequently sold.