

**For Residential, Commercial and Industrial Applications**

---

Job Name _____	Contractor _____
Job Location _____	Approval _____
Engineer _____	Contractor's P.O. No. _____
Approval _____	Representative _____

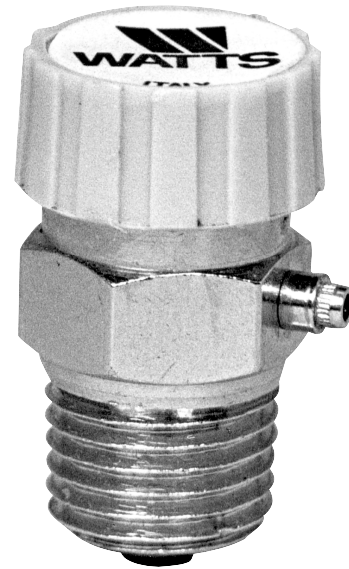
---

# Series HAV Air Vent Automatic Vent for Hot Water

Sizes: 1/8" and 1/4"  
(3 and 8mm)

The HAV Hot Water Vent is designed for automatic or manual air release on baseboards, convectors, radiators, and high points in piping systems.

The HAV valve utilizes moisture retaining discs within the body which vary in volume when they change from a wet to a dry condition. As the discs dry, they allow air to escape from the system and when wet, provide a positive shut-off.



### FEATURES

- Attractive chromed brass body
- Durable "Stainless Steel" check valve
- Automatic or manual operation
- Quick venting design
- Positive shut-off ball check
- Heat resistant handwheel
- Suitable for use with hot water and low pressure steam systems
- Easily maintained—replacement cartridge can be installed without system shut down
- Simple two piece construction

Watts product specifications in U.S. customary units and metric are approximate and are provided for reference only. For precise measurements, please contact Watts Technical Service. Watts reserves the right to change or modify product design, construction, specifications, or materials without prior notice and without incurring any obligation to make such changes and modifications on Watts products previously or subsequently sold.

Ordering Code No.	No.	Description
590712	1/8 HAV	HAV Air Vent
590713	1/4 HAV	HAV Air Vent
590714	HAV-RC	Replacement Cartridge



**USA:** 815 Chestnut Street, North Andover, MA 01845-6098  
**Canada:** 5435 North Service Road, Burlington, Ontario L7L 5H7

## MATERIALS

The HAV Air Vent is manufactured in two parts (body and disc cartridge).

- **Chromed Brass** - body
- **Brass** - disc bearing cover
- **Stainless steel** - check valve
- **Copper** - thermostat assembly
- **Neoprene** - O-ring
- **Heat resistant ABS plastic material** - handwheel
- **Special cellulose fiber** - disc

A periodic check of the condition of the discs will establish the need for replacement. When the discs are damaged, the valve can only operate manually; to restore to automatic working, the cartridge must be replaced.

To replace the cartridge, unscrew the handwheel, clean the seat of the valve of any foreign matter and then assemble a new disc cartridge. The body contains a check valve, preventing water leakage, therefore, this operation can be carried out without draining the water from the radiators.

## PRESSURE-TEMPERATURE

Suitable for water only additives: Only inhibited glycol based additives are permissible.

- Maximum Working Pressure:** 125 psi (8.6 bar)
- Minimum Working Pressure:** 1.45 psi (10 kPa)
- Maximum Water Temperature:** 240°F (116°C)
- Minimum Water Temperature:** 140°F (60°C)
- Test Pressure:** 130 psi (9 bar)
- Maximum Steam Pressure:** 10 psi (69 kPa)

## CAPACITY

Diagram 1  
Venting Capacity

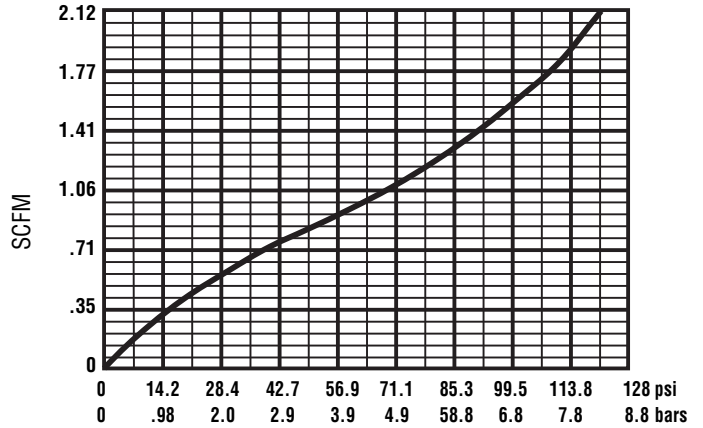
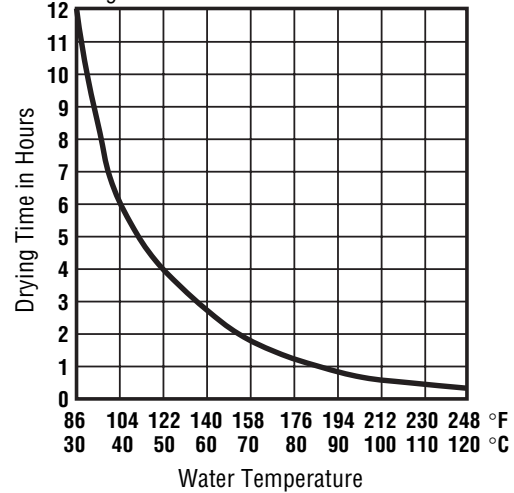
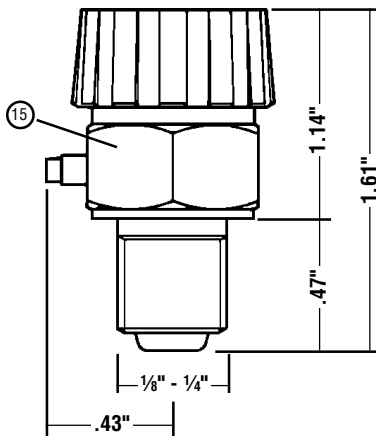


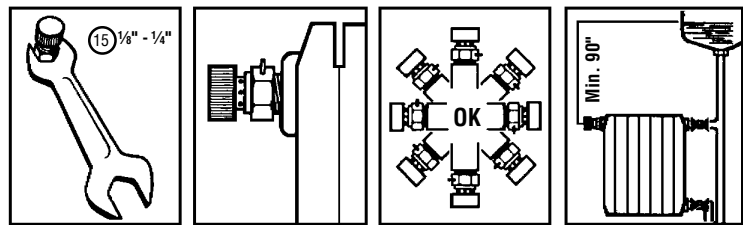
Diagram 2



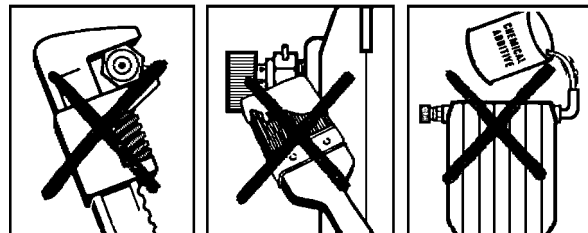
## BASIC CONSTRUCTION



## Correct Installation/Maintenance



## Incorrect Installation/Maintenance



A LEADER IN VALVE TECHNOLOGY  
  
**WATTS**<sup>®</sup>  
**REGULATOR**  
 Since 1874 Watts Industries, Inc.  
 Water Products Division • Safety & Control Valves

USA: 815 Chestnut St., No. Andover, MA 01845-6098; www.wattsreg.com  
 Canada: 5435 North Service Rd., Burlington, ONT. L7L 5H7; www.wattseda.com

ISO 9001  
 CERTIFIED