

## For Commercial and Industrial Applications

Job Name \_\_\_\_\_

Contractor \_\_\_\_\_

Job Location \_\_\_\_\_

Approval \_\_\_\_\_

Engineer \_\_\_\_\_

Contractor's P.O. No. \_\_\_\_\_

Approval \_\_\_\_\_

Representative \_\_\_\_\_

# Series B6000-SS

## 2-Piece, Standard Port, Bronze Ball Valves

Sizes: 1/4" – 4" (8 – 100mm)

Series B6000-SS 2-Piece, Standard Port, Bronze Ball Valves feature a 316 stainless steel blowout proof pressure retaining stem with Durafill® or Uniseal® seats and a 316 stainless steel ball to provide lasting service for a wide range of liquids and gases.

### Features

- 316 Stainless steel ball and stem
- Minimal pressure drop due to large ports
- Blow-out proof, pressure retaining stem
- High life cycle reinforced PTFE stem packing and thrust washer
- Vinyl insulator on heavy duty, zinc-plated, carbon steel handles
- Fast quarter-turn open or close operation
- Low operating torque
- Adjustable stem packing gland requiring minimal maintenance
- Each valve factory tested

### Specifications

A 2-piece, standard port, bronze steam ball valve to be installed as indicated on the plans. The valve must have a 316 stainless steel ball & stem, a blowout proof pressure retaining stem and a reinforced PTFE stem packing seal. Pressure rating no less than 600psi (41 bars) WOG non-shock; 150psi (10.3 bars) WSP for 1/4" – 3" and 400psi (28 bars) WOG non-shock; 125psi (8.6 bars) WSP for 4". Valve shall be a Watts Regulator Company Series B6000-SS.

Durafill® is a registered trademark of Cargill, Limited.  
Uniseal® is a registered trademark of Uniseal, Incorporated.



B6000-SS

B6000-SS-LH  
with locking lever handle

**BAA/ARRA Compliant\***

\*This product complies with the Buy American Act and The American Recovery and Reinvestment Act. For more information, visit [watts.com](http://watts.com).

### Options

- Suffix
- 04 – Mineral filled PTFE seats
  - LH – Locking lever handle
  - OV – Oval handle
  - OVLH – Oval locking handle
  - RH – Round handle
  - SH – Stainless steel handle and nut
  - XH – Extended handle
  - TH – Tee handle 1/4" – 2" (8 – 50mm)
  - CL – Chain lever kit 3/4" – 1" (20 – 25mm)

### Pressure – Temperature

Temperature Range: 0°F - 450°F (-18°C to 232°C)  
@ 50psi (3.4 bars)

1/4" – 3" (8 – 50mm)

600psi (41 bars) WOG non-shock

150psi (10 bars) WSP

4" (100mm)

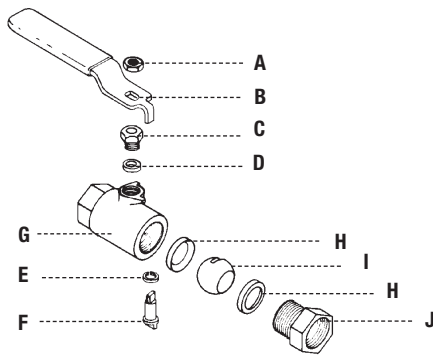
400psi (28 bars) WOG non-shock

125psi (8.6 bars) WSP

Watts product specifications in U.S. customary units and metric are approximate and are provided for reference only. For precise measurements, please contact Watts Technical Service. Watts reserves the right to change or modify product design, construction, specifications, or materials without prior notice and without incurring any obligation to make such changes and modifications on Watts products previously or subsequently sold.

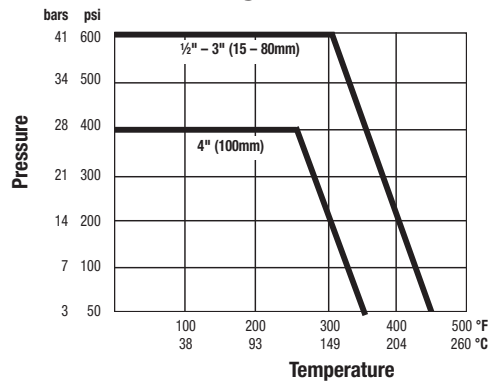
**WATTS®**

## Materials



- A Handle Nut** Zinc Plated Carbon Steel
- B Handle** Zinc Plated Carbon Steel with Vinyl Insulator
- C Packing Nut** Brass ASTM B16, C36000
- D Stem Packing** Glass Reinforced PTFE
- E Thrust Washer** Glass Reinforced PTFE
- F Stem** ANSI 316 Stainless Steel
- G Body** Cast Bronze ASTM B584, C84400
- H Seats** Durafill® (1/4" - 1/2" & 1 1/4" - 4")  
Uniseal® (3/4" & 1")
- I Ball** ASTM 316 Stainless Steel
- J Adapter** Brass ASTM B16, C36000
- K Body Seals** PTFE (1/4" - 4" only) – not shown

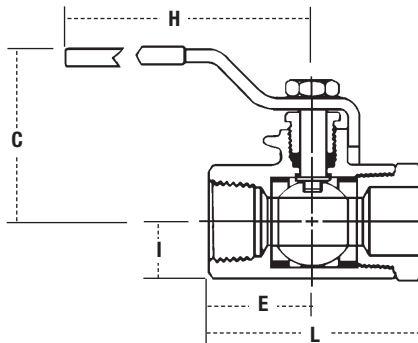
## Valve Seat Rating



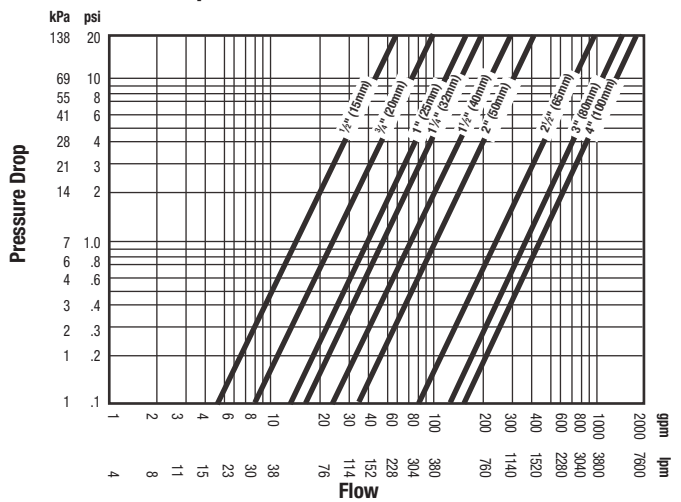
Saturated Steam Rating: 250psi (17 bars)

SIZE (DN)		OPERATING TORQUE		
in.	mm	CV Rating	in./lbs.	Nm
1/4	8	6	60	6.8
3/8	10	6	60	6.8
1/2	15	15	60	6.8
3/4	20	25	90	10.2
1	25	40	150	16.9
1 1/4	32	50	175	19.8
1 1/2	40	75	200	22.6
2	50	110	250	28.2
2 1/2	65	260	500	56.5
3	80	400	600	67.8
4	100	450	800	90.4

## Dimensions – Weights



## Pressure Drop vs. Flow



SIZE (DN)		DIMENSIONS						WEIGHTS					
in.	mm	C Center to Handle		E Center to End		H Radius of Handle		L End to End		lbs.	kg.		
		in.	mm	in.	mm	in.	mm.	in.	mm				
1/4	8	1 3/4	45	1 1/16	27	3 1/16	78	3/8	10	2 1/16	52	.6	.3
3/8	10	1 3/4	45	1 1/16	27	3 1/16	78	3/8	10	2 1/16	52	.6	.3
1/2	15	1 3/4	45	1 1/16	27	3 3/4	95	1/2	13	2 1/4	58	.6	.3
3/4	20	2	51	1 1/16	36	3 3/4	95	11/16	17	2 13/16	72	1.0	.5
1	25	2 1/4	57	1 11/16	43	4 1/2	114	7/8	22	3 1/16	87	1.6	.7
1 1/4	32	2 1/2	64	1 15/16	49	3 13/16	97	1	25	3 3/8	99	2.2	1.0
1 1/2	40	3	76	2 1/8	54	5 1/2	140	1 1/4	32	4 1/4	108	3.2	1.5
2	50	3 5/16	84	2 7/16	62	5 1/2	140	1 1/2	38	4 13/16	122	4.9	2.2
2 1/2	65	4	102	3 3/16	81	8 1/8	206	2	51	6 1/2	165	13.2	5.9
3	80	4 1/4	108	3 7/16	87	8 1/8	206	2 1/2	64	6 13/16	173	17.5	7.9
4	100	4 13/16	122	3 7/8	98	11	279	3	76	7 1/16	195	29.3	13.3



A Watts Water Technologies Company



USA: No. Andover, MA • Tel. (978) 688-1811 • Fax: (978) 794-1848 • www.watts.com  
 Canada: Burlington, ONT. • Tel. (905) 332-4090 • Fax: (905) 332-7068 • www.wattscanada.ca