

For Industrial Compressed Air Applications

Job Name _____

Contractor _____

Job Location _____

Approval _____

Engineer _____

Contractor's P.O. No. _____

Approval _____

Representative _____

Series B6400-SE

2-Piece, Standard Port, Bronze Ball Valves with Safety Exhaust

Sizes: 1/4" – 2" (8 – 50mm)

Series B6400-SE 2-Piece, Standard Port, Bronze Ball Valves with Safety Exhaust feature a drilled valve body and ball to provide vent for relieving air pressure downstream. The B6400-SE's standard port orifice ensures minimal pressure drop, while virgin PTFE seats, blowout proof pressure retaining stem and chrome plated brass ball provide lasting service.

Features

- Valve body and ball are drilled to provide vent for relieving air pressure downstream. In the closed or "off" position, the B6400-SE provides continuous air relief on the downstream side of the valve. Ideal for use where protection of machine tools is critical
- Actuator mounting pads
- Virgin PTFE valve seats are standard
- Pressure rated at 175psi (12 bars)
- Chrome plated brass ball is wiped clean during each operation of the valve
- Minimal pressure drop due to large ports
- Blowout proof, pressure retaining stem
- Vinyl insulator on heavy duty, zinc-plated, carbon steel handles
- Low operating torque
- Adjustable stem packing gland
- Each valve factory tested
- Valve is unidirectional due to body hole on downstream, with body flow directional arrow

Specifications

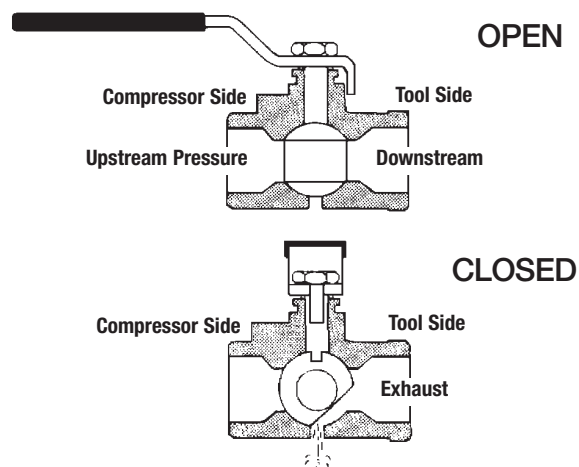
A 2-piece standard port bronze safety exhaust ball valve to be installed as indicated on the plans. Valve shall have ASTM B584 bronze body, chrome plated ASTM B16 brass ball, ASTM B16 brass blowout proof stem, virgin PTFE seats, PTFE stem packing, PTFE stem thrust bearing, and adjustable packing nut. Top loaded stems or valves without adjustable packing are not acceptable. Pressure rating no less than 175psi (12 bars). Valve shall be a Watts Regulator Company Series B6400-SE.



B6400-SE

BAA/ARRA Compliant*

*This product complies with the Buy American Act and The American Recovery and Reinvestment Act. For more information, visit watts.com.



Options

Suffix

- LL – Latch-Lok handle to lock in open or closed position
- LC – Latch-Lok handle to lock in closed position only
- OV – High profile safety oval handle
- RH – Round handle

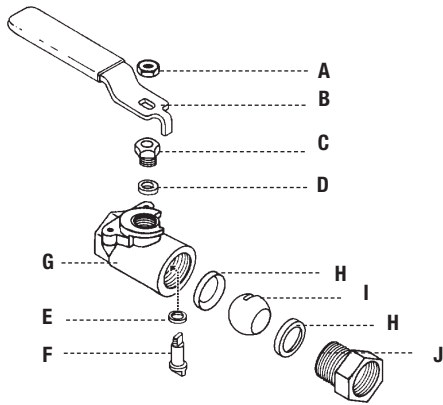
Electric or pneumatic actuators available consult Watts

Pressure – Temperature

Temperature Range: 50°F – 120°F (10°C – 49°C)

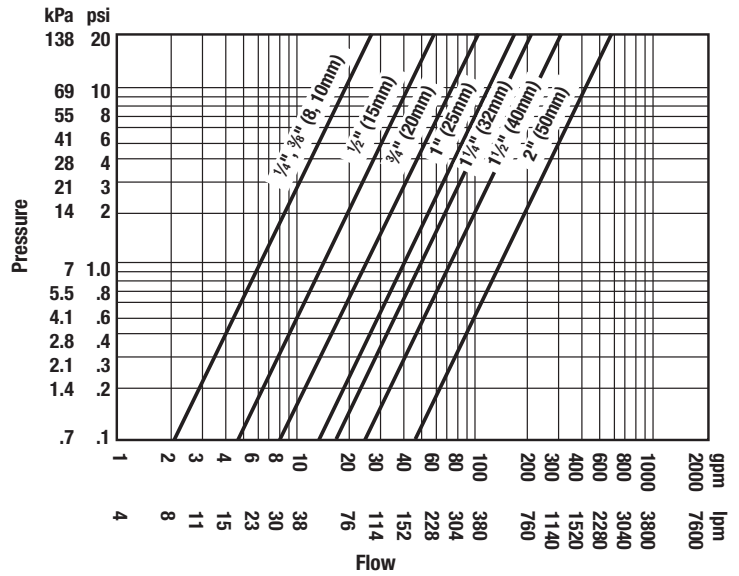
Maximum Working Pressure: 175psi (12 bars)

Materials



A	Handle Nut	Zinc Plated Carbon Steel
B	Handle	Zinc Plated Carbon Steel with Vinyl Insulator
C	Packing Nut	Brass ASTM B16, C36000
D	Stem Packing	PTFE
E	Thrust Washer	PTFE
F	Stem	Brass ASTM B16, C36000
G	Body	Bronze ASTM B584, C84400
H	Seats	Virgin PTFE
I	Ball	Chrome Plated Brass ASTM B16, C36000
J	Adapter	Brass ASTM B16, C36000

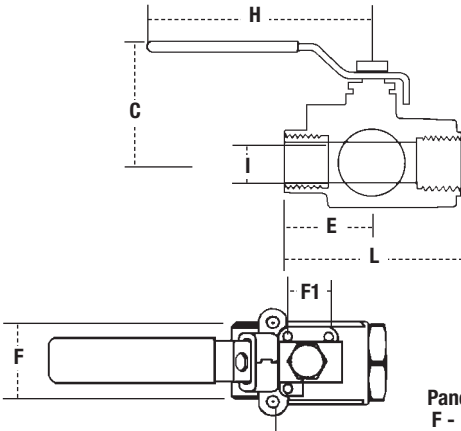
Pressure Drop vs. Flow



Valve Torque Rating

SIZE DN		RATING	OPERATING TORQUE	
in.	mm	Cv	in./lbs.	N-m
1/4	8	6.3	60	6.8
3/8	10	6.3	60	6.8
1/2	15	15	60	6.8
3/4	20	25	90	10.2
1	25	40	150	16.9
1 1/4	32	50	200	22.6
1 1/2	40	75	250	28.2
2	50	110	320	36.2

Dimensions — Weights



Panel/Actuator Hole
F - 1/4" - 1" (8 - 25) 10 - 24 UNC Threads
F1 - 1 1/4" - 2" (32 - 50mm) 1/4" - 20 UNC Threads

SIZE (DN)		DIMENSIONS								WEIGHT			
in.	mm	C Center to Handle		E Radius of Center to End		H End to End		I Ball Orifice		L End to End		lbs.	kg.
		in.	mm	in.	mm	in.	mm	in.	mm	in.	mm		
1/4	8	3/8	9.5	1 1/16	26.9	3 3/4	95.3	3/8	9.5	2 1/16	52.4	.58	.26
3/8	10	3/8	9.5	1 1/16	26.9	3 3/4	95.3	3/8	9.5	2 1/16	52.4	.60	.27
1/2	15	1/2	13.0	1 1/8	28.6	3 3/4	95.3	1/2	13.0	2 1/4	57.2	.63	.28
3/4	20	1 1/16	17.4	1 7/16	36.5	3 3/4	95.3	1 1/16	17.4	2 13/16	71.4	1.19	.54
1	25	7/8	22.2	1 11/16	42.8	4 1/2	114.3	7/8	22.2	3 7/16	87.3	2.13	.96
1 1/4	32	1	25.4	2	50.8	5 1/2	139.7	1	25.4	3 3/8	98.4	3.25	1.47
1 1/2	40	1 1/4	31.8	2 1/8	53.4	5 1/2	139.7	1 1/4	31.8	4 1/4	108.0	4.13	1.87
2	50	1 1/2	38.1	2 1/2	63.5	8	203.2	1 1/2	38.1	4 7/8	123.8	6.38	2.89



A Watts Water Technologies Company



ISO 9001-2008
CERTIFIED

USA: No. Andover, MA • Tel. (978) 688-1811 • Fax: (978) 794-1848 • www.watts.com
 Canada: Burlington, ONT. • Tel. (905) 332-4090 • Fax: (905) 332-7068 • www.wattscanada.ca