

For Health Hazard Applications

Job Name _____

Contractor _____

Job Location _____

Approval _____

Engineer _____

Contractor's P.O. No. _____

Approval _____

Representative _____

Series N388

Hot or Cold Water Anti-Siphon Vacuum Breaker

Sizes: 1/4" and 3/8" (8 and 10mm)

Bottom Inlet and Outlet Connections

Series N388 represents a new line of vacuum breakers designed to prevent back-siphonage of contaminated water into the potable water supply.

They feature a lightweight, durable "disc float" suitable for temperatures up to 180°F (82°C) which closes the atmospheric vent to prevent spilling under all rates of flow. They are ideally recommended for low flow installations such as laboratory equipment which use small amounts of water. They also contain a durable silicone disc which has high heat and water hammer shock resistance and assures tight seating with the lightest of seating contact.

Full Size Orifice - All Series N388 valves have a full-size orifice to assure pipe size capacity. Water passages are streamline to provide high water flow with minimal pressure loss.

Features

- Brass body
- Full size orifice for maximum flow
- Lightweight disc assembly prevents spilling under all rates of flow
- Bronze, satin chrome and polished chrome finish available

Models

- N388 Bronze
- N388-SC Satin Chrome
- N388-C Polished Chrome

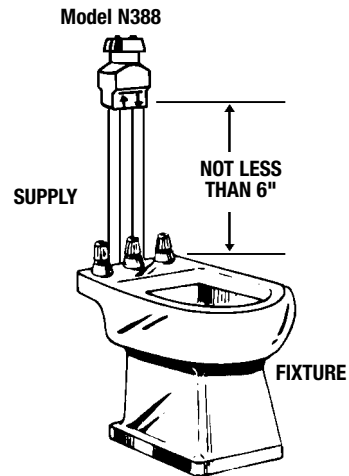
Applications

- Bidets
- Bottle Washers
- Chemical Dispenser
- Dishwasher
- Photographic Tanks
- Shampoo Sinks
- Soap Dispensers



N388

Installation



Specifications

For Anti-Siphon Vacuum Breakers

An atmospheric type anti-siphon vacuum breaker shall be installed where indicated on the plans to prevent the back-siphonage of contaminated water. The device shall include lightweight disc float with silicone disc for tight seating. This device is not to be used under continuous pressure or where there is a possibility that a back pressure condition may develop. The device shall meet the requirement of ASSE Standard 1001: CSA B64.1.1. Watts Regulator Company Series N388.

IMPORTANT NOTE: Vacuum Breakers are not designed, tested or approved to protect against backpressure backflow. For protection against backpressure backflow, install Watts No. 909/009 Series Reduced Pressure Principle Backflow Preventers.

Watts product specifications in U.S. customary units and metric are approximate and are provided for reference only. For precise measurements, please contact Watts Technical Service. Watts reserves the right to change or modify product design, construction, specifications, or materials without prior notice and without incurring any obligation to make such changes and modifications on Watts products previously or subsequently sold.



Materials

Body: Bronze
Disc: Silicone

Pressure — Temperature

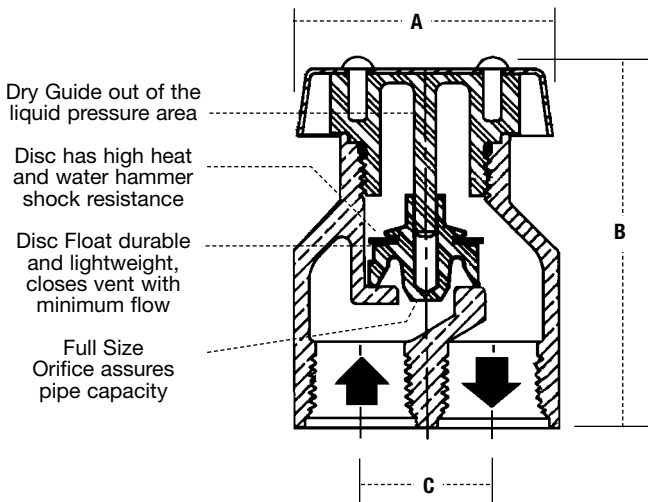
Maximum Temperature: 180°F (82°C)
Maximum Working Pressure: 125psi (8.6 bar)

Approvals

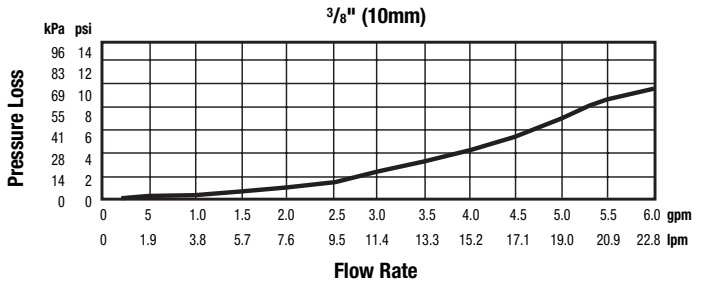
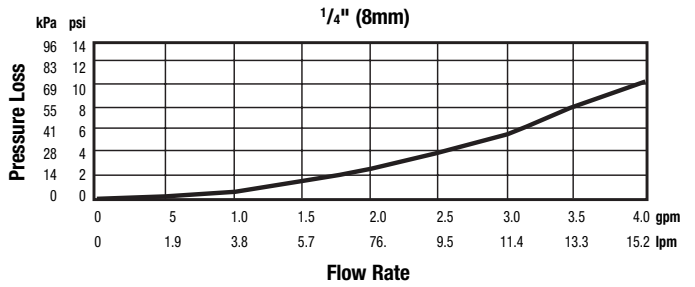


**IMPORTANT: INQUIRE WITH GOVERNING AUTHORITIES
FOR LOCAL INSTALLATION REQUIREMENTS**

Dimensions — Weights



Capacities



SIZE (DN)		DIMENSIONS				WEIGHT	
in.	mm	A		B		C	
		in.	mm	in.	mm	in.	mm
1/4	8	1 3/4	44	2 5/16	59	3/4	19
3/8	10	1 3/4	44	2 3/8	60	7/8	22
						lbs.	kg.
						.50	.2
						.75	.3

This device is not to be used under continuous pressure. For continuous pressure application, specify Watts No. 800 Series pressure type vacuum breakers. Vacuum breakers are not designed, tested or approved to protect against backpressure backflow. For protection against backpressure backflow, install Watts No. 909 Series reduced pressure principle backflow preventers.

Since atmospheric-type vacuum breakers are subject to normal maintenance and replacement, they should be located where emergency water spillage will create no problems and where they can be accessible for inspection or servicing.



Water Safety & Flow Control Products



**ISO 9001-2000
CERTIFIED**

USA: 815 Chestnut St., No. Andover, MA 01845-6098; www.watts.com

Canada: 5435 North Service Rd., Burlington, ONT. L7L 5H7; www.wattscanada.ca