

For Residential and Commercial Applications

Job Name _____
 Job Location _____
 Engineer _____
 Approval _____

Contractor _____
 Approval _____
 Contractor's P.O. No. _____
 Representative _____

Series A200
“Flow-Through” Trap Primer

Size: 1/2" (15mm)

The Watts A200 is a unique new design which assures delivery of water to the trap to assure against evaporation of the water seal. No. A200 operates by the water flow acting against the main reaction disc (1), which forces the reaction disc in the upward position and removes the trap disc (2) from the plastic trap seat (3). A spurt of water is then delivered to the trap. However, with increased flow, the main reaction disc (1) continues to lift and seals off the closing disc (4) to stop flow to the trap. When the flow through the valve is stopped, the trap disc (2) is returned to the closed position, and in the process, delivers a spurt of water to the trap before closing off.

The importance of this design is that a complete flow cycle through the valve from open to close will actuate the primer twice with two definite pulses; once on opening and once on closing, thus providing a tremendous water savings over competitive models. This is an exclusive Watts feature.

Options

- A200T Threaded Connections
- A200S Union Solder Ends

Features

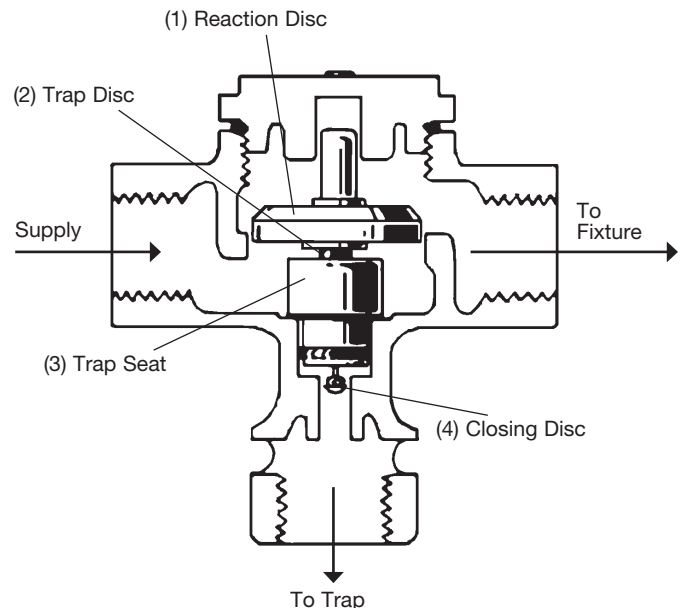
- Complete flow cycle operates valve twice
- Built in air gap

Specifications

A trap primer shall be installed in plumbing systems to prevent floor drain traps from losing their water seal by evaporation. Maintaining the water seal will prevent the backflow of sewer gas into the buildings or rooms where the traps are installed. Trap primers are specified in various plumbing codes such as IAPMO, Southern Standard Building Code, National Standard Plumbing Code and many state and local plumbing codes in U.S.A. and Canada. The device shall meet the requirements of ASSE Standard 1018. Watts Series A200T (threaded), or A200S (solder).



Model A200T



Watts product specifications in U.S. customary units and metric are approximate and are provided for reference only. For precise measurements, please contact Watts Technical Service. Watts reserves the right to change or modify product design, construction, specifications, or materials without prior notice and without incurring any obligation to make such changes and modifications on Watts products previously or subsequently sold.



Materials

Bronze body
Celcon seat and disc

Pressure

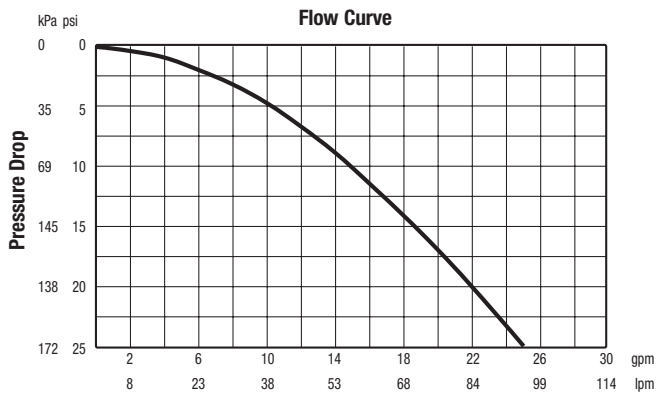
Maximum supply pressure: 125 psi.
Minimum supply pressure must exceed 25 psi.
For proper trap priming, minimum flows must exceed those stated in flow chart.

Standards



Tested and approved in conformance with Standard 1018 of the American Society of Sanitary Engineers. Listed by IAPMO.

Capacity

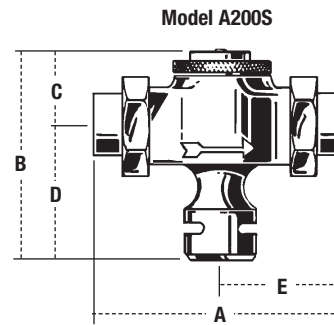
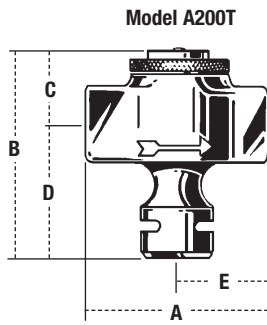


Flow Chart

INLET PRESSURE	25	50	75	100	125
*GPM	1.1	1.6	2.0	2.3	2.4
*LPM	4.2	6.1	7.6	8.7	9.1

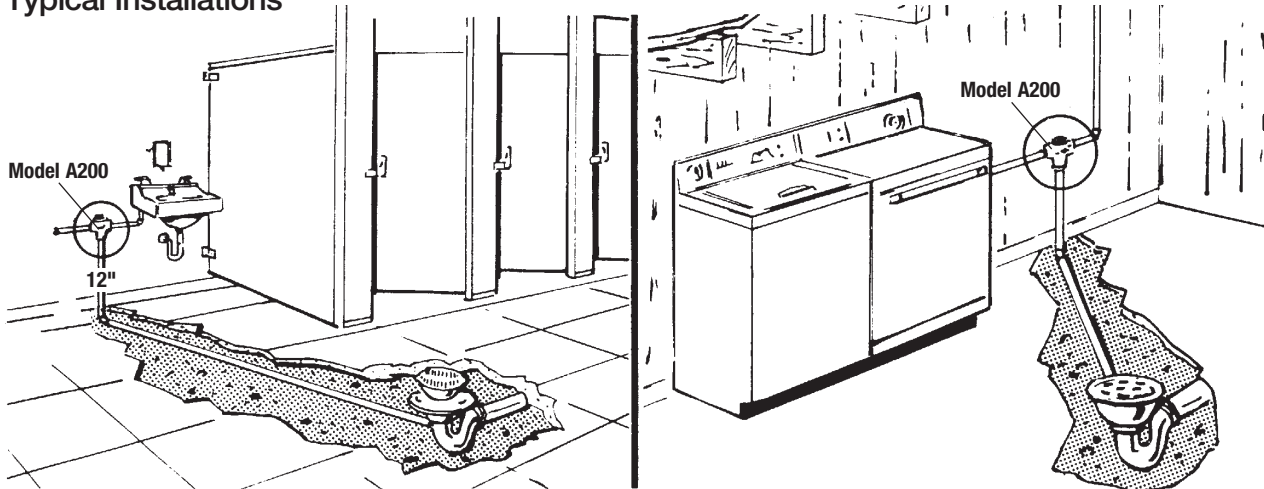
*Minimum cold flow required for proper trap priming.

Dimensions – Weights



VALVE NO.	SIZE (DN)		DIMENSIONS									WEIGHT		
	in.	mm	A		B		C		D		E		lbs.	kgs.
A200T	1/2	15	2 15/16	74.6	3 3/32	78.6	1 5/32	29.4	1 15/16	49.2	1 15/32	37.3	1.0	.45
A200S	1/2	15	4 1/8	104.8	3 3/32	78.6	1 5/32	29.4	1 15/16	49.2	2 1/16	52.4	1.1	.50

Typical Installations



A Watts Water Technologies Company



ISO 9001-2008
CERTIFIED

USA: No. Andover, MA • Tel. (978) 688-1811 • Fax: (978) 794-1848 • www.watts.com
Canada: Burlington, ONT. • Tel. (905) 332-4090 • Fax: (905) 332-7068 • www.wattscanada.ca