

## For Residential and Commercial Applications

Job Name \_\_\_\_\_

Contractor \_\_\_\_\_

Job Location \_\_\_\_\_

Approval \_\_\_\_\_

Engineer \_\_\_\_\_

Contractor's P.O. No. \_\_\_\_\_

Approval \_\_\_\_\_

Representative \_\_\_\_\_

# Series 144

## Process Boiler Water Feeder with External Water Feed Connections

### Size: 1/2" (15mm)

Series 144 Process Boiler Water Feeders are used in heating applications on pressing machines and other small process boilers. This series has external water feed connections: a 1/2" (15mm) NPT female water feed connection and a 1" (25mm) NPT female float chamber connection. Water is fed automatically as needed to maintain the correct water operating level in the boiler. The entire unit is simple in design and operation, easy to install and inexpensive to operate. The simple construction of the feed valve permits quick and easy cleaning should it become fouled by dirt in the water supply.

### Features

- External water feed connections:
  - 1/2" (15mm) NPT female water feed connection
  - 1" (25mm) NPT female float chamber connection
- Automatic water feed
- Strainer (Model 144S)
- Easy cleaning

### Models

144-without strainer

144S-with strainer

### Pressure-Temperature

**Maximum Working Pressure:** 100psi (6.9 bar) Steam

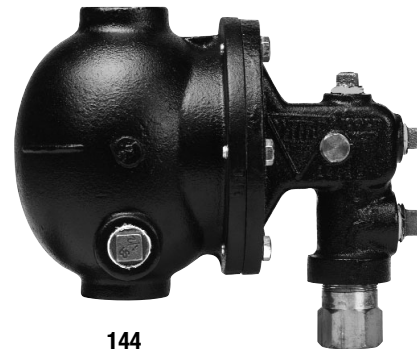
**Maximum Working Pressure:** 145psi (10.0 bar) Water

The water pressure must be at least 10psi (69 kPa) higher than steam pressure

### Materials

Body: Cast Iron

Strainer: Bronze

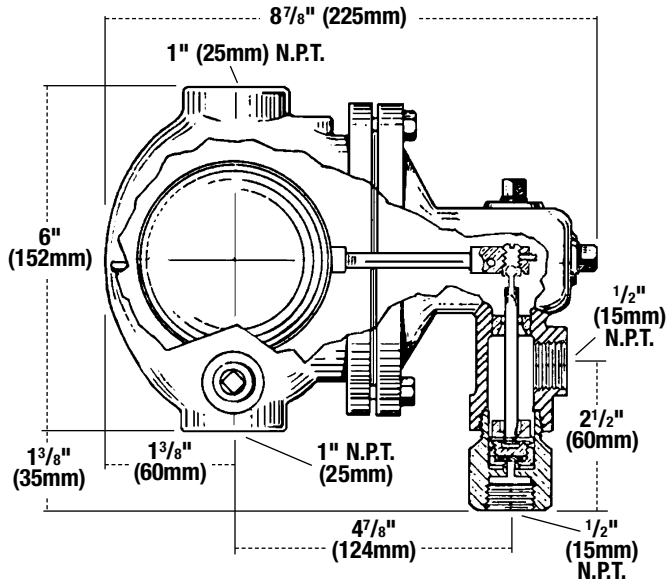


144

# WATTS®

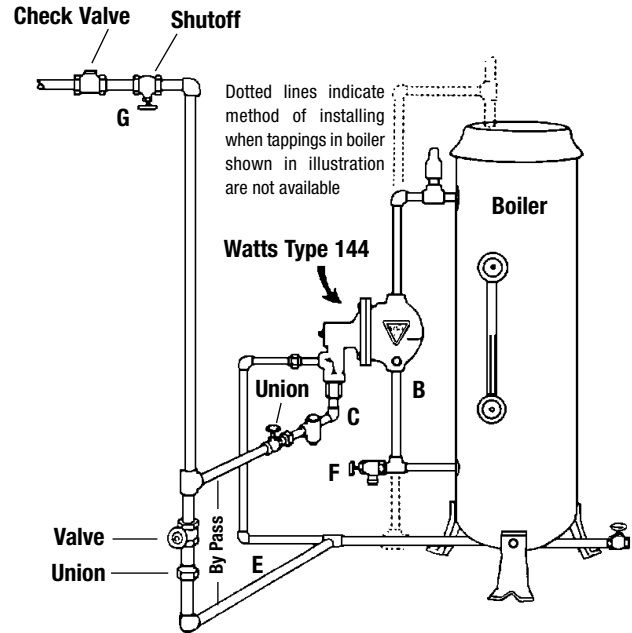
Watts product specifications in U.S. customary units and metric are approximate and are provided for reference only. For precise measurements, please contact Watts Technical Service. Watts reserves the right to change or modify product design, construction, specifications, or materials without prior notice and without incurring any obligation to make such changes and modifications on Watts products previously or subsequently sold.

## Dimensions



## Capacity

DIFF. BETWEEN STEAM AND WATER PRESSURE	BOILER HORSE POWER
10	8
20	13
30	16
40	18
50	19



### CALIFORNIA PROPOSITION 65 WARNING

**WARNING:** This product contains chemicals known to the State of California to cause cancer and birth defects or other reproductive harm. (California law requires this warning to be given to customers in the State of California.)

For more information: [www.watts.com/prop65](http://www.watts.com/prop65)

# WATTS®

Water Safety & Flow Control Products

ISO 9001-2000  
CERTIFIED

USA: 815 Chestnut St., No. Andover, MA 01845-6098; [www.watts.com](http://www.watts.com)

Canada: 5435 North Service Rd., Burlington, ONT. L7L 5H7; [www.wattscanada.ca](http://www.wattscanada.ca)