

For Commercial & Residential Applications

Job Name _____
 Job Location _____
 Engineer _____
 Approval _____

Contractor _____
 Approval _____
 Contractor's P.O. No. _____
 Representative _____

LEAD FREE*

Series LFE300M
Double Handle Lavatory Faucets

Features

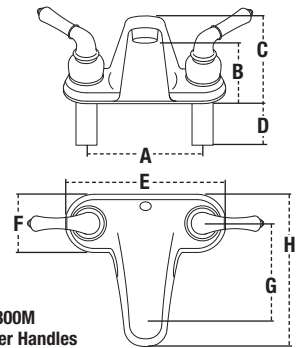
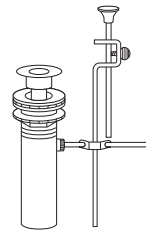
- Lead Free* Brass Body
- Classic European design
- 4" Centers
- Washerless cartridge
- Double handle operation

The Lead Free* E300 are constructed to comply with Lead Free* installation requirements.

*The wetted surface of this product contacted by consumable water contains less than one quarter of one percent (0.25%) of lead by weight.



Model LFE300M



LFE300M
 Metal Lever Handles

MODEL	✓ TO SUBMIT	DESCRIPTION	DIMENSIONS															
			A in mm	B in mm	C in mm	D in mm	E in mm	F in mm	G in mm	H in mm								
With Chrome Plated Pop-Up																		
LFE300M		metal lever handles	4	103	1 ⁹ / ₁₆	40	3	76	2	51	6	153	2 ¹ / ₈	54	4 ⁷ / ₈	124	6 ¹ / ₁₆	154

Watts product specifications in U.S. customary units and metric are approximate and are provided for reference only. For precise measurements, please contact Watts Technical Service. Watts reserves the right to change or modify product design, construction, specifications, or materials without prior notice and without incurring any obligation to make such changes and modifications on Watts products previously or subsequently sold.



A Watts Water Technologies Company

USA: 815 Chestnut St., No. Andover, MA 01845-6098; www.watts.com
 Canada: 5435 North Service Rd., Burlington, ONT. L7L 5H7; www.wattscanada.ca