

For Commercial & Residential Applications

Job Name _____

Contractor _____

Job Location _____

Approval _____

Engineer _____

Contractor's P.O. No. _____

Approval _____

Representative _____

Series 93427

Ezy Touch™ Brass Bath Drain

Features

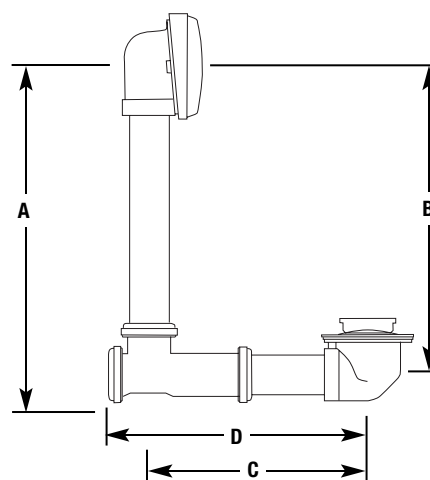
- Chrome plated trim
- Individually boxed in a sturdy corrugated box
- 17 gauge with brass nuts
- Reamed tee
- 1½"
- Ezy Touch™ trim



93427

Models

PRODUCT SUBMITTAL		
Model #	✓ To Submit	QTY
934273RT		
93427R9		
93427R14		
93427R18		



MODEL	DESCRIPTION	DIMENSIONS								FINISH
		A		B		C		D		
	standard overflow tube	in	mm	in	mm	in	mm	in	mm	
934273RT		15 - 15½	381 - 394	14 - 14½	356 - 368	7 - 9	178 - 229	8½ - 10½	216 - 267	Chrome plated trim
93427R9	9" overflow tube	13 - 13½	330 - 343	12 - 12½	305 - 318	7 - 9	178 - 229	8½ - 10½	216 - 267	Chrome plated trim
93427R14	14" overflow tube	17 - 17½	432 - 445	16 - 16½	406 - 419	7 - 9	178 - 229	8½ - 10½	216 - 267	Chrome plated trim
93427R18	18" overflow tube	21 - 21½	533 - 546	20 - 20½	508 - 521	11¼ - 13½	286 - 337	13¼ - 15	337 - 381	Chrome plated trim

Watts product specifications in U.S. customary units and metric are approximate and are provided for reference only. For precise measurements, please contact Watts Technical Service. Watts reserves the right to change or modify product design, construction, specifications, or materials without prior notice and without incurring any obligation to make such changes and modifications on Watts products previously or subsequently sold.

WATTS®

Brass & Tubular Products

USA: 815 Chestnut St., No. Andover, MA 01845-6098; www.watts.com

Canada: 5435 North Service Rd., Burlington, ONT. L7L 5H7; www.wattscanada.ca

ES-WB&T-93427 0712

© Watts Regulator Company 2007