

**For Commercial & Residential Applications**

Job Name \_\_\_\_\_

Contractor \_\_\_\_\_

Job Location \_\_\_\_\_

Approval \_\_\_\_\_

Engineer \_\_\_\_\_

Contractor's P.O. No. \_\_\_\_\_

Approval \_\_\_\_\_

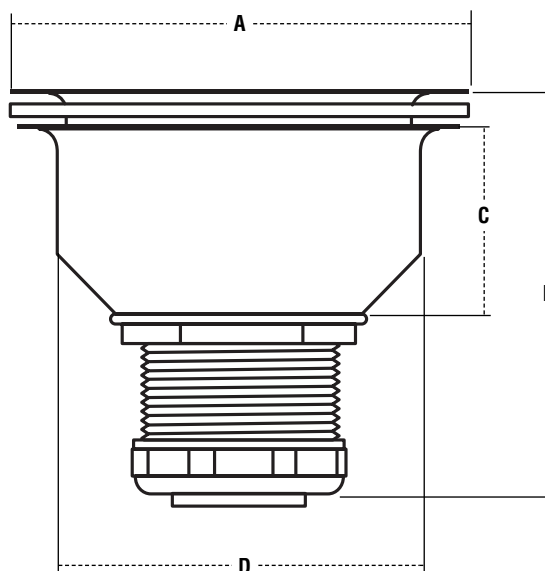
Representative \_\_\_\_\_

# Series 2-7-3

## Sink Strainers

### Features

- Stainless steel
- Cup style
- Brass nut
- Ball-lock basket



MODEL	✓ TO SUBMIT	DESCRIPTION	DIMENSIONS							
			A		B		C		D	
			<i>in</i>	<i>mm</i>	<i>in</i>	<i>mm</i>	<i>in</i>	<i>mm</i>	<i>in</i>	<i>mm</i>
2-7-3		Stainless steel strainer, cup style, brass nut ball-loc basket	4 <sup>7</sup> / <sub>16</sub>	112	3 <sup>13</sup> / <sub>16</sub>	97	1 <sup>13</sup> / <sub>16</sub>	46	3 <sup>1</sup> / <sub>2</sub>	88



815 Chestnut Street • N. Andover, MA 01845  
 Tel: 978.688.1811 Fax: 978.794.1848  
 www.wattsbrass-tubular.com

Watts product specifications in U.S. customary units and metric are approximate and are provided for reference only. For precise measurements, please contact Watts Technical Service. Watts reserves the right to change or modify product design, construction, specifications, or materials without prior notice and without incurring any obligation to make such changes and modifications on Watts products previously or subsequently sold.