

For Commercial & Residential Applications

Job Name _____
 Job Location _____
 Engineer _____
 Approval _____

Contractor _____
 Approval _____
 Contractor's P.O. No. _____
 Representative _____

Model 4-3-1 Laundry Tray Faucet

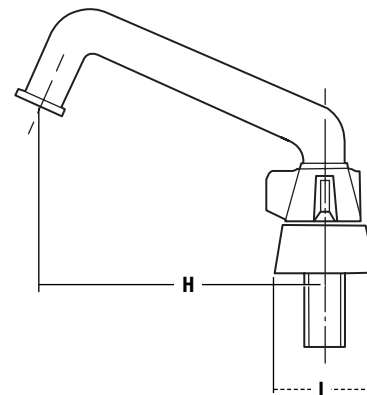
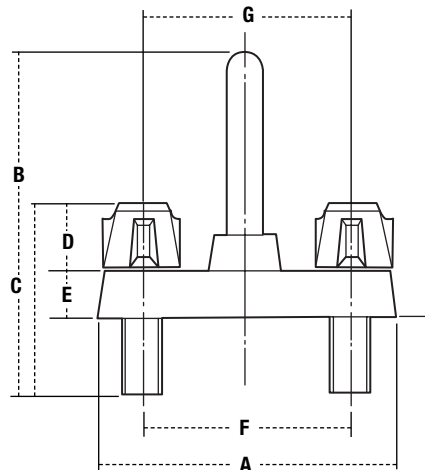
Features

- 4" Centers
- Tubular brass spout
- Renewable seats
- Chrome-plated brass
- Deck mount



Model 4-3-1

Approvals



MODEL	DESCRIPTION	DIMENSIONS																			
		A		B		C		D		E		F		G		H		I		J	
		in.	mm	in.	mm	in.	mm	in.	mm	in.	mm	in.	mm	in.	mm	in.	mm	in.	mm	in.	mm
4-3-1	Laundry Faucet	7	178	5 1/16	131	3 3/4	96	1 15/16	49	1 9/16	40	3 9/16	91	3	76	7 1/16	180	1 1/4	32	1/4	7

Watts product specifications in U.S. customary units and metric are approximate and are provided for reference only. For precise measurements, please contact Watts Technical Service. Watts reserves the right to change or modify product design, construction, specifications, or materials without prior notice and without incurring any obligation to make such changes and modifications on Watts products previously or subsequently sold.



Brass & Tubular Products

USA: 815 Chestnut St., No. Andover, MA 01845-6098; www.watts.com
 Canada: 5435 North Service Rd., Burlington, ONT. L7L 5H7; www.wattscanada.ca