

For Commercial & Residential Applications

Job Name _____
 Job Location _____
 Engineer _____
 Approval _____

Contractor _____
 Approval _____
 Contractor's P.O. No. _____
 Representative _____

Series 493

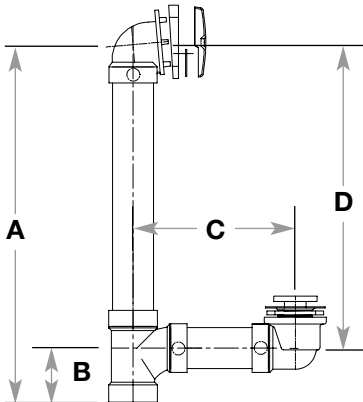
Ezy Touch™ Schedule 40 Plastic Bath Drains

Features

- Chrome plated or polished brass PVD trim available
- UPC approved
- Available in ABS & PVC
- Includes overflow tube and tee



49333PVD



PRODUCT SUBMITTAL		
Model #	✓ To Submit	QTY
4933333		
49333PVD		
4933666		
49336PVD		

MODEL	DESCRIPTION	DIMENSIONS								TRIM
		A		B		C		D		
		in.	mm	in.	mm	in.	mm	in.	mm	
493333	1 1/2" ABS black plastic	16 1/2	419	2 1/2	64	7 1/2	191	14	356	Chrome plated
49333PVD	1 1/2" ABS black plastic	16 1/2	419	2 1/2	64	7 1/2	191	14	356	Polished brass PVD
4933666	1 1/2" PVC white plastic	16 1/2	419	2 1/2	64	7 1/2	191	14	356	Chrome plated
49336PVD	1 1/2" PVC white plastic	16 1/2	419	2 1/2	64	7 1/2	191	14	356	Polished brass PVD



Watts product specifications in U.S. customary units and metric are approximate and are provided for reference only. For precise measurements, please contact Watts Technical Service. Watts reserves the right to change or modify product design, construction, specifications, or materials without prior notice and without incurring any obligation to make such changes and modifications on Watts products previously or subsequently sold.

100 Watts Road • Spindale, NC 28160
 Tel: (828) 286-4151 Fax: (828) 286-0729
www.wattsbrass-tubular.com

For Commercial & Residential Applications

Job Name _____
 Job Location _____
 Engineer _____
 Approval _____

Contractor _____
 Approval _____
 Contractor's P.O. No. _____
 Representative _____

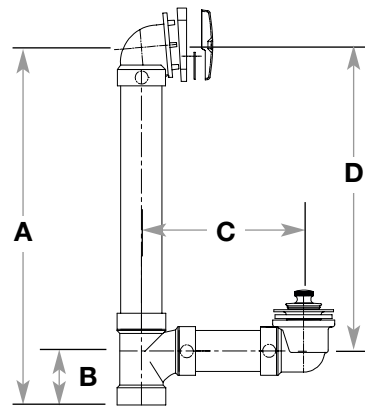
Series 493
Twist'N Close™ Schedule 40
Plastic Bath Drains

Features

- Chrome plated or polished brass PVD trim available
- UPC approved
- Available in ABS & PVC
- Includes overflow tube and tee



49353PVD



PRODUCT SUBMITTAL		
Model #	✓ To Submit	QTY
4935333		
493533CM		
49353PVD		
4935666		
493566CM		
49356PVD		

MODEL	DESCRIPTION	DIMENSIONS								TRIM
		A		B		C		D		
		in.	mm	in.	mm	in.	mm	in.	mm	
4935333	1 1/2" ABS black plastic w/chrome plated brass mechanism	16 1/2	419	2 1/2	64	7 1/2	191	14	356	Chrome plated
493533CM	1 1/2" ABS black plastic w/chrome plated cast metal mechanism	16 1/2	419	2 1/2	64	7 1/2	191	14	356	Chrome plated
49353PVD	1 1/2" ABS black plastic	16 1/2	419	2 1/2	64	7 1/2	191	14	356	Polished brass PVD
4935666	1 1/2" PVC white plastic w/chrome plated brass mechanism	16 1/2	419	2 1/2	64	7 1/2	191	14	356	Chrome plated
493566CM	1 1/2" PVC white plastic w/chrome plated cast metal mechanism	16 1/2	419	2 1/2	64	7 1/2	191	14	356	Chrome plated
49356PVD	1 1/2" PVC white plastic	16-1/2	419	2 1/2	64	7 1/2	191	14	356	Polished brass PVD

Watts product specifications in U.S. customary units and metric are approximate and are provided for reference only. For precise measurements, please contact Watts Technical Service. Watts reserves the right to change or modify product design, construction, specifications, or materials without prior notice and without incurring any obligation to make such changes and modifications on Watts products previously or subsequently sold.



100 Watts Road • Spindale, NC 28160
 Tel: (828) 286-4151 Fax: (828) 286-0729
 www.wattsbrass-tubular.com