

For Commercial & Residential Applications

Job Name _____
 Job Location _____
 Engineer _____
 Approval _____

Contractor _____
 Approval _____
 Contractor's P.O. No. _____
 Representative _____

Series 930

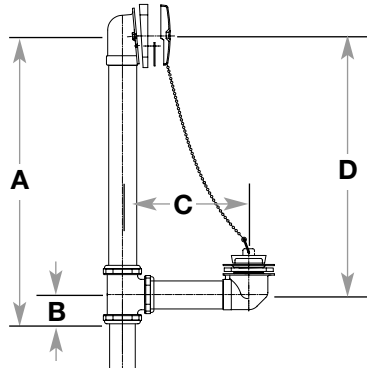
Brass Drain & Overflow

Features

- A 1 1/2" or 1 3/8" drain & overflow for both 1 1/2" and 1 3/8" systems
- All brass construction
- Two-hole face plate with two screws, chain & stopper
- Exposed trim is chrome plated



930203



PRODUCT SUBMITTAL		
Model #	✓ To Submit	QTY
930203		
9312033		

MODEL	DESCRIPTION	A		B		C		D	
		in.	mm	in.	mm	in.	mm	in.	mm
930203	Unplated	19 3/4	502	5 7/16	138	6 1/2	165	13 3/4	349
9312033	Satin plated	19 3/4	502	5 7/16	138	6 1/2	165	13 3/4	349