

For Commercial & Residential Applications

Job Name _____
 Job Location _____
 Engineer _____
 Approval _____

Contractor _____
 Approval _____
 Contractor's P.O. No. _____
 Representative _____

Series 654
Champion™ Sink Strainers

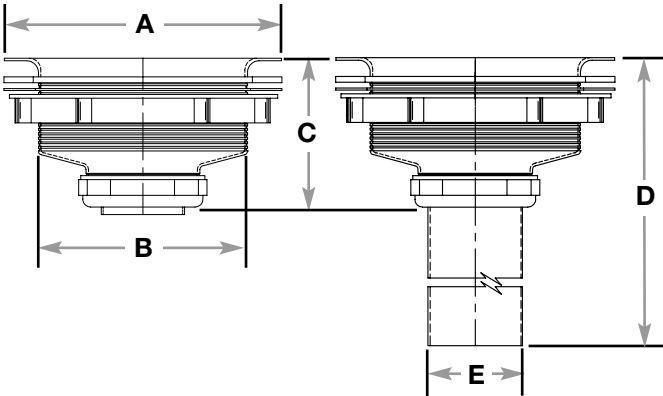


Model 654003

Features

- Deep cut 14 pitch locknut threads
- Fits 3 1/2" – 4" drain openings
- Spring steel clip closure for water-tight leak-proof basket seal
- Chrome plated brass knob

PRODUCT SUBMITTAL		
Model #	✓ To Submit	QTY
654003		
655003ST		



(Model 654003ST only)

MODEL	DESCRIPTION	DIMENSIONS										FINISH
		A		B		C		D		E		
		in	mm	in	mm	in	mm	in	mm	in	mm	
654003	—	4 7/16	113	3 11/32	85	2 3/8	60	—	—	—	—	Stainless Steel
654003ST	w/ 1 1/2" x 4" tailpiece	4 7/16	113	3 11/32	85	2 3/8	60	6 3/8	162	1 1/2	38	Stainless Steel



Watts product specifications in U.S. customary units and metric are approximate and are provided for reference only. For precise measurements, please contact Watts Technical Service. Watts reserves the right to change or modify product design, construction, specifications, or materials without prior notice and without incurring any obligation to make such changes and modifications on Watts products previously or subsequently sold.

100 Watts Road • Spindale, NC 28160
 Tel: (828) 286-4151 Fax: (828) 286-0729
 www.wattsbrass-tubular.com