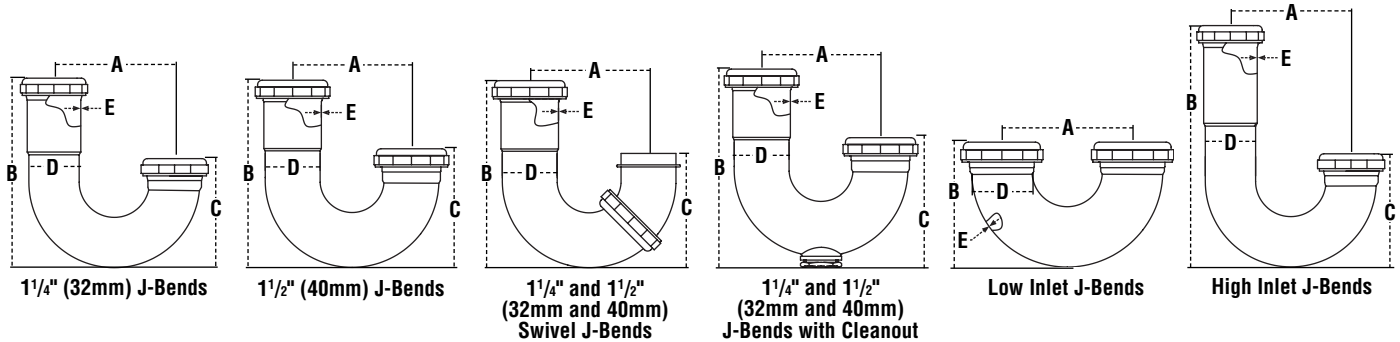


For Commercial & Residential Applications

Job Name _____
 Job Location _____
 Engineer _____
 Approval _____

Contractor _____
 Approval _____
 Contractor's P.O. No. _____
 Representative _____

Metal J-Bends



MODEL	✓ TO SUBMIT	DESCRIPTION	DIMENSIONS								FINISH	
			A		B		C		D			E
			in	mm	in	mm	in	mm	in	mm		
1 1/4" (32mm) J-Bends												
400 223		1 1/4" x 1 1/4" (32 x 32mm)	3	76	4 11/16	119	2 11/16	68	1 1/4	32	22 GA.	Chrome
400 222		1 1/4" x 1 1/4" (32 x 32mm)	3	76	4 11/16	119	2 11/16	68	1 1/4	32	22 GA.	Satin
402 203		1 1/4" x 1 1/4" (32 x 32mm)	3	76	5	127	2 9/16	65	1 1/4	32	20 GA.	Chrome
404 173		1 1/4" x 1 1/4" (32 x 32mm)	3	76	5	127	2 9/16	65	1 1/4	32	17 GA.	Chrome
1 1/2" (40mm) J-Bends												
401 222		1 1/2" x 1 1/2" (40 x 40mm)	3 1/4	83	4 15/16	125	3 1/8	79	1 1/2	38	22 GA.	Satin
401 221		1 1/2" x 1 1/2" (40 x 40mm)	3 1/4	83	4 15/16	125	3 1/8	79	1 1/2	38	22 GA.	Rough Brass
403 203		1 1/2" x 1 1/2" (40 x 40mm)	3 1/4	83	5 1/2	140	3	76	1 1/2	38	20 GA.	Chrome
403 202		1 1/2" x 1 1/2" (40 x 40mm)	3 1/4	83	5 1/2	140	3	76	1 1/2	38	20 GA.	Satin
405 173		1 1/2" x 1 1/2" (40 x 40mm)	3 1/4	83	5 1/2	140	3	76	1 1/2	38	17 GA.	Chrome
401 223		1 1/2" x 1 1/2" (40 x 40mm)	3 1/4	83	4 15/16	125	3 1/8	79	1 1/2	38	22 GA.	Chrome
1 1/4" and 1 1/2" (32mm and 40mm) Swivel J-Bends												
416 222		1 1/2" x 1 1/2" (40 x 40mm)	3 1/4	83	4 15/16	125	3	76	1 1/2	38	22 GA.	Satin
420 172		1 1/2" x 1 1/2" (40 x 40mm)	3 1/4	83	5 1/2	140	3	76	1 1/2	38	17 GA.	Satin
415 222		1 1/4" x 1 1/4" (32 x 32mm)	3	76	5 1/8	130	2 13/16	71	1 1/4	31	22 GA.	Satin
417 202		1 1/4" x 1 1/4" (32 x 32mm)	3	76	5 1/8	130	2 13/16	71	1 1/4	31	20 GA.	Satin
418 202		1 1/2" x 1 1/2" (32 x 32mm)	3 1/4	83	5 1/2	140	3	76	1 1/2	38	20 GA.	Satin
1 1/4" and 1 1/2" (32mm and 40mm) J-Bends with Cleanout												
407 203		1 1/2" x 1 1/2" (40 x 40mm) w/Cleanout	3 1/4	83	5 1/16	144	3 3/8	86	1 1/2	38	20 GA.	Chrome
407 173		1 1/2" x 1 1/2" (40 x 40mm) w/Cleanout	3 1/4	83	5 1/16	144	3 3/8	86	1 1/2	38	17 GA.	Chrome
406 173		1 1/4" x 1 1/4" (32 x 32mm) w/Cleanout	3	76	5 5/16	135	2 3/4	70	1 1/4	32	17 GA.	Chrome
Low Inlet J-Bends												
405 173LI		1 1/2" (40mm) Low Inlet	3 1/4	83	3 3/16	81	—	—	1 1/2	38	17 GA.	Chrome
404 173LI		1 1/4" (32mm) Low Inlet	3	76	2 15/16	75	—	—	1 1/4	32	17 GA.	Chrome
High Inlet J-Bends												
402 203HI		1 1/4" (32mm) Hi Inlet	3	76	6	152	2 13/16	71	1 1/4	32	20 GA.	Chrome



815 Chestnut Street • N. Andover, MA 01845
 Tel: 978.688.1811 Fax: 978.794.1848
 www.wattsbrass-tubular.com

Watts product specifications in U.S. customary units and metric are approximate and are provided for reference only. For precise measurements, please contact Watts Technical Service. Watts reserves the right to change or modify product design, construction, specifications, or materials without prior notice and without incurring any obligation to make such changes and modifications on Watts products previously or subsequently sold.