

## For Non-Health Hazard Applications

Job Name \_\_\_\_\_

Contractor \_\_\_\_\_

Job Location \_\_\_\_\_

Approval \_\_\_\_\_

Engineer \_\_\_\_\_

Contractor's P.O. No. \_\_\_\_\_

Approval \_\_\_\_\_

Representative \_\_\_\_\_

# Series 757a, 757Na Double Check Valve Assemblies

**Sizes: 2½" – 6" (65 – 150mm)**

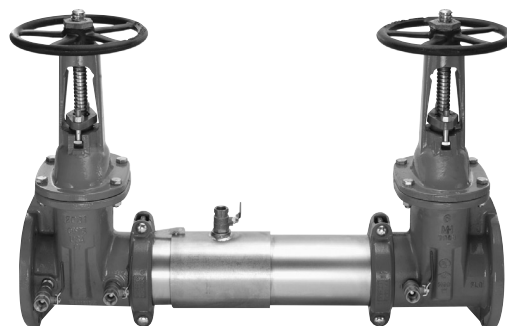
Series 757a, 757Na Double Check Valve Assemblies are used to prevent backflow of non-health hazard pollutants that are objectionable but not toxic, from entering the potable water supply system. The 757a, 757Na may be installed under continuous pressure service and may be subjected to backpressure and backsiphonage. Series 757a, 757Na consists of two independently operating valves, two shutoff valves, and four test cocks.

### Features

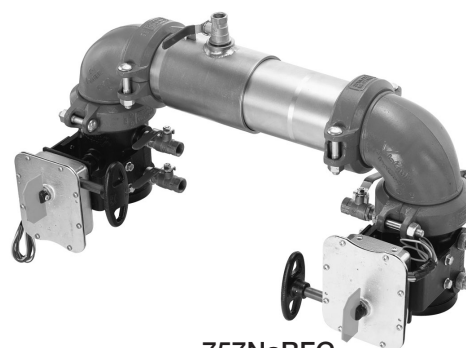
- Extremely compact design
- 70% lighter than traditional designs
- 304 (Schedule 40) stainless steel housing & sleeve
- Groove fittings allow integral pipeline adjustment
- Patented bi-link check provides lowest pressure loss
- Unmatched ease of serviceability
- Available with grooved butterfly valve shutoffs
- Available for horizontal, vertical or N pattern installations
- Replaceable check disc rubber

### Specifications

The Double Check Valve Assembly shall consist of two independent bi-link check modules within a single housing, sleeve access port, four test cocks and two drip tight shutoff valves. Bi-link checks shall be removable and serviceable, without the use of special tools. The housing shall be constructed of 304 Schedule 40 stainless steel pipe with groove end connections. Bi-link checks shall have reversible elastomer discs and in operation shall produce drip tight closure against reverse flow caused by backpressure or backsiphonage. Assembly shall be a Watts Regulator Company Series 757a, 757Na.



757aOSY



757NaBFG

757aOSY  
(Vertical)

**WATTS<sup>®</sup>**  
**REGULATOR**

## Available Models

Suffix:

NRS – non-rising stem resilient seated gate valves

OSY – UL/FM outside stem and yoke resilient seated gate valves

BFG – UL/FM grooved gear operated butterfly valves with tamper switch

\*OSY FxG – Flanged inlet gate connection and grooved outlet gate connection

\*OSY GxF – Grooved inlet gate connection and flanged outlet gate connection

\*OSY GxG – Grooved inlet gate connection and grooved outlet gate connection

Available with grooved NRS gate valves - consult factory\*

Post indicator plate and operating nut available - consult factory\*

\*Consult factory for dimensions

## Materials

Housing & Sleeve: 304 (Schedule 40) Stainless Steel

Elastomers: EPDM, and Buna 'N'

Bi-link Checks: Noryl®, Stainless Steel

Check Discs: Reversible EPDM

Test Cocks: Bronze Body Nickel Plated

Pins & Fasteners: 300 Series Stainless Steel

Springs: Stainless Steel

## Pressure – Temperature

Temperature Range: 33°F to 110°F (5°C to 43°C)

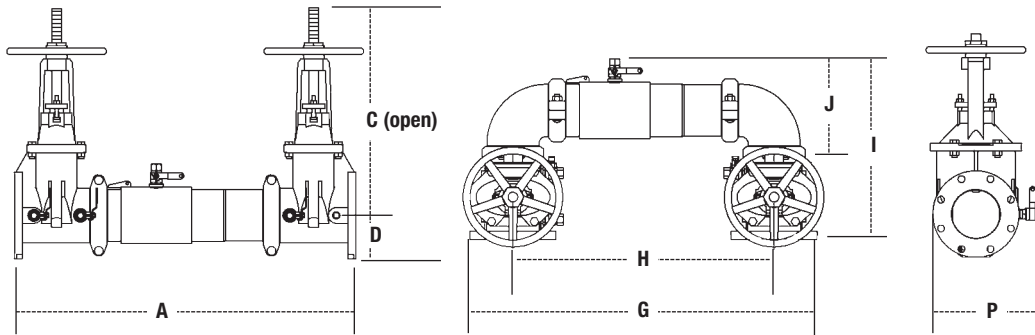
Maximum Working Pressure: 175psi (12.06 bar)

## Approvals



(BFG & OSY only)

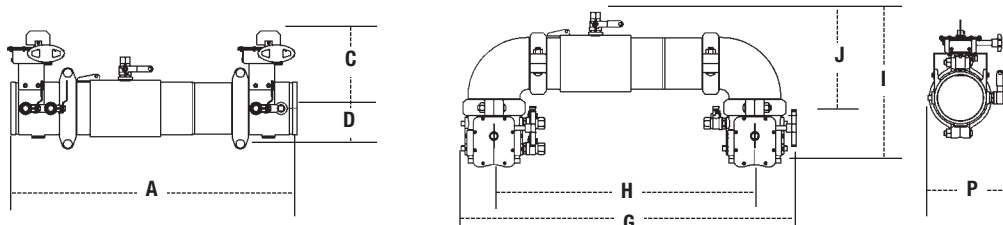
## Dimensions – Weight



757a, 757Na

| SIZE (DN) |     | DIMENSIONS |         |         |     |     |     |     |     |     | WEIGHT  |         |           |           |      |      |      |      |      |      |      |     |     |     |     |
|-----------|-----|------------|---------|---------|-----|-----|-----|-----|-----|-----|---------|---------|-----------|-----------|------|------|------|------|------|------|------|-----|-----|-----|-----|
| in.       | mm  | A          | C (OSY) | C (NRS) | D   | G   | H   | I   | J   | P   | 757aNRS | 757aOSY | 757Na NRS | 757Na OSY |      |      |      |      |      |      |      |     |     |     |     |
|           |     | in.        | mm      | in.     | mm  | in. | mm  | in. | mm  | in. | mm      | in.     | mm        | lbs.      | kgs. | lbs. | kgs. | lbs. | kgs. | lbs. | kgs. |     |     |     |     |
| 2½        | 65  | –          | –       | –       | –   | 29½ | 738 | 22  | 559 | 15½ | 393     | 8½      | 223       | 9         | 229  | –    | –    | 123  | 56   | 133  | 60   |     |     |     |     |
| 3         | 80  | –          | –       | –       | –   | 30¼ | 768 | 22¾ | 578 | 17½ | 435     | 9       | 233       | 10½       | 267  | –    | –    | 144  | 65   | 158  | 72   |     |     |     |     |
| 4         | 100 | –          | –       | –       | –   | 33  | 838 | 24  | 610 | 18½ | 470     | 9½      | 252       | 11        | 284  | –    | –    | 184  | 83   | 184  | 83   |     |     |     |     |
| 6         | 150 | 43½        | 1105    | 30½     | 765 | 16  | 406 | 5½  | 140 | 44¾ | 1137    | 33¾     | 857       | 23¾       | 589  | 13   | 318  | 273  | 124  | 295  | 134  | 314 | 142 | 336 | 152 |

Note: For 2½" – 4" horizontal/vertical installation, send for literature ES-757/757N.



757aBFG, 757NaBFG

| SIZE (DN) |     | DIMENSIONS |     |     |     |     |     |     |      |         | WEIGHT    |      |      |      |      |     |     |     |    |     |    |
|-----------|-----|------------|-----|-----|-----|-----|-----|-----|------|---------|-----------|------|------|------|------|-----|-----|-----|----|-----|----|
| in.       | mm  | A          | C   | D   | G   | H   | I   | J   | P    | 757aBFG | 757Na BFG |      |      |      |      |     |     |     |    |     |    |
|           |     | in.        | mm  | in. | mm  | in. | mm  | in. | mm   | in.     | mm        | lbs. | kgs. | lbs. | kgs. |     |     |     |    |     |    |
| 2½        | 65  | –          | –   | –   | –   | 29½ | 759 | 22  | 559  | 14½     | 379       | 8½   | 223  | 9    | 229  | –   | –   | 64  | 29 |     |    |
| 3         | 80  | –          | –   | –   | –   | 30¼ | 779 | 22¾ | 578  | 15      | 392       | 9    | 233  | 9½   | 241  | –   | –   | 67  | 30 |     |    |
| 4         | 100 | –          | –   | –   | –   | 31½ | 811 | 24  | 610  | 16¼     | 412       | 9½   | 252  | 10   | 254  | –   | –   | 84  | 38 |     |    |
| 6         | 150 | 36½        | 927 | 10  | 254 | 5   | 127 | 43¾ | 1097 | 33¾     | 857       | 19½  | 500  | 13   | 332  | 10½ | 267 | 117 | 53 | 157 | 71 |

Note: For 2½" – 4" horizontal/vertical installation, send for literature ES-757/757N.

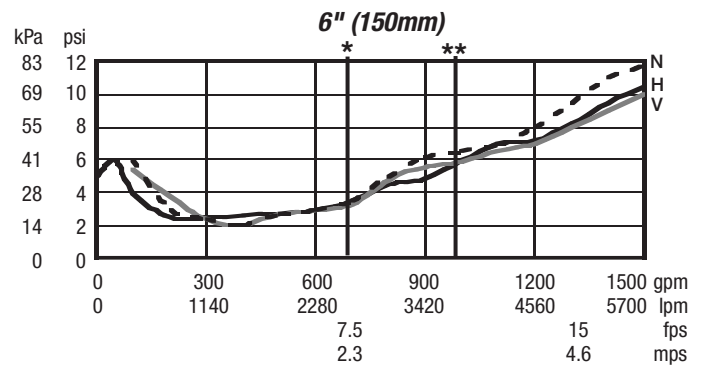
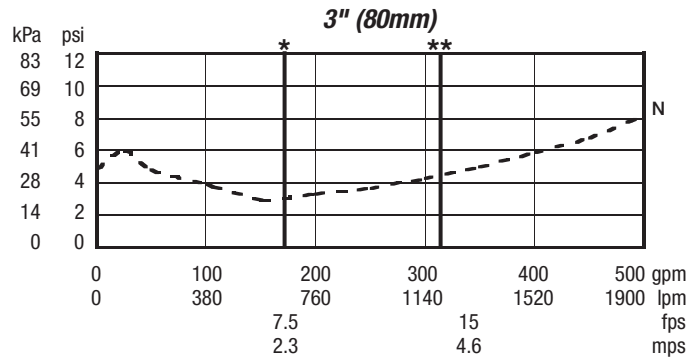
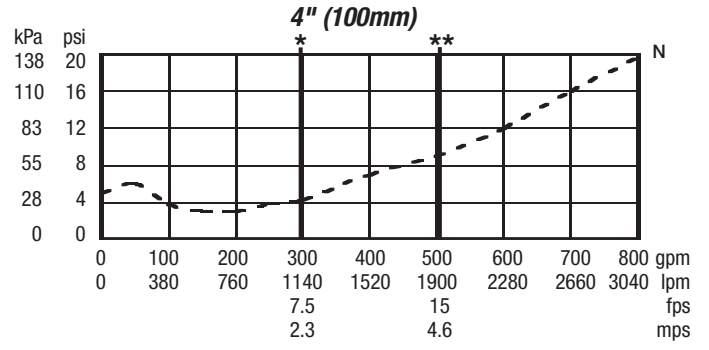
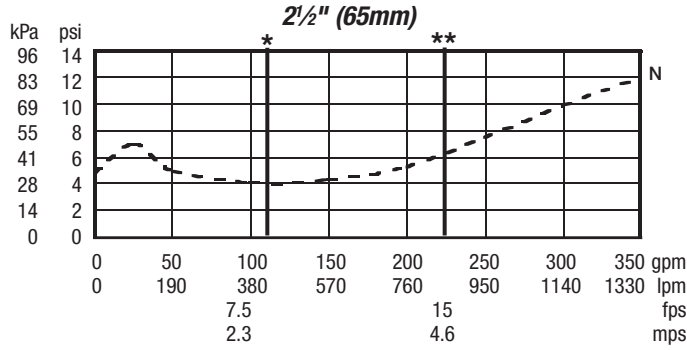
Noryl® is a registered trademark of General Electric Company.

# Capacity

Series 757a, 757Na flow curves as tested by Underwriters Laboratory per UL 1469, 1996.  
Flow characteristics collected using butterfly shutoff valves

\* = Rated flow \*\* = UL Rated flow

———— Horizontal    ——— Vertical    - - - - - N - Pattern



# For Technical Assistance Call Your Authorized Watts Agent.

|                               |   |  | Telephone #  | Fax #        |
|-------------------------------|---|--|--------------|--------------|
|                               | <b>HEADQUARTERS:</b> Watts Regulator Company                                  | 815 Chestnut St., North Andover, MA 01845-6098 U.S.A.  | 978 688-1811 | 978 794-1848 |
| <b>North East</b>             | Edwards, Platt & Deely, Inc.  | 271 Royal Ave., Hawthorne, NJ 07506  | 973 427-2898 | 973 427-4246 |
|                               | Edwards, Platt & Deely, Inc.  | 368 Wyandanch Ave., North Babylon, NY 11703  | 631 253-0600 | 631 253-0303 |
|                               | W. P. Haney Co., Inc.   | 51 Norfolk Ave., South Easton, MA 02375  | 508 238-2030 | 508 238-8353 |
| <b>Mid Atlantic</b>           | J. B. O'Connor Company, Inc.  | P.O. Box 12927, Pittsburgh, PA 15241   | 724 745-5300 | 724 745-7420 |
|                               | RMI   | Glenfield Bus. Ctr., 2535 Mechanicsville Tpk., Richmond, VA 23223                                | 804 643-7355 | 804 643-7380 |
|                               | The Joyce Agency, Inc.  | 8442 Alban Rd., Springfield, VA 22150  | 703 866-3111 | 703 866-2332 |
|                               | Vernon Bitzer Associates, Inc.  | 980 Thomas Drive, Warminster, PA 18974   | 215 443-7500 | 215 443-7573 |
|                               | WMS Sales, Inc. (Main office)   | 9580 County Rd., Clarence Center, NY 14032   | 716 741-9575 | 716 741-4810 |
| <b>South East</b>             | Billingsley & Associates, Inc.  | 2728 Crestview Ave., Kenner, LA 70062-4829   | 504 602-8100 | 504 602-8106 |
|                               | Billingsley & Associates, Inc.  | 478 Cheyenne Lane, Madison, MS 39110   | 601 856-7565 | 601 856-8390 |
|                               | Francisco J. Ortiz & Co., Inc.  | Charlyn Industrial Pk., Road 190 KM1.9 - Lot #8, Carolina, Puerto Rico 00983                     | 787 769-0085 | 787 750-5120 |
|                               | Mid-America Marketing, Inc.   | 203 Industrial Drive, Birmingham, AL 35211   | 205 879-3469 | 205 870-5027 |
|                               | Mid-America Marketing, Inc.   | 1364 Foster Avenue, Nashville, TN 37210  | 615 259-9944 | 615 259-5111 |
|                               | Mid-America Marketing, Inc.   | 5466 Old Hwy. 78, Memphis, TN 38118  | 901 795-0045 | 901 795-0394 |
|                               | Smith & Stevenson Co., Inc.   | 4935 Chastain Ave., Charlotte, NC 28217  | 704 525-3388 | 704 525-6749 |
|                               | Watts   | 2861-B Bankers Industrial Drive, Atlanta, GA 30360   | 770 209-3310 | 770 447-4583 |
| <b>North Central</b>          | Aspinall Associates, Inc.   | 6840 Hillsdale Court, Indianapolis, IN 46250   | 317 849-5757 | 317 845-7967 |
|                               | Dave Watson Associates  | 1325 West Beecher, Adrian, MI 49221  | 517 263-8988 | 517 263-2328 |
|                               | Disney McLane & Associates  | 428 McGregor Ave., Cincinnati, OH 45206  | 800 542-1682 | 877 476-1682 |
|                               | BWA Company   | 17610 S. Waterloo Rd., Cleveland, OH 44119   | 216 486-1010 | 216 486-2860 |
|                               | Mid-Continent Marketing Services Ltd.   | 1724 Armitage Ct., Addison, IL 60101   | 630 953-1211 | 630 953-1067 |
|                               | Soderholm & Associates, Inc.  | 7150 143rd Ave. N.W., Anoka, MN 55303  | 763 427-9635 | 763 427-5665 |
| Stickler & Associates         | 333 North 121 St., Milwaukee, WI 53226  | 414 771-0400   | 414 771-3607 |              |
| <b>South Central</b>          | Hugh M. Cunningham, Inc.  | 13755 Benchmark, Dallas, TX 75234  | 972 888-3808 | 972 888-3838 |
|                               | Mack McClain & Associates   | 11132 South Towne Square, Suite 202, St. Louis, MO 63123   | 314 894-8188 | 314 894-8388 |
|                               | Mack McClain & Associates, Inc.   | 1450 NE 69th Place, Ste. 56 Ankeny, IA 50021   | 515 288-0184 | 515 288-5049 |
|                               | Mack McClain & Associates, Inc.   | 15090 West 116th St., Olathe, KS 66062   | 913 339-6677 | 913 339-9518 |
|                               | OK! Sales, Inc.   | 2200 Blue Creek Dr., Norman, OK 73026  | 405 360-6161 | 405 360-0092 |
| Phoenix Marketing, Ltd.       | 2416 Candelaria N.E., Albuquerque, NM 87107                                   | 505 883-7100   | 505 883-7101 |              |
| <b>Western</b>                | Delco Sales, Inc.   | 1930 Raymer Ave., Fullerton, CA 92833  | 714 888-2444 | 714 888-2448 |
|                               | Delco Sales, Inc.   | 111 Sand Island Access Rd., Unit I-10, Honolulu, HI 96819  | 808 842-7900 | 808 842-9625 |
|                               | Fanning & Associates, Inc.  | 6765 Franklin St., Denver, CO 80229-7111   | 303 289-4191 | 303 286-9069 |
|                               | Hollabaugh Brothers & Associates  | 6915 South 194th St., Kent, WA 98032   | 253 867-5040 | 253 867-5055 |
|                               | Hollabaugh Brothers & Associates  | 3028 S.E. 17th Ave., Portland, OR 97202  | 503 238-0313 | 503 235-2824 |
|                               | P I R Sales, Inc.   | 3050 North San Marcos Place, Chandler, AZ 85225  | 480 892-6000 | 480 892-6096 |
|                               | Preferred Sales   | 31177 Wiegman Road, Hayward, CA 94544  | 510 487-9755 | 510 476-1595 |
| R. E. Fitzpatrick Sales, Inc. | 4109 West Nike Dr. (8250 South), West Jordan, UT 84088                        | 801 282-0700   | 801 282-0600 |              |
| <b>Canada</b>                 | Watts Industries (Canada) Inc.<br>(Watts Regulator Co. Division)              | 5435 North Service Road, Burlington, Ontario L7L 5H7   | 905 332-4090 | 905 332-7068 |
|                               | Con-Cur West Marketing, Inc.  | 71B Clipper Street, Coquitlam, British Columbia V3K 6X2  | 604 540-5088 | 604 540-5084 |
|                               | D.C. Sales Corporation Inc.   | #10-6130 4th St. S.E., Calgary, Alberta T2H 2A6  | 403 253-6808 | 403 259-8331 |
|                               | D.C. Sales Corporation Inc.   | 11420 142 Street, Edmonton, Alberta T5M 1V1  | 780 496-9495 | 780 496-9621 |
|                               | GTA Sales Team.   | Greater Toronto Area   | 888 208-8927 | 888 479-2887 |
|                               | Hydro-Mechanical Sales, Ltd.  | 3700 Joseph Howe Drive, Suite 1, Halifax, Nova Scotia B3L 4H7                                    | 902 443-2274 | 902 443-2275 |
|                               | Hydro-Mechanical Sales, Ltd.  | P.O. Box 1445 (Mailing), 297 Collishaw St., Suite 7 (shipping)<br>Moncton, New Brunswick E1C 9R2 | 506 859-1107 | 506 859-2424 |
|                               | J.D.S. Sales Ltd.   | 4 Lancaster Street, St. John's, Newfoundland A1A 5P7   | 709 579-5771 | 709 579-1558 |
|                               | Le Groupe B.G.T., Inc.  | 23 du Buisson, Pont Rouge, Quebec G3H 1X9  | 418 873-2500 | 418 873-2505 |
|                               | Le Groupe B.G.T., Inc.  | 86 des Entreprises #208, Boisbriand, Quebec J7G 2T3  | 450 434-9010 | 450 434-9848 |
|                               | Mar-Win Agencies, Ltd.  | 1333 Clifton St., Winnipeg, Manitoba R3E 2V1   | 204 775-8194 | 204 786-8016 |
| Northern Mechanical Sales     | P.O. Box 280 (mailing) 163 Pine St. (shipping), Garson, Ontario P3L 1S6       | 705 693-2715   | 705 693-4394 |              |
| Palsler Enterprises, Ltd.     | P.O. Box 28136 (mailing), 1885 Blue Heron Dr., #4,<br>London, Ontario N6H 5L9 | 519 471-9382   | 519 471-1049 |              |
| RAM Mechanical Marketing Inc. | 1401 St. John Street, Regina, Saskatchewan S4R 1S5                            | 306 525-1986   | 306 525-0809 |              |
| RAM Mechanical Marketing Inc. | 510 Ave M South, Saskatoon, Saskatchewan S7M 2K9                              | 306 244-6622   | 306 244-0807 |              |
| Walmar Mechanical Sales       | 24 Gurdwara Rd., Nepean, Ontario K2E 8B5                                      | 613 225-9774   | 613 225-0673 |              |
| 0510                          | <b>EXPORT Hdqtrs.:</b> Watts Regulator Co.                                    | 815 Chestnut St., North Andover, MA 01845-6098 U.S.A.  | 978 688-1811 | 978 794-1848 |



Watts USA website: [www.wattsreg.com](http://www.wattsreg.com)  
Watts Canada website: [www.wattsCanada.ca](http://www.wattsCanada.ca)