

For Commercial Applications

Job Name _____
 Job Location _____
 Engineer _____
 Approval _____

Contractor _____
 Approval _____
 Contractor's P.O. No. _____
 Representative _____

Series F-503
Class 125 Cast Iron Gate Valves
 Sizes: 2"-16" (50-400mm)

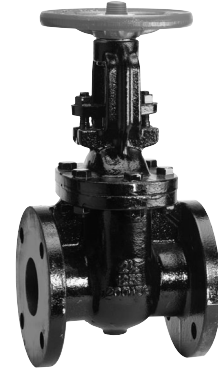
Watts Series F-503 Class 125 Cast Iron Gate Valves comply with MSS-SP-70 Type 1 and feature an outside screw & yoke, bolted bonnet, bronze mounting and solid wedge disc.

Features:

- Outside Stem & Yoke (OSY)
- Bolted Bonnet
- Bronze Mounted
- Solid Wedge Disc
- 2"-16" (50-400mm) flanged end connections (ANSI/ASME B16.1)

Pressure — Temperature:

- 125psi WSP to 353°F (178°C)
- 200psi WOG non-shock



Materials List

NO.	DESCRIPTION	MATERIAL	ASTM SPEC
1	Body	Cast Iron	ASTM A126 Class B
2	Bonnet	Cast Iron	ASTM A126 Class B
3	Stem	Forged Brass	ASTM B124, C37700
4	Disc	Cast Iron	ASTM A126, Class B
5	Gland	Ductile Iron	ASTM A395
6	Gland Packing (1S)	Non-Asbestos Packing	Commercial
7	Hand Wheel (2"-10", 14"-16") (12")	Cast Iron Ductile Iron	ASTM A126 Class ASTM A536
8	Wheel Nut	Carbon Steel	ASTM A307 Gr. B
9	Name Plate	Aluminum	Commercial
10	Gasket	Non-Asbestos Sheet	Commercial
11	Body Seat Ring (2)	Bronze	ASTM B62
12	Bonnet Nut (1S)	Carbon Steel	ASTM A307 Gr. B
13	Gland Nut (2)	Carbon Steel	ASTM A307 Gr. B
14	Bonnet Bolt (1S)	Carbon Steel	ASTM A307 Gr. B
15	Gland Bolt (2)	Carbon Steel	ASTM A307 Gr. B
16	Yoke Sleeve	Bronze	ASTM B62
17	Wheel Washer	Bronze	ASTM B62
18	Yoke	Cast Iron	ASTM A126, Class B
19	Yoke Nut (4)	Carbon Steel	ASTM A307 Gr. B
20	Yoke Bolt (4)	Carbon Steel	ASTM A307 Gr. B
21	Disc Seat Ring (2)	Bronze	ASTM B62

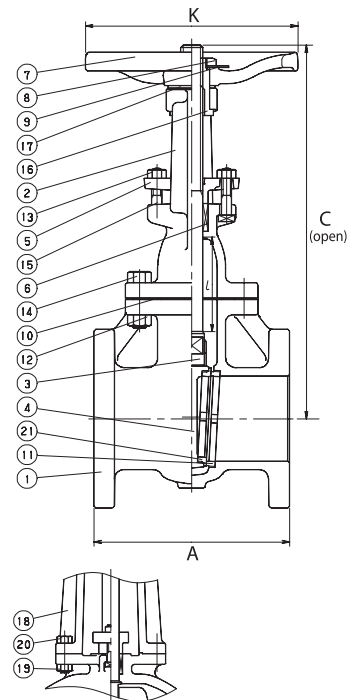
1S = 1 set

Specifications

Valve shall be manufactured out of Class 125 cast iron and comply with MSS-SP-70, Type 1. Valve shall be pressure rated to 125psi WSP, 200psi WOG (2"-16") non-shock and have flanged ends. Valve shall have an outside stem and yoke, bolted bonnet, bronze mounting and solid wedge disc. Valve shall be a Watts Regulator Company Series F-503.

Dimensions — Weights

Size		Ordering Code	A		C		K		Weight	
			End-to-End				Diameter of Handle			
in.	mm.		in.	mm	in.	mm	in.	mm	lb.	kg.
2	50	0106345	7	178	12 ¹⁵ / ₁₆	329	6 ⁵ / ₁₆	160	33	15
2½	65	0106346	7½	191	15 ¹ / ₁₆	383	6 ¹¹ / ₁₆	170	43	19.5
3	80	0106347	8	203	17 ³ / ₁₆	437	6 ¹¹ / ₁₆	170	53	24
4	100	0106348	9	229	20 ¹⁵ / ₁₆	532	8 ⁷ / ₈	225	81	36.7
5	125	0106349	10	254	24 ¹¹ / ₁₆	627	8 ⁷ / ₈	225	116	52.6
6	150	0106350	10½	267	28 ⁹ / ₁₆	725	9 ¹³ / ₁₆	249	157	71.2
8	200	0106351	11½	292	36 ³ / ₁₆	919	11	279	244	110.7
10	250	0106352	13	330	44 ⁵ / ₈	1133	13 ³ / ₄	349	394	178.7
12	300	0106353	14	356	53 ¹¹ / ₁₆	1364	17 ³ / ₄	451	541	245.4
14	350	0106354	15	381	62	1575	20	508	900	408
16	400	0106355	16	406	71	1803	22	559	1300	590



Watts product specifications in U.S. customary units and metric are approximate and are provided for reference only. For precise measurements, please contact Watts Technical Service. Watts reserves the right to change or modify product design, construction, specifications, or materials without prior notice and without incurring any obligation to make such changes and modifications on Watts products previously or subsequently sold.



USA: 815 Chestnut St., No. Andover, MA 01845-6098; www.wattsreg.com

Canada: 5435 North Service Rd., Burlington, ONT. L7L 5H7; www.wattscda.com