

## For Commercial Applications

Job Name \_\_\_\_\_

Contractor \_\_\_\_\_

Job Location \_\_\_\_\_

Approval \_\_\_\_\_

Engineer \_\_\_\_\_

Contractor's P.O. No. \_\_\_\_\_

Approval \_\_\_\_\_

Representative \_\_\_\_\_

## Series B-4000

### Class 150 Bronze Globe Valves, Threaded Ends

Sizes: 1/4"-3" (8-80mm)

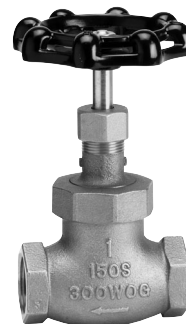
Watts Series B-4000 Class 150 Bronze Globe valves comply with MSS-SP-80 Type 2 and feature a union bonnet, inside screw, rising stem and G/F & PTFE disc.

#### Features:

- Union Bonnet
- Inside Screw
- Rising Stem
- G/F PTFE Disc
- 1/4"-3" (8-80mm) threaded end connections (ANSI/ASME B1.20.1)

#### Pressure — Temperature:

- 150psi WSP to 366°F (186°C)
- 300psi WOG non-shock



#### Materials List

NO.	DESCRIPTION	MATERIAL	ASTM SPEC
1	Body	Bronze	ASTM B62
2	Bonnet	Bronze	ASTM B62
3	Stem	Bronze	ASTM B62
4	Disc	G/F & PTFE	Commercial
5	Packing Nut	Brass	ASTM B283, C3770
6	Gland	Brass	ASTM B16
7	Gland Packing	Aramid w/Graphite	Commercial
8	Hand Wheel	(1/4"-1/2") Zinc (3/4"-2 1/2") Aluminum (3") Ductile Iron	ASTM B86 ASTM B85 ASTM A536
9	Wheel Nut	Brass	ASTM B16
10	Bonnet Ring	(1/4"-2") Bronze	ASTM B62
11	Disc Holder	Bronze	ASTM B62
12	Disc Nut	(1/4"-3/4") Brass (1"-3") Brass	ASTM B16 ASTM B283, C37700
13	Split Pin	Copper	Commercial
14	Name Plate	Aluminum	Commercial
15	Gasket	Aramid	Commercial
16	Bonnet Nut	Brass	ASTM B16
17	Bonnet Bolt	Carbon Steel	Commercial

#### Specifications

Valve shall be manufactured out of Class 150 bronze and comply with MSS-SP-80, Type 2. Valve shall be pressure rated to 150psi WSP, 300psi WOG non-shock and have threaded ends. Valve shall have a union bonnet, inside screw, rising stem and G/F & PTFE disc. Valve shall be a Watts Regulator Company Series B-4000.

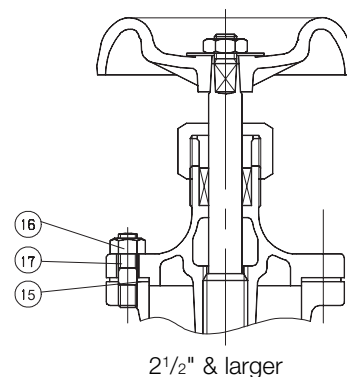
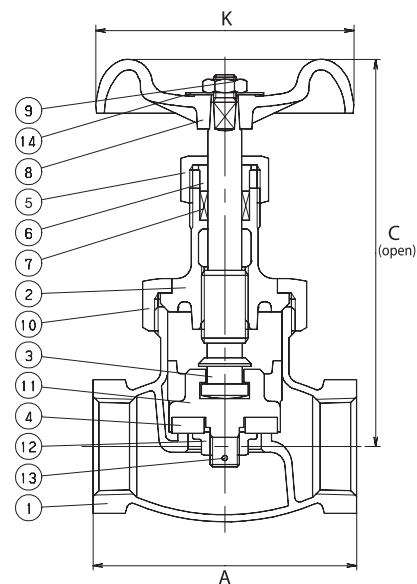
#### Dimensions — Weights

Size	Ordering Code	A		C		K		Weight		
		End-to-End		Diameter of Handle				lb.	kg.	
in.	mm.	in.	mm.	in.	mm.	in.	mm.			
1/4	8	0106141	2 1/16	52	4 5/16	109	2 3/8	60	0.9	.4
3/8	10	0106142	2 3/16	56	4 5/16	109	2 3/8	60	1.0	.5
1/2	15	0106143	2 1/2	64	4 9/16	116	2 3/4	70	1.1	.5
3/4	20	0106144	3 1/16	78	5 3/8	137	3 9/16	91	1.9	.9
1	25	0106145	3 9/16	90	5 7/8	149	3 15/16	100	3.1	1.4
1 1/4	32	0106146	4 1/8	105	6 13/16	173	4 1/2	114	4.4	2
1 1/2	40	0106147	4 3/4	121	7 3/16	183	4 1/2	114	5.8	2.6
2	50	0106148	5 11/16	144	8 1/4	210	5 5/16	135	10.5	4.8
2 1/2	65	0106149	6 11/16	170	9 3/4	248	6 1/8	156	17.3	7.9
3	80	0106150	7 7/8	200	10 13/16	275	7 1/16	180	28.0	12.7

Watts product specifications in U.S. customary units and metric are approximate and are provided for reference only. For precise measurements, please contact Watts Technical Service. Watts reserves the right to change or modify product design, construction, specifications, or materials without prior notice and without incurring any obligation to make such changes and modifications on Watts products previously or subsequently sold.

ES-B-4000 0246

© Watts Regulator Co., 2002



**WATTS®**  
REGULATOR

ISO 9001  
CERTIFIED

USA: 815 Chestnut St., No. Andover, MA  
01845-6098; www.wattsreg.com

Canada: 5435 North Service Rd., Burlington,  
ONT. L7L 5H7; www.wattsca.com

Printed in U.S.A.