

## For Commercial Applications

Job Name \_\_\_\_\_  
 Job Location \_\_\_\_\_  
 Engineer \_\_\_\_\_  
 Approval \_\_\_\_\_

Contractor \_\_\_\_\_  
 Approval \_\_\_\_\_  
 Contractor's P.O. No. \_\_\_\_\_  
 Representative \_\_\_\_\_

### Series B-3000 Class 125 Bronze Gate Valves, Threaded Ends Sizes: 1/2"-2" (15-50mm)

Watts Series B-3000 Class 125 Bronze Gate valves comply with MSS-SP-80 Type 1 and feature a threaded bonnet, non-rising stem and solid wedge disc.

#### Features:

- Threaded Bonnet
- Non-Rising Stem
- Solid Wedge Disc
- 1/2"-2" (15-50mm) threaded end connections (ANSI/ASME B1.20.1)

#### Pressure — Temperature:

- 125psi WSP to 353°F (178°C)
- 200psi WOG non-shock



#### Materials List

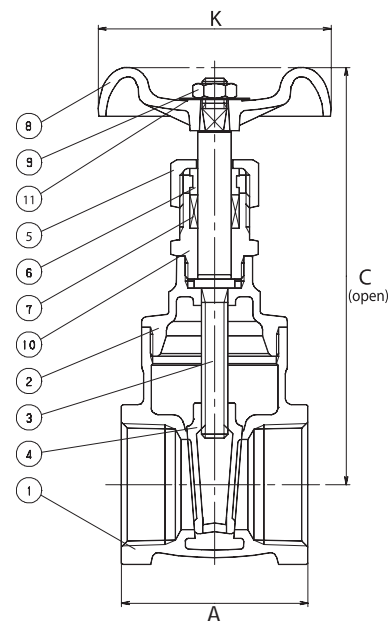
NO.	DESCRIPTION	MATERIAL	ASTM SPEC
1	Body	Bronze	ASTM B62
2	Bonnet	Bronze	ASTM B62
3	Stem	Bronze	ASTM B62
4	Disc	Bronze	ASTM B62
5	Packing Nut	Brass	ASTM B283, C3770
6	Gland	Brass	ASTM B16
7	Gland Packing	Aramid w/Graphite	Commercial
8	Hand Wheel (1/2"-1")	Zinc	ASTM B86
	(1 1/4"-2")	Aluminum	ASTM B85
9	Wheel Nut	Brass	ASTM B16
10	Stuffing Box	Brass	ASTM B16
11	Name Plate	Aluminum	Commercial

#### Specifications

Valve shall be manufactured out of Class 125 bronze and comply with MSS-SP-80, Type 1. Valve shall be pressure rated to 125psi WSP, 200psi WOG non-shock and have threaded ends. Valve shall have a threaded bonnet, non-rising stem and solid wedge disc. Valve shall be a Watts Regulator Company Series B-3000.

#### Dimensions — Weights

Size	Ordering Code		A		C		K		Weight	
	in.	mm.	in.	mm	in.	mm	in.	mm	lb.	kg.
1/2	15	0106002	1 <sup>15</sup> / <sub>16</sub>	49	3 <sup>11</sup> / <sub>16</sub>	94	2 <sup>3</sup> / <sub>16</sub>	56	0.8	.4
3/4	20	0106003	2 <sup>1</sup> / <sub>16</sub>	52	4 <sup>5</sup> / <sub>16</sub>	110	2 <sup>3</sup> / <sub>8</sub>	60	1.2	.5
1	25	0106004	2 <sup>3</sup> / <sub>8</sub>	60	4 <sup>15</sup> / <sub>16</sub>	125	3 <sup>3</sup> / <sub>4</sub>	95	1.7	.8
1 1/4	32	0106005	2 1/2	64	5 <sup>11</sup> / <sub>16</sub>	144	3 1/8	79	2.4	1.1
1 1/2	40	0106006	2 <sup>11</sup> / <sub>16</sub>	68	6 <sup>11</sup> / <sub>16</sub>	170	3 <sup>9</sup> / <sub>16</sub>	90	3.3	1.5
2	50	0106007	2 <sup>15</sup> / <sub>16</sub>	75	7 <sup>7</sup> / <sub>16</sub>	189	3 <sup>15</sup> / <sub>16</sub>	100	4.8	2.2



Watts product specifications in U.S. customary units and metric are approximate and are provided for reference only. For precise measurements, please contact Watts Technical Service. Watts reserves the right to change or modify product design, construction, specifications, or materials without prior notice and without incurring any obligation to make such changes and modifications on Watts products previously or subsequently sold.



**USA:** 815 Chestnut St., No. Andover, MA 01845-6098; [www.wattsreg.com](http://www.wattsreg.com)  
**Canada:** 5435 North Service Rd., Burlington, ONT. L7L 5H7; [www.wattscda.com](http://www.wattscda.com)

