

## For Commercial, Residential and Institutional Applications

Job Name \_\_\_\_\_

Contractor \_\_\_\_\_

Job Location \_\_\_\_\_

Approval \_\_\_\_\_

Engineer \_\_\_\_\_

Contractor's P.O. No. \_\_\_\_\_

Approval \_\_\_\_\_

Representative \_\_\_\_\_

# Series IWTG-NYC and IWTG-HTX Air Test Assembly Gauges

Dial Sizes: IWTG-NYC: 2½" (65mm)  
IWTG-HTX: 4" (100mm)

Series IWTG-NYC and IWTG-HTX Air Test Assembly Gauges are used in commercial, residential, and institutional HVAC applications. These series both feature ¾" (20mm) FPT chrome-plated brass manifolds with shutoff valves, steel cases, Kostil Polymer windows, ¾" (20mm) FPT x Schrader type air valves with caps connections and copper alloy Bourdon tube pressure elements. Series IWTG-NYC has 2% accuracy, full range. Series IWTG-HTX is has 1% accuracy, full range. Both series of gauges are available in 0-5psi (0 kPa - 34 kPa) or 0-10psi (0 kPa - 69 kPa) pressure rating scales.

### Features

- Black enamel steel case
- Kostil polymer window
- ¾" (20mm) FPT chrome plated brass manifold with Schrader type air valves with caps.
- Diaphragm sensing element with calibration set screw
- Brass shutoff valve
- Set hand (IWTG-HTX only)

### Models

IWTG-NYC – 2% accuracy, full range

IWTG-HTX – 1% accuracy, full range and shut-off valve set hand

### Standards

ISO 9002 quality standard

ASME B40.100

### Temperature

Working Temperature: 14°F to 176°F (-10°C to 80°C)



IWTG-NYC



IWTG-HTX

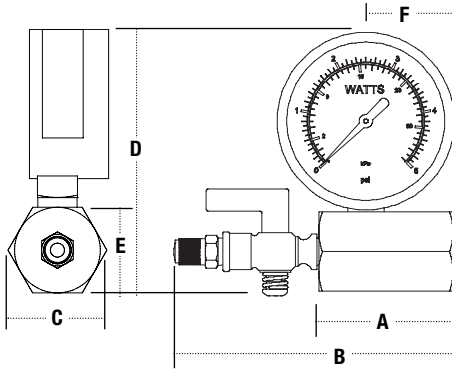
# WATTS®

Watts product specifications in U.S. customary units and metric are approximate and are provided for reference only. For precise measurements, please contact Watts Technical Service. Watts reserves the right to change or modify product design, construction, specifications, or materials without prior notice and without incurring any obligation to make such changes and modifications on Watts products previously or subsequently sold.

## Materials

Case: Steel - black enamel  
 Window: Kostil polymer  
 Manifolds: FPT chrome-plated brass  
 Sensing Element: Diaphragm  
 Shutoff valve: Brass  
 Welding: Tin alloy

## Dimensions—Weights



MODEL	SCALE	SIZE (DN)	DIMENSIONS												WEIGHT			
			A		B		C		D		E		F		lbs.	kgs.		
			in.	mm	in.	mm	in.	mm	in.	mm	in.	mm	in.	mm	in.	mm		
IWTG-NYC	0 – 5psi 34 kPa	¾" (20mm) FPT	2	51	4	102	1⅜	35	¾	95	1⅜	30	1⅝	33	1	.45		
IWTG-NYC	0 – 10psi 69 kPa	¾" (20mm) FPT	2	51	4	102	1⅜	35	¾	95	1⅜	30	1⅝	33	1	.45		
IWTG-HTX	0 – 5psi 34 kPa	¾" (20mm) FPT	2	51	4	102	1⅜	35	4½	114	1⅜	30	1⅝	33	1.4	.62		
IWTG-HTX	0 – 10psi 69 kPa	¾" (20mm) FPT	2	51	4	102	1⅜	35	4½	114	1⅜	30	1⅝	33	1.4	.62		



Water Safety & Flow Control Products



USA: 815 Chestnut St., No. Andover, MA 01845-6098; www.watts.com

Canada: 5435 North Service Rd., Burlington, ONT. L7L 5H7; www.wattscanada.ca