

For Residential and Commercial Applications

Job Name _____

Contractor _____

Job Location _____

Approval _____

Engineer _____

Contractor's P.O. No. _____

Approval _____

Representative _____

Series IPF

Isolation Pump Flanges for Circulator Pumps

Sizes: 1/2" – 2" (15 – 50mm)

Series IPF Isolation Pump Flanges are designed to isolate circulator pumps to facilitate circulator pump replacement or repairs.

Features

- Brass body and flange
- Pressure rated at 600 WOG
- Virgin PTFE seats
- Bottom loaded, blowout proof stem
- Dual Buna-N stem O-rings
- Vinyl insulator on plated steel handle
- Quarter-turn open or close operation
- Maximum operating temperature:
406°F (208°C) at 100psi (6.9bars)

Models

IPF-T 1/2" – 2" (15 – 50mm) NPT threaded end connection

IPF-S 1/2" – 1 1/2" (15 – 40mm) Solder end connection

Specifications

Approved pump flange shall be 2-piece design constructed of brass body and end adaptor. Seats shall be Virgin PTFE. Stem shall be bottom loaded blow-out proof design. Stem shall be brass with two O-ring seals to prevent stem leakage at installation. Valve shall be rated to 600 WOG. The valve shall be a Watts Regulator Company Series IPF-T (threaded) or IPF-S (solder).

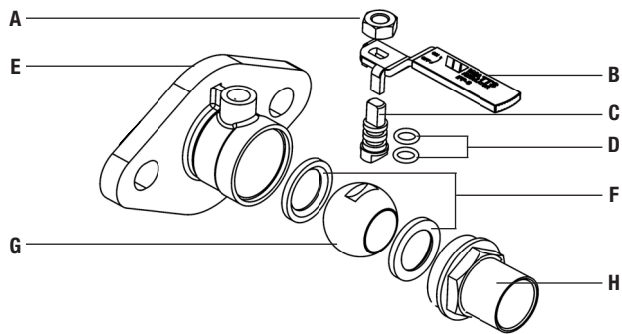


*This valve is designed to be soft soldered into lines without disassembly, using a low temperature solder to 420°F (216°C). Higher temperature solders may damage the seat material.
Apply heat with the flame directed AWAY from the center of the valve body. Excessive heat can harm the seats.

WATTS®
REGULATOR

Watts product specifications in U.S. customary units and metric are approximate and are provided for reference only. For precise measurements, please contact Watts Technical Service. Watts reserves the right to change or modify product design, construction, specifications, or materials without prior notice and without incurring any obligation to make such changes and modifications on Watts products previously or subsequently sold.

Materials



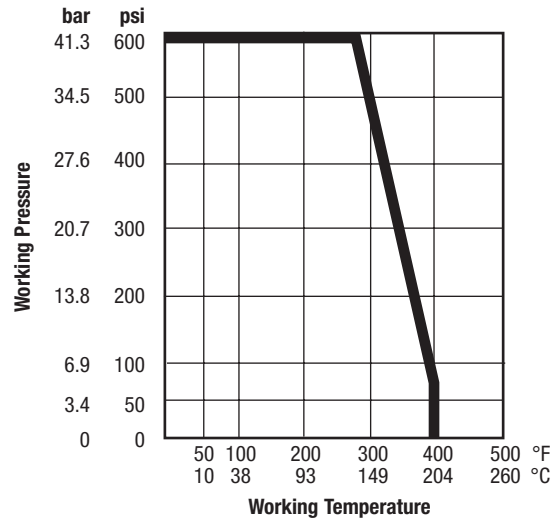
- A – Handle nut: Brass
- B – Handle: Steel with vinyl insulator
- C – Stem: Machined brass
- D – Stem O-rings: Buna-N
- E – Body/Flange: Brass
- F – Seats: Virgin PTFE
- G – Ball: Chrome plated brass
- H – Adaptor: Brass

Pressure – Temperature

Maximum Working Pressure: 600psi WOG

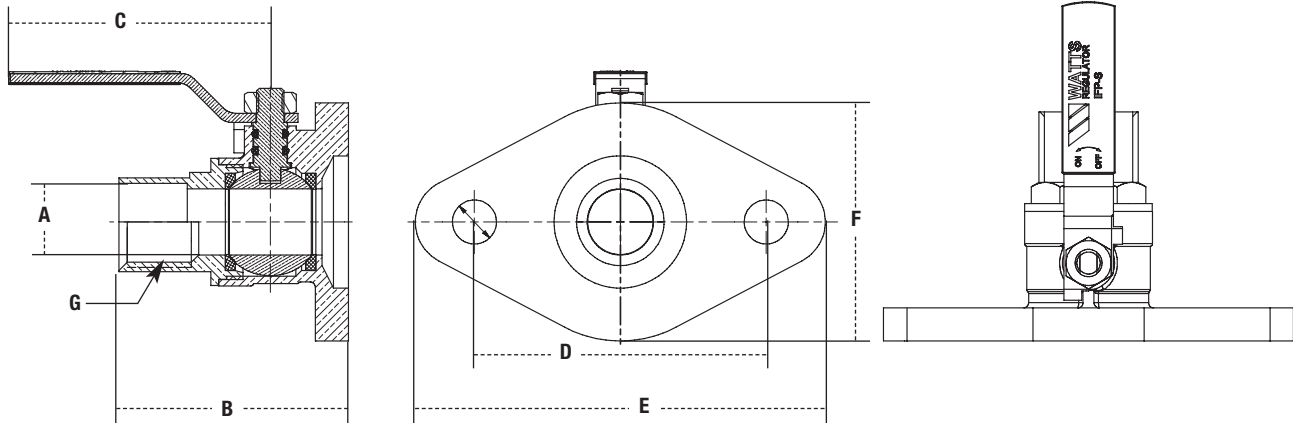
Maximum Temperature: 406°F (208°C) at 100psi (6.9 bar)

Temperature – Pressure Rating



* See applicable note on reverse side for solder end valves with regards to pressure/temperature rating.

Dimensions – Weights



MODEL	SIZE		DIMENSIONS/WEIGHT														
	in.	mm	A in.	A mm	B in.	B mm	C in.	C mm	D in.	D mm	E in.	E mm	F in.	F mm	G in.	lbs.	kg
IPF-T	1/2	15	9/16	14	1 7/8	49	3	77	3 3/16	80	4 5/8	118	2 11/16	69	1/2" NPT	1.2	.53
	3/4	20	3/4	19	2 1/8	54	3	77	3 3/16	80	4 5/8	118	2 11/16	69	3/4" NPT	1.3	.61
	1	25	1	25	2 1/2	63	3	77	3 3/16	80	4 5/8	118	2 11/16	69	1" NPT	1.6	.72
	1 1/4	32	1 1/4	31	2 13/16	72	4	107	3 3/16	80	4 5/8	118	2 11/16	69	1 1/4" NPT	2.1	.97
	1 1/2	40	1 1/2	39	3 1/8	79	4	107	3 3/16	80	4 5/8	118	2 11/16	69	1 1/2" NPT	2.5	1.13
IPF-S	1/2	15	9/16	14	1 7/8	49	3	77	3 3/16	80	4 5/8	118	2 11/16	69	—	1.1	.52
	3/4	20	3/4	19	2 1/8	54	3	77	3 3/16	80	4 5/8	118	2 11/16	69	—	1.3	.60
	1	25	1	25	2 1/2	63	3	77	3 3/16	80	4 5/8	118	2 11/16	69	—	1.6	.72
	1 1/4	32	1 1/4	31	2 13/16	72	4	107	3 3/16	80	4 5/8	118	2 11/16	69	—	2.1	.97
	1 1/2	40	1 1/2	39	3 1/8	79	4	107	3 3/16	80	4 5/8	118	2 11/16	69	—	2.5	1.13



USA: 815 Chestnut St., No. Andover, MA 01845-6098; www.wattsreg.com

Canada: 5435 North Service Rd., Burlington, ONT. L7L 5H7; www.wattscanada.ca