

For Residential and Commercial Applications

Job Name _____

Contractor _____

Job Location _____

Approval _____

Engineer _____

Contractor's P.O. No. _____

Approval _____

Representative _____

Cast Brass Hose Bibb Type Boiler Drain

Model HB-1

**Sizes: 1/2" I.P. Male x 3/4" Hose Thread or
1/2" Nom. Copper x 3/4" Hose Thread**

**Combination threaded and sweat end x 3/4" National hose
connection**

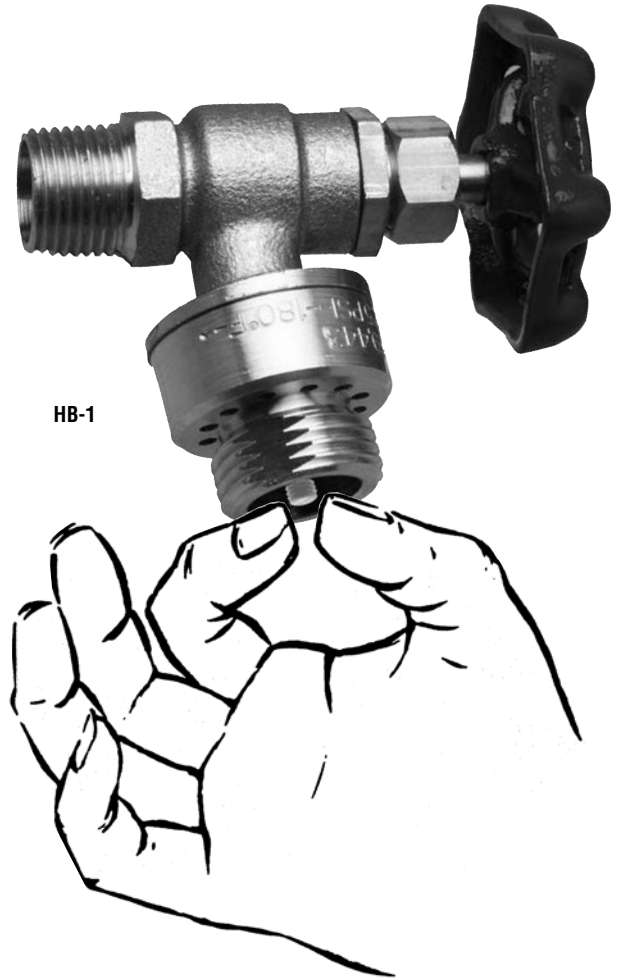
Provides backsiphonage protection for portable hoses connected
to hose thread faucets.

Features

- Built-in backflow protection
- Integral vacuum breaker -
If valve is disassembled, hose cannot be attached.
- Drainable in cold weather - Pull knob to drain.
- Meets ASSE Standard 1011.

Drainage Feature

To Prevent Freezing model HB-1 is standardly equipped to allow
sill cock to be drained. To do this, remove hose coupling and
lightly pull knurled tip of stem at outlet of valve to allow drainage of
collected water.



**IMPORTANT: INQUIRE WITH GOVERNING AUTHORITIES
FOR LOCAL INSTALLATION REQUIREMENTS**



Watts product specifications in U.S. customary units and metric are approximate and are provided for reference only. For precise measurements, please contact Watts Technical Service. Watts reserves the right to change or modify product design, construction, specifications, or materials without prior notice and without incurring any obligation to make such changes and modifications on Watts products previously or subsequently sold.

Standards

ASSE 1011

How It Works

Watts HB-1 sill cock is permanent, tamper-proof protection. Disconnecting the Vacuum breaker portion of the valve makes a hose connection impossible. Under normal conditions, the inner diaphragm opens to permit generous flow, while the circumferential diaphragm closes the air vents.

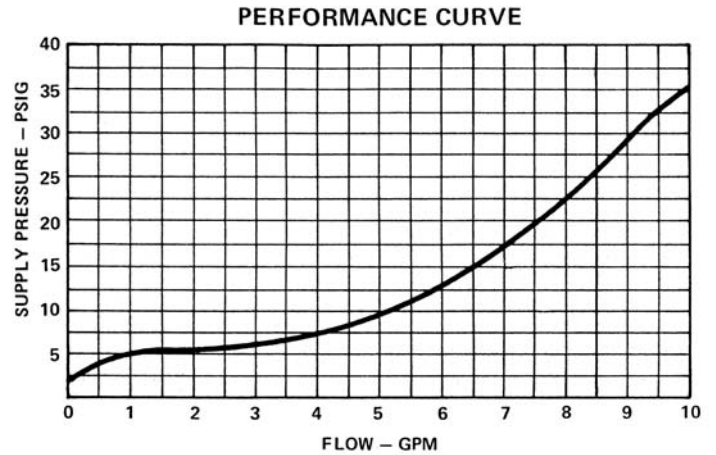
Should supply pressure drop and a backflow begin, the inner diaphragm immediately closes to prevent backflow into the main line, while the circumferential diaphragm opens the air vents to break the Vacuum.

Approvals

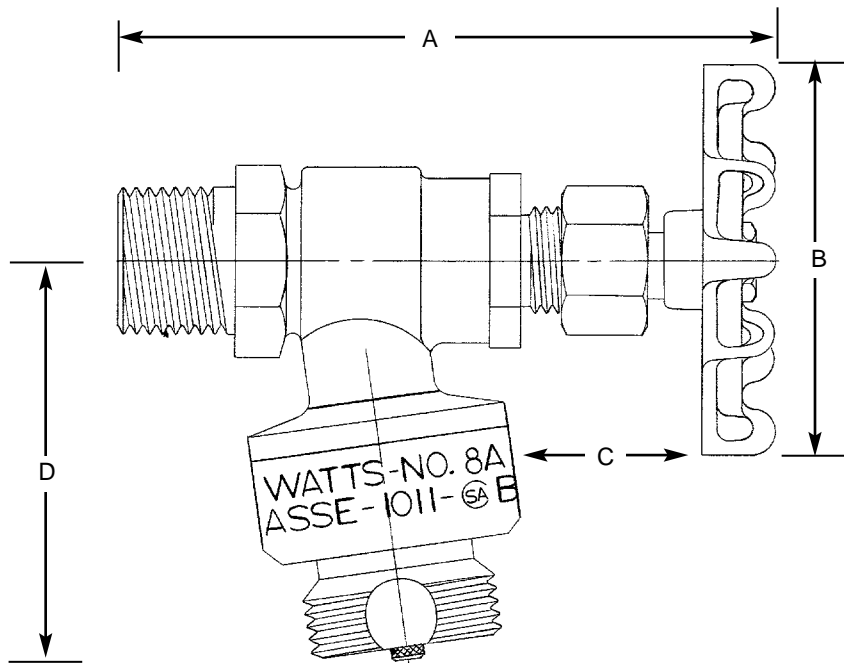
Tested and approved in Conformance with Standard 1011 of the American Society of Sanitary Engineers and by all principal cities, states and areas having these requirements.



Capacity



Dimensions-Weight



DIMENSIONS

No.	Size	Master Weight		A		B		C		D	
		(lbs.)	kg.	in.	mm	in.	mm	in.	mm	in.	mm
HB-1	1/2" Dual-Connection Sweat & Male Thread	9	4	3-5/8"	92	2-1/8"	54	1"	25	2-3/16"	56



USA: 815 Chestnut St., No. Andover, MA 01845-6098; www.wattsreg.com

Canada: 5435 North Service Rd., Burlington, ONT. L7L 5H7; www.wattscda.com

© Watts Regulator Company, 1998