

**For Residential, Commercial and Industrial Applications**

Job Name \_\_\_\_\_ Contractor \_\_\_\_\_  
 Job Location \_\_\_\_\_ Approval \_\_\_\_\_  
 Engineer \_\_\_\_\_ Contractor's P.O. No. \_\_\_\_\_  
 Approval \_\_\_\_\_ Representative \_\_\_\_\_

# Series 530C

## Calibrated Pressure Relief Valves

### Features

- Calibrated adjustment feature for setting valve to relief pressure required
- Adjustable range 50 - 175 psi (3.45 - 12.06 bars)
- All bronze construction
- All stainless steel springs
- Buna-N disc on machined body seat

### Specifications

- Sizes 1/2" and 3/4" (15 & 20mm)
- Inlet (bottom) male threaded, NPT
- Outlet (side), female threaded, NPT

### Design

- The Watts Series 530C are spring operated bronze relief valves designed to be used only as protection from the build up of excessive pressure in systems containing water, oil or air.
- The Watts Series 530C are not ASME approved safety relief valves and should not be used in system applications with this requirement.
- Incorporate a calibrated adjustment feature for setting the valve to the relief pressure required.

### Application

- Ideally suited for bypass thermal expansion pressure relief
- Not an ASME approved safety relief valve

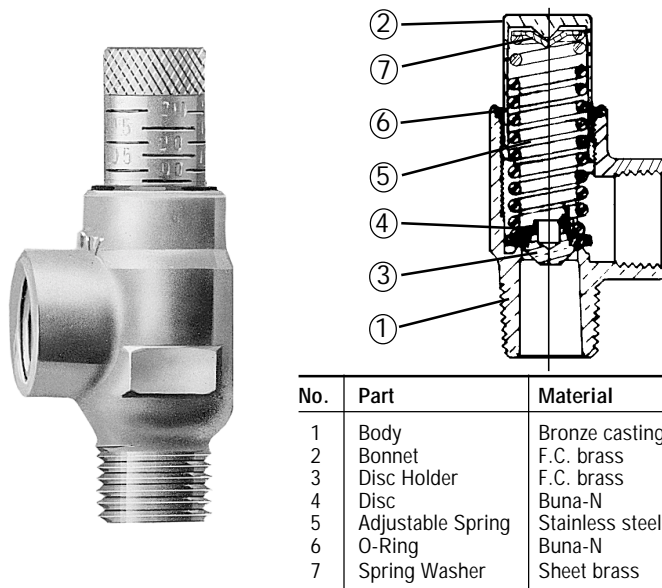
### Temperature & Pressure

Maximum Pressure: 300 psi (20.67 bars)  
 Maximum Temperature: 180°F (82°C)

### Spring Ranges Available

Size 1/2" or 3/4": 50 - 175 psi (3.45 - 12.06 bars)  
 Size 3/4": 100 - 300 psi (6.89 - 20.67 bars)

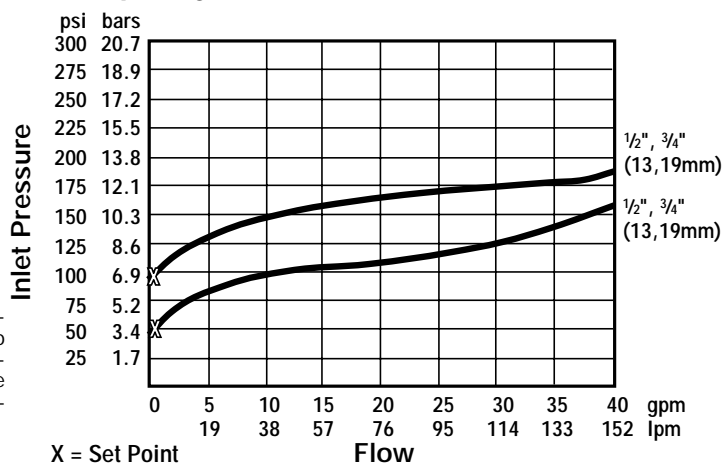
Watts product specifications in U.S. customary units and metric are approximate and are provided for reference only. Watts reserves the right to change or modify product design, construction, specifications, or materials without prior notice and without incurring any obligation to make such changes and modifications on Watts products previously or subsequently sold.



### Dimensions

Model	Size (DN)		Height		Width		Weight	
	in.	mm	in.	mm	in.	mm	lbs.	gm.
530C	1/2 or 3/4	15 or 20	3	76	1 5/8	41	.63	286

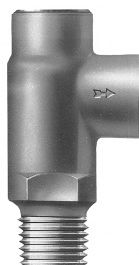
### Capacity (530C)



## Series 53

### Pressure Relief Valve

For pressure relief only, furnished without a test lever. For test lever see Model 53L on back. Male inlet sizes 1/2" and 3/4" have 1/2" female drain. Pressure range 75-175 psi (5.17-12.06 bars). Standard settings 75, 125, and 150 psi (5.17, 8.61 and 10.34 bars). Also, specially available at 50 psi (3.45 bars) setting.



### Dimensions

Model	Size (DN)		Height		Width		Weight	
	in.	mm	in.	mm	in.	mm	lbs.	gm.
53	1/2 or 3/4	15 or 20	2 7/8	73	1 3/4	44	.5	227

# Model 3L

## ASME Rated, Design Certified and Listed by C.S.A.

Used for protection against excessive pressure on domestic storage tanks or tankless water heaters. Similar in construction to Watts Model 10L, the Model 3L has no temperature relieving element. Pressure range 75-150 psi (5.17-10.34 bars). Standard setting 75, 100, 125 and 150 psi (5.17, 6.90, 8.61 and 10.34 bars). Size 3/4" x 3/4" (20mm x 20mm).

Popularly used in conjunction with the Model 210 gas shutoff valve on gas water heaters to shut off gas to heater if water heater temperature exceeds 210°F (99°C).

**Solar** - For solar applications Model 3L, specify Z9 for stainless steel lever and pin for outside solar applications.

**Model 3L** - has ASME construction and is tested, listed and certified by the National Board of Boiler and Pressure Vessel Inspectors.



Model 3L

# Model 53L

ANSI Z21.22 "Relief Valves for Hot Water Supply Systems."  
DESIGN CERTIFIED and listed by C.S.A.

Same basic design as Model 3L except it is furnished in 1/2" (15mm) size and does not comply with A.S.M.E. requirements.

- Bronze body and stainless steel spring.

**NOTE:** On all the above pressure relief valves, pressure setting should be not less than 25-30 psi above the maximum service main pressure.

Model	Size (DN)		Height		Width		Weight		Version
	in	mm	in	mm	in	mm	lb.	gm.	
3L	3/4	20	3 1/2	89	1 3/4	44	5/8	284	M7
53L	1/2	15	3 1/2	89	1 7/8	48	1/2	227	M7

\*3/4" (20mm) size CSA and ASME

*The Watts products shown below are small type relief valves. Construction of these products does not meet the (ANSI Z21.22) nationally-recognized applicable standard.*

# Series BP30

## Diaphragm Operated Relief Valve Bypass Control Valves

Diaphragm actuated bypass relief valves to regulate liquid pressure as supplied by a positive pressure pump. Protects equipment by opening at desired setting and allowing excess volume to be bypassed back to source. Construction is bronze body. Sensitive rubber diaphragm and special Teflon disc. Tee handle facilitates pressure change. Spring and adjustment handle free from contact with liquid elements being controlled. Max. temperature 180°F (82°C).

**Pressure Ranges:**

**BP30A** - Pressure range 10-50 psi (.7-3.45 bars)

**BP30B** - Pressure range 45-100 psi (3.10-6.90 bars)

**BP30C** - Pressure range 75-175 psi (5.17-12.06 bars)

Model	Size (DN)		Height		Length		Weight	
	in	mm	in	mm	in	mm	lb.	kg.
BP30	1/2	15	5 3/4	146	2 1/4	57	1 1/8	2.48

**Model 5300A** - Poppet type compact bypass relief valve. Size 1/2" (15mm). Pressure range 0-250 psi (0-17.23 bars).



Model BP30



Model 5300A

# Series 30 1/2" (15mm)

## Well System Relief Valve

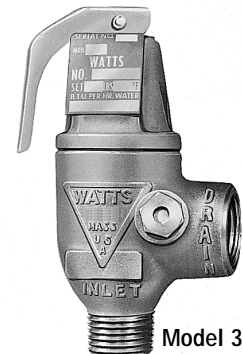
**Model 30L-Z1** - Well system relief valve. Capacity: 20 gpm at 10 psi over pressure (85 psi)

**Model 30L** - with test lever; not diaphragm activated, for pressure relief service only. Nominal size: 1/2" (15mm), NPT male inlet x female (drain) outlet. Standard pressure setting 75 psi (5.17 bars). Optional settings 100, 125 and 150 psi (6.9, 8.6, 10.3 bars). These valves are not diaphragm actuated as needed for certain applications like bypass control service. For adjustable non-lever diaphragm actuated relief or control service, see BP30 Series.

**Model N30** - Pressure range 5-25 psi (0.3-1.7 bars) and less lever.

**Model N30L** - Pressure range 30-50 psi (2.07-3.45 bars). Standard setting 30 or 45 psi (2.07 or 3.10 bars).

Model	Size (DN)		Height		Width		Weight	
	in	mm	in	mm	in	mm	lb.	gm.
30L	1/2	15	4 1/2	114	2 1/4	57	7/8	397



Model 30L



USA: 815 Chestnut St., No. Andover, MA 01845-6098: www.wattsreg.com  
Canada: 5435 North Service Rd., Burlington, ONT. L7L 5H7: www.wattscca.com

