

For Residential and Commercial Applications

Job Name _____

Contractor _____

Job Location _____

Approval _____

Engineer _____

Contractor's P.O. No. _____

Approval _____

Representative _____

Series N55B-M1

Water Pressure Reducing Valves*

Sizes: 1/2" – 1" (15 – 25mm)

Series N55B-M1 Water Pressure Reducing Valves are designed to reduce incoming water pressure to a sensible level to protect plumbing system components and reduce water consumption. This series is suitable for water supply pressures up to 400psi (27.6 bar) and may be adjusted from 25 to 75psi (172 – 517 kPa). The standard setting is 50psi (345 kPa). All parts are quickly and easily serviceable without removing the valve from the line. The standard bypass feature permits the flow of water back through the valve into the main when pressures, due to thermal expansion on the outlet side of the valve, exceed the pressure in the main supply.

Features

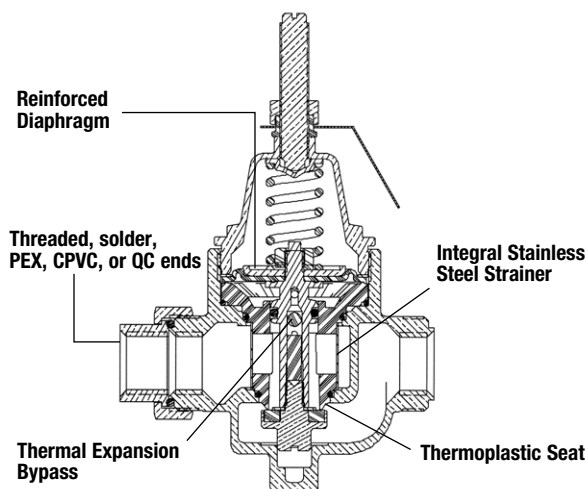
- Double union inlet & outlet connections (option DU)
- Integral stainless steel strainer
- Thermoplastic seat
- Bronze body construction
- Serviceable in line
- Bypass feature controls thermal expansion pressure**
- Sealed spring cage on all models for accessible outdoor or pit installations

Models

N55B-M1	NPT threaded female inlet x NPT female outlet
N55BU-M1	NPT threaded union inlet x NPT female outlet
N55BU-S-M1	Solder union inlet x NPT female outlet
N55BU-QC-M1	Single Union – QC union inlet
N55BDU-M1	Double Union – NPT threaded union female inlet and outlet
N55BDU-S-M1	Double Union – Solder union inlet and outlet
N55BDU-PEX-M1	Double Union – PEX union inlet and outlet
N55BDU-CPVC-M1	Double Union – CPVC union inlet and outlet
N55BDU-QC-M1	Double Union – QC union inlet and outlet

* A water saving test program concluded that reducing the supply pressure from 80 – 50psi (551 – 345 kPa) resulted in a water savings of 30%.

** NOTE: The bypass feature will not prevent the pressure relief valve from opening on the hot water supply system with pressure above 150psi (10.3 bar).



Specifications

Standard Specifications: A Water Pressure Reducing Valve with integral strainer shall be installed in the water service pipe near its entrance to the building where supply main pressure exceeds 60psi (413 kPa) to reduce it to 50psi (345 kPa) or lower. The valve shall feature a bronze body suitable for water supply pressures up to 400psi (27.6 bar). Provision shall be made to permit the bypass flow of water back through the valve into the main when pressures, due to thermal expansion on the outlet side of the valve, exceed the pressure in the main supply. Water Pressure Reducing Valve with built-in bypass check valves will be acceptable. Approved valve shall be listed to ASSE 1003 and IAPMO and certified to CSA B356. Valve shall be a Watts Series N55B-M1.

Materials

Body: Bronze
 Seat: Thermoplastic
 Cage: Bronze
 Integral Strainer: Stainless steel
 Diaphragm: Reinforced EPDM
 Valve Disc: Elastomer

Pressure – Temperature

Temperature Range: 33°F – 180°F (0.5°C – 82°C)
 Maximum Working Pressure: 400psi (27.6 bar)
 Adjustable Reduced Pressure Range: 25 – 75psi (172 – 517 kPa)
 Standard Reduced Pressure Setting: 50psi (345 kPa)

Standards



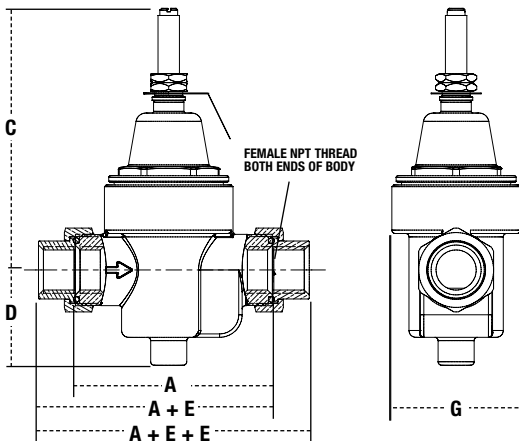
Meets requirements of ASSE Standard 1003; (ANSI A112.26.2) and CSA Standard B356. Listed by IAPMO and City of Los Angeles.

Options

Add Suffix

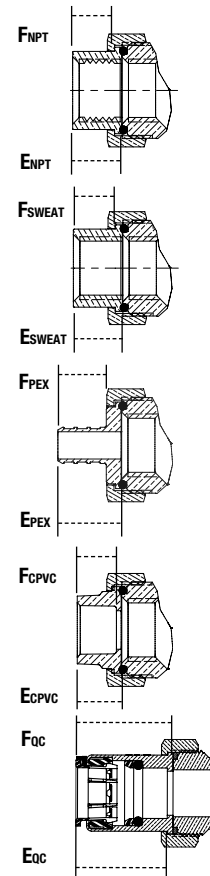
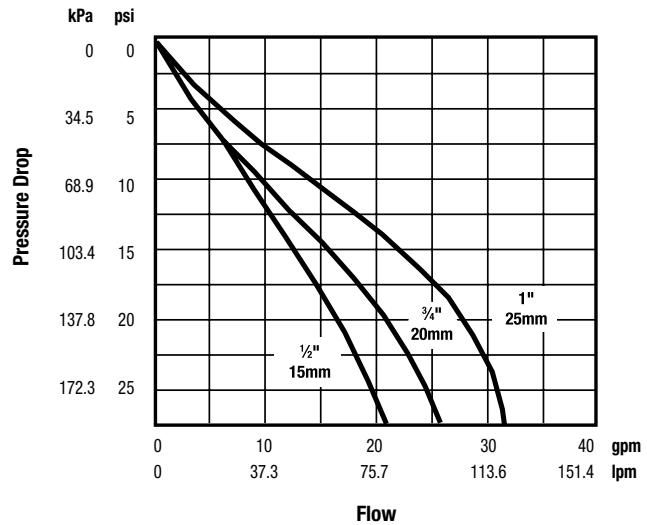
G Gauge tapping
 GG Gauge tapping and 160psi (11 bar) gauge
 LP Low Pressure Range 10-35psi (69-241 kPa)

Dimensions – Weights



ABOVE VALVE SHOWN WITH SINGLE NPT UNION CONNECTION ON INLET
 VALVES MAY BE ORDERED WITH 0,1, OR 2 UNION CONNECTIONS USING ANY COMBINATION OF NPT, SOLDER, PEX OR CPVC CONNECTIONS REQUIRED
 *"F" DIMENSIONS ARE APPROXIMATE ENGAGEMENT LENGTHS.

Capacity



SIZE (DN)		DIMENSIONS														WEIGHT															
in.	mm	A	C	D	ENPT	ESWEAT	EPEX	ECPVC	EQC	FNPT	FSWEAT	FPEX	FCPVC	FOC	G	lbs.	kgs.														
		in.	mm	in.	mm	in.	mm	in.	mm	in.	mm	in.	mm	in.	mm	in.	mm														
1/2	15	3 1/16	88	4 1/16	116	1 1/16	43	5/8	16	5/8	15	1 3/16	21	9/16	15	1 7/16	36	1/2	13	1/2	13	5/8	16	1/2	13	1 1/2	38	2 1/4	57	2	.91
3/4	20	3 1/16	88	4 1/16	116	1 1/16	43	5/8	16	7/8	21	1 5/16	24	1 3/16	21	1 9/16	40	9/16	14	3/4	19	5/8	16	3/4	18	1 1/16	42	2 1/4	57	2	.91
1	25	4 1/8	105	4 1/16	116	1 1/16	43	3/4	20	1	26	1 1/8	29	1 1/16	26	1 11/16	43	1 1/16	17	1 5/16	23	1 3/16	21	1 5/16	23	1 3/4	45	2 1/4	57	3	1.36



A Watts Water Technologies Company



ISO 9001-2008 CERTIFIED

USA: No. Andover, MA • Tel: (978) 688-1811 • Fax: (978) 794-1848 • www.watts.com
 Canada: Burlington, ON • Tel: (905) 332-4090 • Fax: (905) 332-7068 • www.wattscanada.ca