

## For Residential and Commercial Applications

Job Name \_\_\_\_\_

Contractor \_\_\_\_\_

Job Location \_\_\_\_\_

Approval \_\_\_\_\_

Engineer \_\_\_\_\_

Contractor's P.O. No. \_\_\_\_\_

Approval \_\_\_\_\_

Representative \_\_\_\_\_

# Series N45B-EZ

## Water Pressure Reducing Valves\*

Sizes: ½" – 1" (15 – 25mm)

Series N45B-EZ Water Pressure Reducing Valves are designed to reduce incoming water pressure to a sensible level to protect plumbing system components and reduce water consumption. This series is suitable for water supply pressures up to 400psi (27.6 bar) and may be adjusted from 25 – 75psi (172 – 517 kPa). The standard setting is 50psi (345 kPa). All parts are quickly and easily serviceable without removing the valve from the line. The standard bypass feature permits the flow of water back through the valve into the main when pressures, due to thermal expansion on the outlet side of the valve, exceed the pressure in the main supply.

### Features

- Factory calibrated outlet pressure adjustment
- Easily adjustable pressure setting
- Double union inlet & outlet connections (option DU)
- Integral stainless steel strainer
- Thermoplastic cage & seat
- Bronze body construction
- Serviceable in line
- Bypass feature controls thermal expansion pressure\*\*

### Models

N45B-EZ-M1	NPT threaded female inlet x NPT female outlet
N45BU-EZ-M1	NPT threaded union inlet x NPT female outlet
N45BU-EZ-S-M1	Solder union inlet x NPT female outlet
N45BDU-EZ-M1	Double Union – NPT threaded union female inlet and outlet
N45BDU-EZ-S-M1	Double Union – Solder union inlet and outlet
N45BDU-EZ-PEX-M1	Double Union – PEX union inlet and outlet
N45BDU-EZ-CPVC-M1	Double Union – CPVC union inlet and outlet

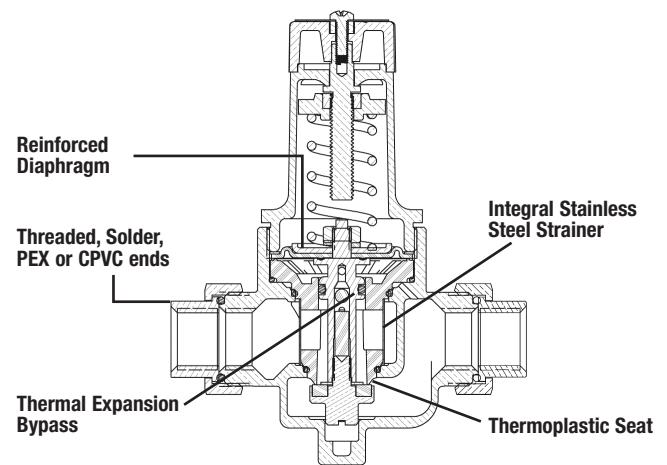
### Specifications

**Standard Specifications:** A Water Pressure Reducing Valve with integral strainer shall be installed in the water service pipe near its entrance to the building where supply main pressure exceeds 60psi (413 kPa) to reduce it to 50psi (345 kPa) or lower. The valve shall feature a bronze body suitable for water supply pressures up to 400psi (27.6 bar). Provision shall be made to permit the bypass flow of water back through the valve back into the main when pressures, due to thermal expansion on the outlet side of the valve, exceed the pressure in the main supply. Water Pressure Reducing Valve with built-in bypass check valves will be acceptable. Approved valve shall be listed to ASSE 1003 and IAPMO and certified to CSA B356. Valve shall be a Watts Regulator Company N45B-EZ-M1.

\* A water saving test program concluded that reducing the supply pressure from 80-50psi (551-345 kPa) resulted in a water savings of 30%.

\*\* NOTE: The bypass feature will not prevent the pressure relief valve from opening on the hot water supply system with pressure above 150psi (10.3 bar).

N45BDU-EZ-M1



**Lead Free Specifications:** A Water Pressure Reducing Valve with integral strainer shall be installed in the water service pipe near its entrance to the building where supply main pressure exceeds 60psi (413 kPa) to reduce it to 50psi (345 kPa) or lower. The valve shall feature a bronze body where suitable for water supply pressures up to 400psi (27.6 bar). The combined metal components of the valve contacted by potable water shall contain less than one half of one percent (0.5%) lead by weight. Provision shall be made to permit the bypass flow of water back through the valve back into the main when pressures, due to thermal expansion on the outlet side of the valve, exceed the pressure in the main supply. Water Pressure Reducing Valve with built-in bypass check valves will be acceptable. Approved valve shall be listed to ASSE 1003 and IAPMO and certified to CSA B356. Valve shall be a Watts Regulator Company LF N45B-EZ-M1.

## Materials

Body:	Bronze
Seat:	Thermoplastic
Cage:	Thermoplastic
Integral Strainer:	Stainless steel
Diaphragm:	Reinforced EPDM
Valve Disc:	Elastomer

## Pressure – Temperature

Temperature Range: 33°F – 180°F (0.5°C – 82°C)  
 Maximum Working Pressure: 400psi (27.6 bar)  
 Adjustable Reduced Pressure Range: 25-75psi (172 - 517 kPa)  
 Standard Reduced Pressure Setting: 50psi (345 kPa)

## Standards



Meets requirements of ASSE Standard 1003; (ANSI A112.26.2); CSA Standard B356; and listed by IAPMO.

## Options

### Add Suffix

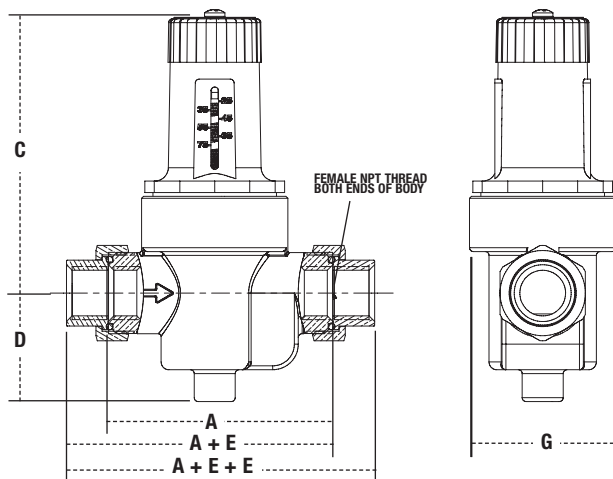
G	Gauge tapping
GG	Gauge tapping and 160psi (11 bar) gauge

### Add Prefix

LF	Lead Free <sup>†</sup> construction
----	-------------------------------------

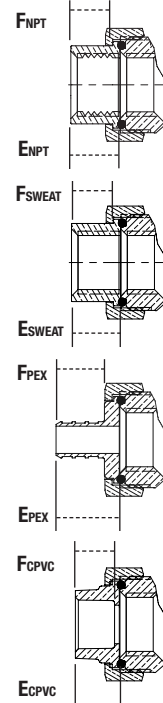
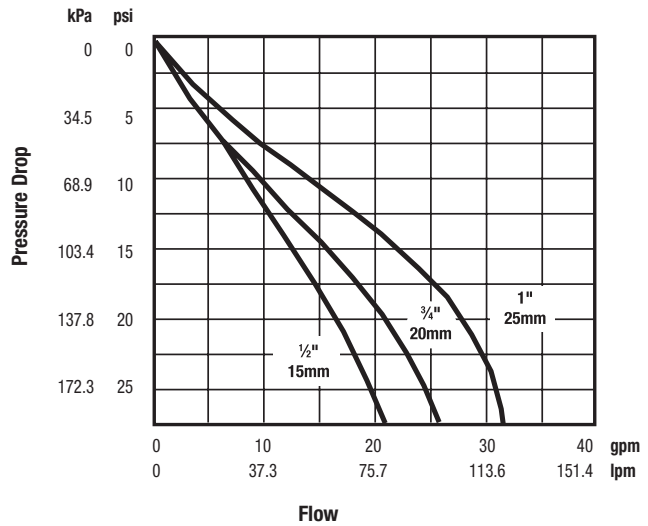
<sup>†</sup>The combined metal components of this product contacted by potable water contain less than one half of one percent (0.5%) of lead by weight.

## Dimensions - Weights



ABOVE VALVE SHOWN WITH SINGLE NPT UNION CONNECTION ON INLET  
 VALVES MAY BE ORDERED WITH 0,1, OR 2 UNION CONNECTIONS USING ANY COMBINATION OF NPT, SOLDER, PEX OR CPVC CONNECTIONS REQUIRED  
 \*F\* DIMENSIONS ARE APPROXIMATE ENGAGEMENT LENGTHS.

## Capacity



SIZE (DN)		DIMENSIONS										WEIGHT															
in.	mm	A	C	D	ENPT	ESWEAT	EPEX	ECPVC	FNPT	FSWEAT	FPEX	FCPVC	G	lbs	kg												
in.	mm	in.	mm	in.	mm	in.	mm	in.	mm	in.	mm	in.	mm	in.	mm												
1/2	15	3/16	88	4 3/8	111	1 11/16	43	5/8	16	5/8	15	1 3/16	21	9/16	15	1 1/2	13	1 1/2	13	5/8	16	1/2	13	2 1/4	57	1.75	.79
3/4	20	3/16	88	4 3/8	111	1 11/16	43	5/8	16	7/8	21	1 5/16	24	1 3/16	21	9/16	14	3/4	19	5/8	16	3/4	18	2 1/4	57	1.75	.79
1	25	4 1/8	105	4 3/8	111	1 11/16	43	3/4	20	1	26	1 1/8	29	1 1/16	26	1 1/16	17	1 5/16	23	1 3/16	21	1 5/16	23	2 1/4	57	2	.91



Water Safety & Flow Control Products



ISO 9001-2000  
CERTIFIED

USA: 815 Chestnut St., No. Andover, MA 01845-6098; www.watts.com

Canada: 5435 North Service Rd., Burlington, ONT. L7L 5H7; www.wattscanada.ca