



T&S BRASS AND BRONZE WORKS, INC.
 2 Saddleback Cove / P.O. Box 1088
 Travelers Rest, SC 29690

Model No.
MV-2516-21

Item No.

Travelers Rest, SC: 800-476-4103 • Simi Valley, CA: 800-423-0150 • Fax: 864-834-3518 • www.tsbrass.com

This Space for Architect/Engineer Approval

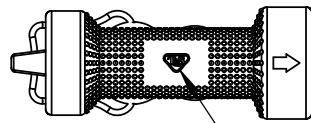
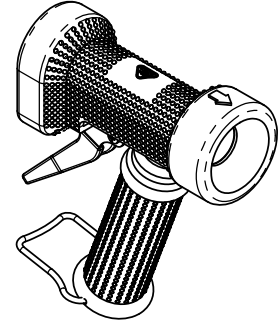
Job Name _____ Date _____

Model Specified _____ Quantity _____

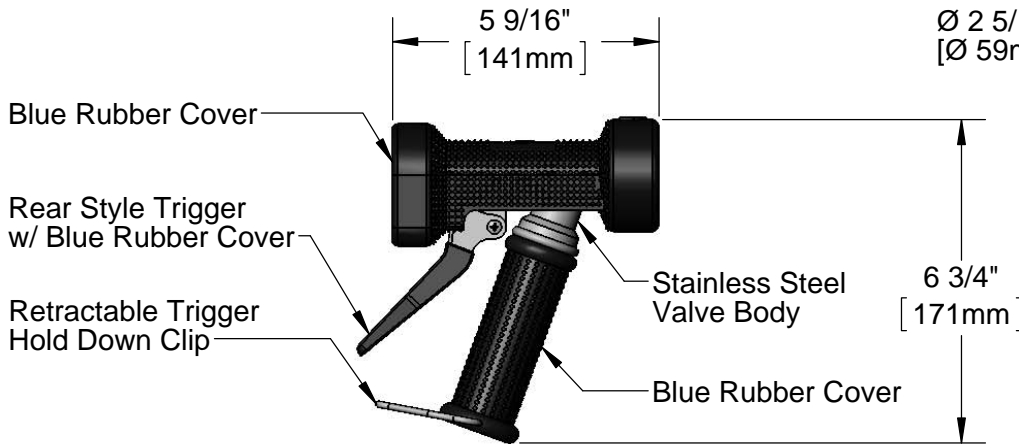
Customer/Wholesaler _____

Contractor _____

Architect/Engineer _____

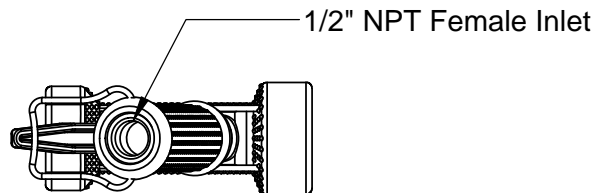
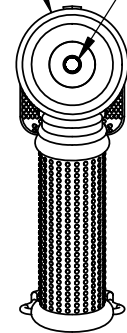


T&S Logo on Top



Ø 2 5/16" [Ø 59mm]

Ø 5/16" Flow Orifice



1/2" NPT x 1/2" Hose Barb Connector (Included)

Product Specifications:
 Stainless Steel Water Gun w/ Blue Rubber Cover, Rear Style Trigger, Ø 5/16" Flow Orifice, & 1/2" NPT x 1/2" Hose Barb Connector

Drawn DHL	Checked DMH	Approved JHB
Scale: 1:4		Date: 12/20/12