



T&S BRASS AND BRONZE WORKS, INC.

2 Saddleback Cove / P.O. Box 1088
Travelers Rest, SC 29690



REG. #A2601
ISO #9001

Model No.
MPY-2DCN-06

Item No.

Travelers Rest, SC: 800-476-4103 Simi Valley, CA: 800-423-0150 Fax: 864-834-3518 www.tsbrass.com

This Space for Architect/Engineer Approval

Job Name _____ Date _____

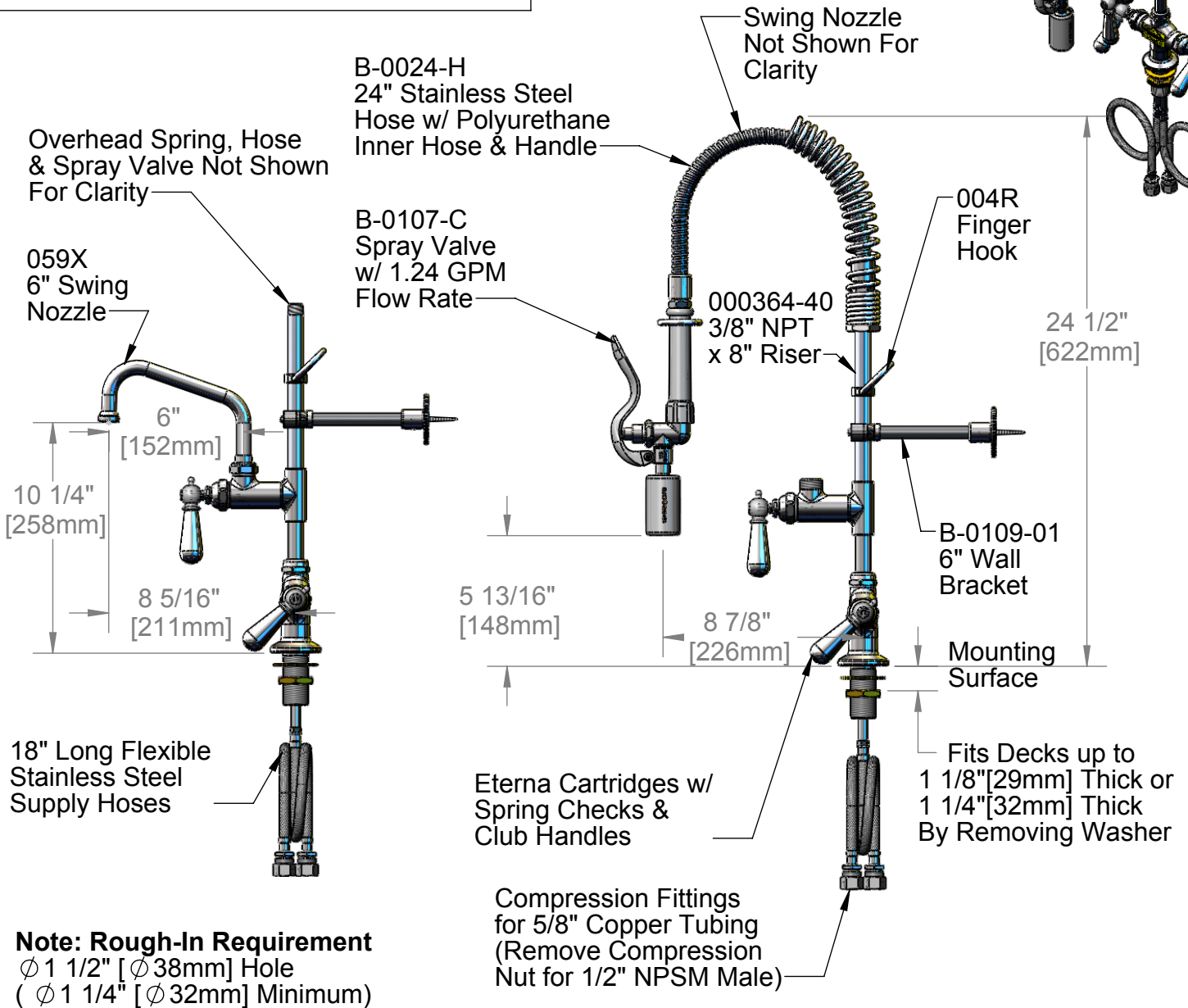
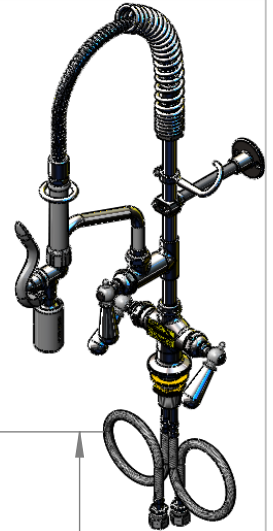
Model Specified _____ Quantity _____

Customer/Wholesaler _____

Contractor _____

Architect/Engineer _____

EPAct2005 Compliant
For Commercial Use Only



Product Specifications:
Easy Install Pre-Rinse Unit:
Single Deck Mount Base Mixing Faucet, Add on Faucet,
6" Swing Nozzle, Compact Spring & Flex Hose, B-0107-C
Spray Valve, 6" Wall Bracket & Chrome Club Handles

Drawn JRM	Checked GEF	Approved JHB
Scale: 1:8	Date: 03/20/08	



T&S BRASS AND BRONZE WORKS, INC.

2 Saddleback Cove / P.O. Box 1088
Travelers Rest, SC 29690



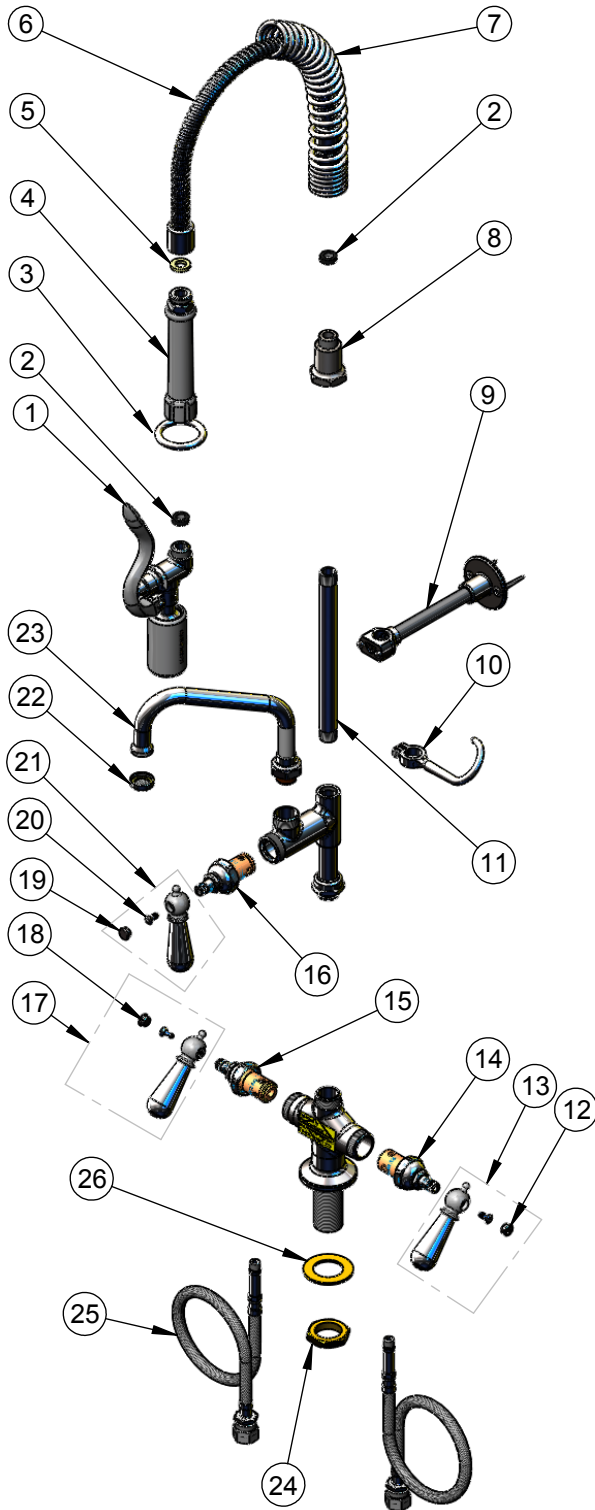
REG. #A2601
ISO #9001

Model No.

MPY-2DCN-06

Item No.

Travelers Rest, SC: 800-476-4103 Simi Valley, CA: 800-423-0150 Fax: 864-834-3518 www.tsbrass.com



ITEM NO.	SALES NO.	DESCRIPTION
1	B-0107-C	Low Flow Spray Valve
2	010476-45	#27 Washer
3	000907-45	Hold Down Ring
4	002987-40	Grip Handle Assembly
5	010475-45	Washer, B-0100 Hose Barrel
6	B-0024-H2A	24" Flex Hose Less Handle
7	016795-45	Compact Pre-Rinse Spring
8	000821-40	Spring Body
9	B-0109-01	Bracket Assembly, 6" Wall
10	004R	Finger Hook
11	000364-40	3/8" x 8" Riser
12	009304-41	Cap Insert, Cold
13	009331-41	Decorative Handle Asm-Cold
14	002711-40	Spindle Asm, Eterna SC Cold
15	002712-40	Spindle Asm, Eterna SC Hot
16	005960-40	Spindle Asm, Eterna "Hot"
17	009332-41	Decorative Handle Asm-Hot
18	009303-41	Cap Insert, Hot
19	009285-41	Cap Insert, Blank
20	000922-45	Screw
21	017181-41	Decorative Handle Asm-Blank
22	B-PT	Stream Regulator Outlet
23	059X	6" Swing Nozzle
24	000965-45	Lock Nut
25	012534-45	Flexible Connector Hose
26	007365-45	Lock Washer

Product Specifications:

Easy Install Pre-Rinse Unit:
Single Deck Mount Base Mixing Faucet, Add on Faucet,
6" Swing Nozzle, Compact Spring & Flex Hose, B-0107-C
Spray Valve, 6" Wall Bracket & Chrome Club Handles

Drawn JRM	Checked GEF	Approved JHB
Scale: NTS		Date: 03/20/08