



T&S BRASS AND BRONZE WORKS, INC.
 2 SADDLEBACK COVE / P.O. BOX 1088 / TRAVELERS REST, SC 29690
 PHONE 800-476-4103 - FAX 864- 834-3518



Sales No.

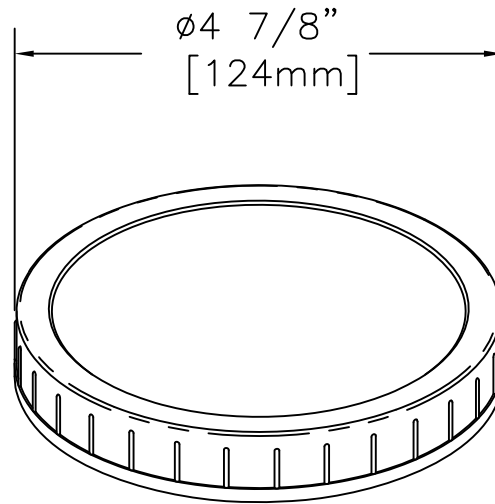
EW-SP131

RELIABILITY
 BUILT IN

Job Name:

Architect/Engineer Approval:

Notes:



Product Description:
 THREADED CAP, PORTABLE EYEWASH

Drawn:

DMH

Checked

GEF

Scale:

1:2

Approved

JHB

Date:

12/20/10