



T&S BRASS AND BRONZE WORKS, INC.

2 Saddleback Cove / P.O. Box 1088
Travelers Rest, SC 29690

Model No.

EC-3103

Item No.

Travelers Rest, SC: 800-476-4103 • Simi Valley, CA: 800-423-0150 • Fax: 864-834-3518 • www.tsbrass.com

This Space for Architect/Engineer Approval

Job Name _____ Date _____

Model Specified _____ Quantity _____

Customer/Wholesaler _____

Contractor _____

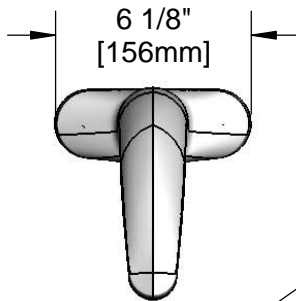
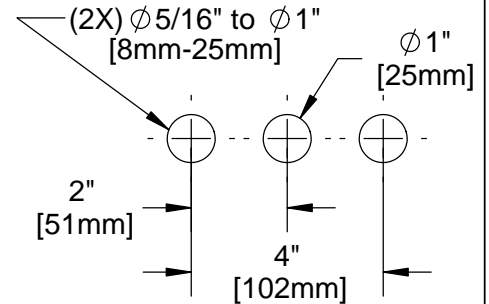
Architect/Engineer _____



ADA Compliant



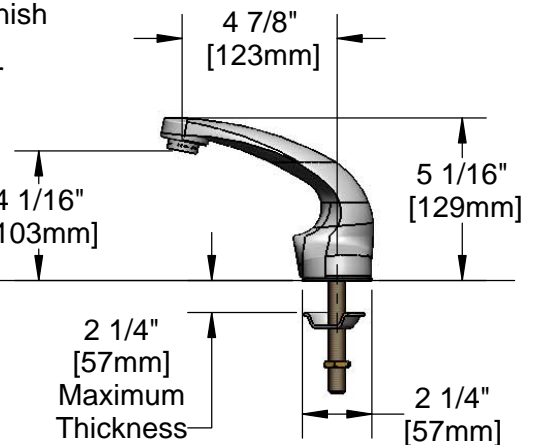
Mounting Hole Detail



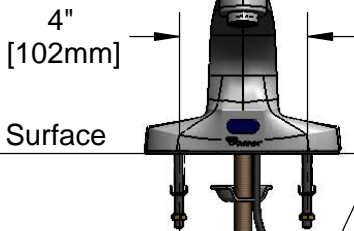
Solid Cast Brass Spout w/
Polish Chrome Plated Finish
and 2.2 GPM [8.3L/min]
Vandal Resistant Aerator

24" [610mm]
Sensor Cable

Removable
Strainer



Mounting Surface



1/2" NPSM x 1/4" NPSM
18" [457mm] Long Flexible
Stainless Steel Hose

3 5/8" x 4 3/16" x 2" Deep
[92mm x 106mm x 51mm]
Water Resistant Control Module Box (Blue)
w/ Internal Flow Control Setting
Switches, AC or DC Operated w/ (4) AA Batteries.
Hardwire Capable Using Terminals on Back

100-240 VAC Adapter
w/ 144" [3658mm] Long
Double Power Cord.
(Remove Rubber Plugs
on Module and Cable
to Connect)

Temperature Mixing Valve
w/ Integral Check Valves

(2) 3/8" Compression x 1/2" NPSM
18" [457mm] Flexible Stainless Steel
Supply Hose

Product Specifications:

Chrome Plated Brass Electronic Faucet: 4" Deck Mount Spout w/
VR Aerator, AC/DC Control Module w/ Internal Flow Control Setting
Switches, Temperature Control Mixing Valve w/ Integral Check Valves,
18" Long Hot & Cold Supply Stop Flexible Connector Hoses

Drawn

KJG

Checked

GEF

Approved

JHB

Scale:

1:6

Date:

07/20/12



T&S BRASS AND BRONZE WORKS, INC.

2 Saddleback Cove / P.O. Box 1088
Travelers Rest, SC 29690

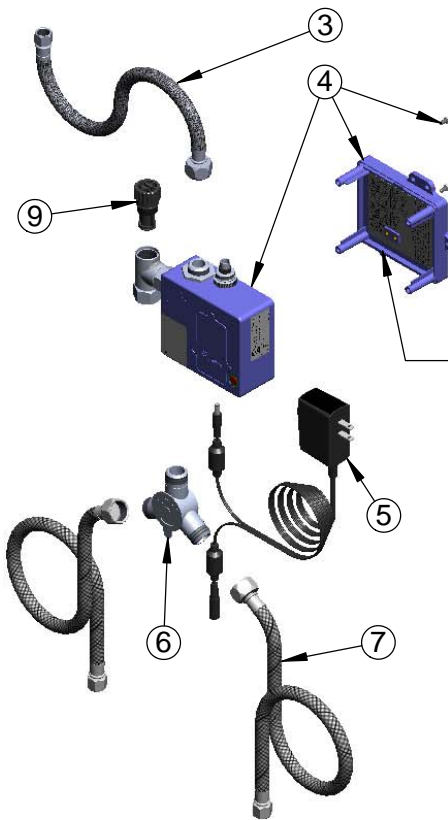
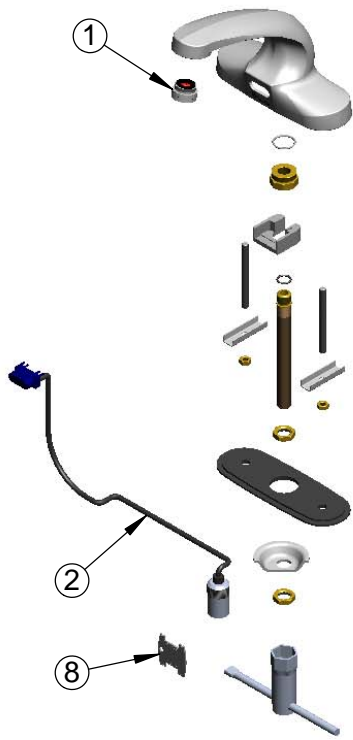
Model No.

EC-3103

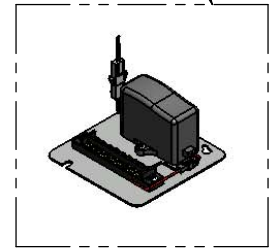
Item No.

Travelers Rest, SC: 800-476-4103 • Simi Valley, CA: 800-423-0150 • Fax: 864-834-3518 • www.tsbrass.com

ITEM NO.	SALES NO.	DESCRIPTION
1	016355-45	Aerator w/ Key, Vandal Resistant, 2.2 GPM, 13/16-27 Male
2	017195-45	Angled Sensor w/ Cable
3	016297-45	Inlet Hose, Faucet, 1/2" NPSM-F x 1/4" NPSM-F
4	016647-45	ChekPoint Module (Blue)
5	5EF-0002	Double Gang, Plug-in A/C Transformer
6	5EF-0006	Mechanical Mixing Valve
7	5EF-0005	Supply Hose, 9/16-24 Female x 1/2" NPSM
8	015425-45	Vandal Resistant Key
9	EC-FILTER	Replacement Filter



Maximum of (8) ChekPoint Faucets Can be Hardwire Connected and Powered by ChekPoint Hardwire AC Transformer. EC-HARDWIRE (Sold Separately)



Label for Flow Control Switch Settings is Located on Inside of Back Cover

Flow Control Switches are Located Inside Module Housing in Black Box Next to Battery Compartment.
*Switches are Set to DEFAULT Position:
Auto Time Out = 10 seconds
Shut Off Delay = 1 second
Auto Flush = OFF

Remove (4) Screws and Back Cover to Access Switches

***Available Water Flow Control Selections:**

(6) Auto Time Out Selections - 10 sec, 25 sec, 45 sec, 60 sec, 3 min, 20 min

(4) Shut Off Delay Selections - 1 sec, 2 sec, 4 sec, 10 sec

Auto Flush for 30 Seconds After Every 12 Inactive Hours - ON or OFF

Product Specifications:

Chrome Plated Brass Electronic Faucet: 4" Deck Mount Spout w/ VR Aerator, AC/DC Control Module w/ Internal Flow Control Setting Switches, Temperature Control Mixing Valve w/ Integral Check Valves, 18" Long Hot & Cold Supply Stop Flexible Connector Hoses

Drawn KJG	Checked GEF	Approved JHB
Scale: NTS		Date: 07/20/12