



T&S BRASS AND BRONZE WORKS, INC.
 2 Saddleback Cove / P.O. Box 1088
 Travelers Rest, SC 29690

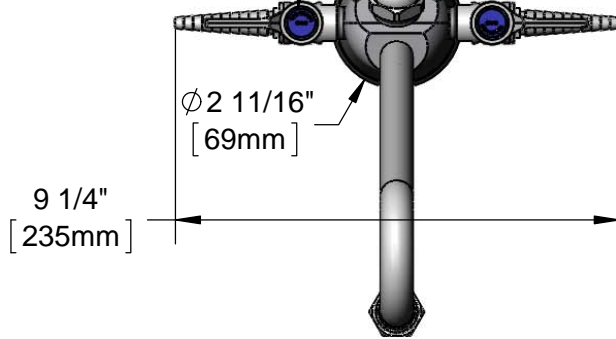
Model No.
BL-6000-02

Item No.

Travelers Rest, SC: 800-476-4103 • Simi Valley, CA: 800-423-0150 • Fax: 864-834-3518 • www.tsbrass.com

Ball Valve Hose Cock w/
 Dark Blue "GAS" Index

4 Arm Handle w/
 Green "CW" Index

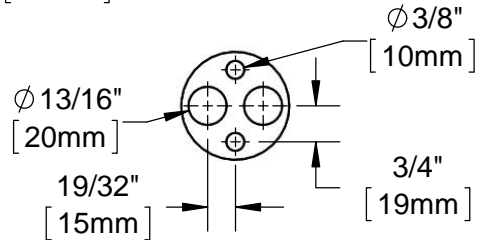
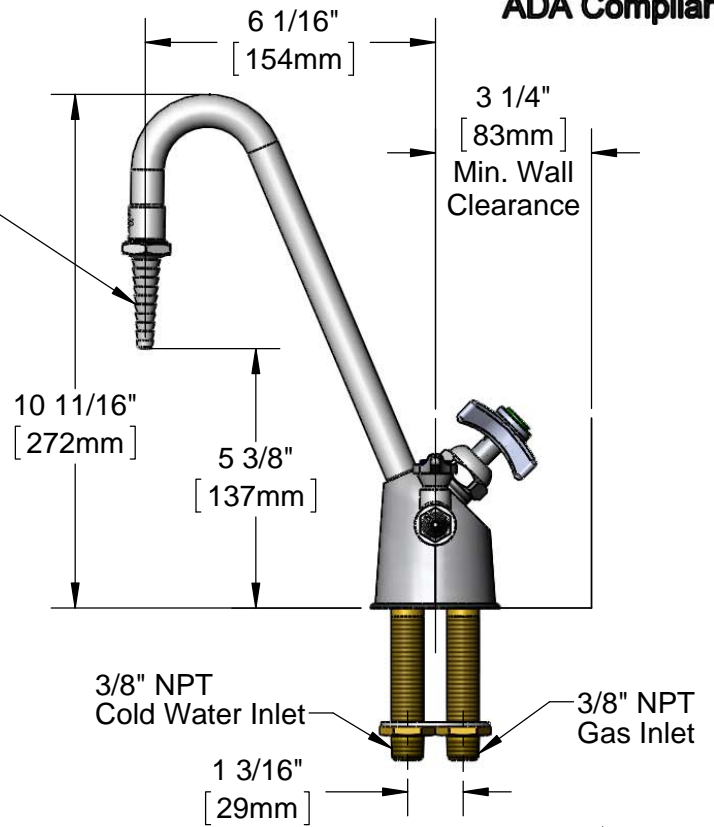


1 11/16"
 [43mm]

Serrated Tips Accept
 1/4" to 3/8" ID Hoses

Removable
 Serrated Tip

2 3/8"
 [60mm]
 Max. Thickness



Mounting Washer / Rough-In Detail

NOTES:

- Natural Gas Pressure: 0.5 PSIG Max.
 (For Natural Gas above 0.5 PSIG or Oxygen and Specialty Gases, use BL-4010-01 Gas Cock.)
- Certified to ANSI Z21.15a / CSA 9.1a

This Space for Architect/Engineer Approval

Job Name _____ Date _____

Model Specified _____ Quantity _____

Customer/Wholesaler _____

Contractor _____

Architect/Engineer _____

Product Specifications:
 Combination Gas & Water Fixture w/ (2) Ball Valve Gas Cocks,
 6" Rigid Gooseneck w/ Serrated Tip & 3/8" NPT Male Inlets

Drawn DMH	Checked JRM	Approved JHB
---------------------	-----------------------	------------------------

Scale: 1:4	Date: 05/21/12
----------------------	--------------------------



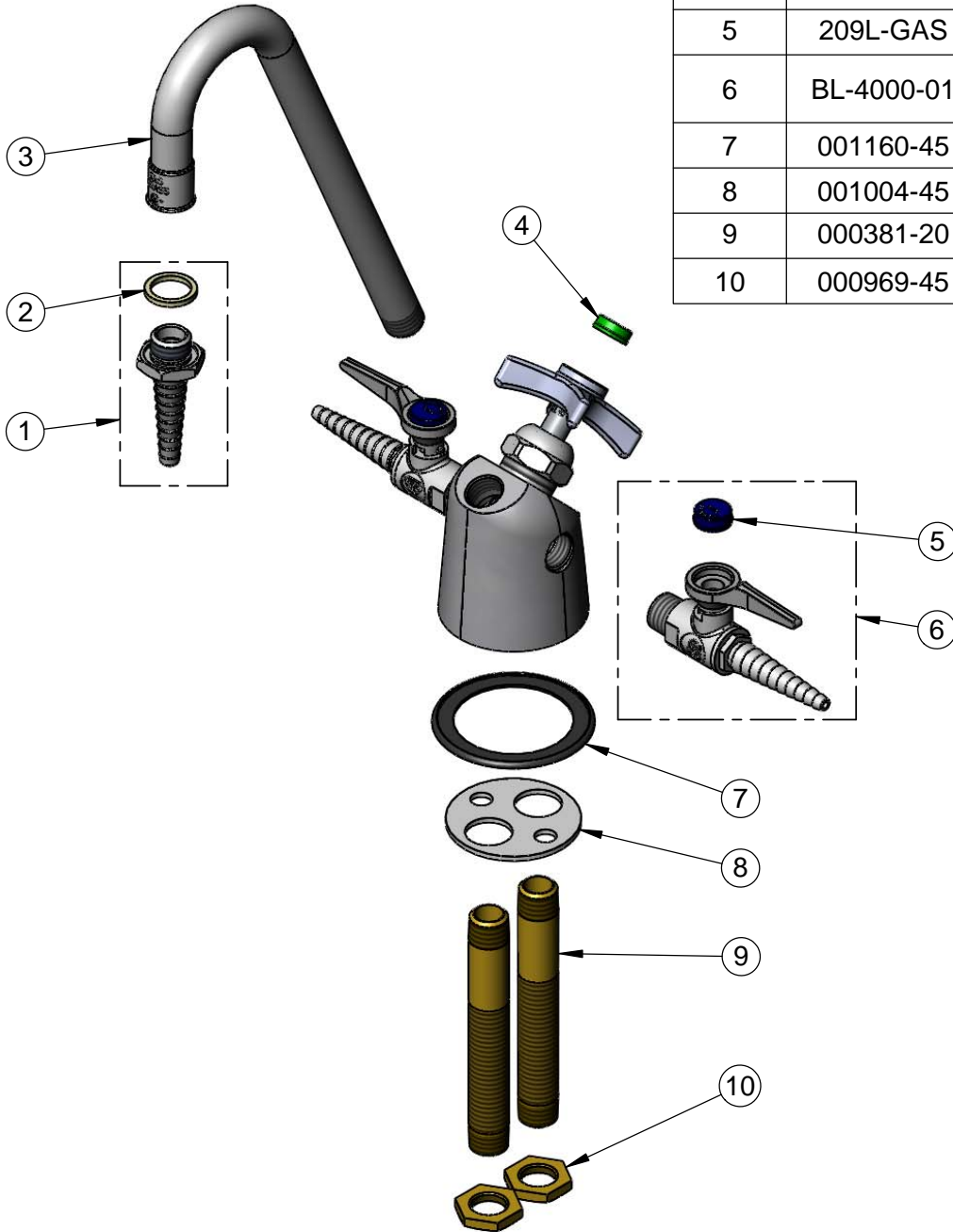
T&S BRASS AND BRONZE WORKS, INC.
 2 Saddleback Cove / P.O. Box 1088
 Travelers Rest, SC 29690

Model No.
BL-6000-02

Item No.

Travelers Rest, SC: 800-476-4103 • Simi Valley, CA: 800-423-0150 • Fax: 864-834-3518 • www.tsbrass.com

ITEM NO.	SALES NO.	DESCRIPTION
1	B-0198	Serrated Tip
2	001051-45	Washer
3	000392-40	Gooseneck, 3/8", Rigid, Brass
4	001191-45	Green CW Index
5	209L-GAS	Cap, Index, Blue, Gas
6	BL-4000-01	Ball Valve Hose Cock w/ GAS, AIR & VAC Indexes
7	001160-45	Gasket, BL-6000
8	001004-45	Washer, Turret BL-6000, Brass
9	000381-20	Nipple, Supply, 3/8" Pipe, Brass
10	000969-45	Nut, Lock, 3/8" NPSL, Brass



Product Specifications:
 Combination Gas & Water Fixture w/ (2) Ball Valve Gas Cocks,
 6" Rigid Gooseneck w/ Serrated Tip & 3/8" NPT Male Inlets

Drawn DMH	Checked JRM	Approved JHB
Scale: NTS		Date: 05/21/12