



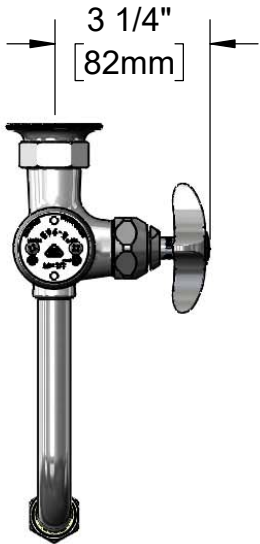
T&S BRASS AND BRONZE WORKS, INC.
 2 Saddleback Cove / P.O. Box 1088
 Travelers Rest, SC 29690

Model No.
BL-5710-07
 Item No.

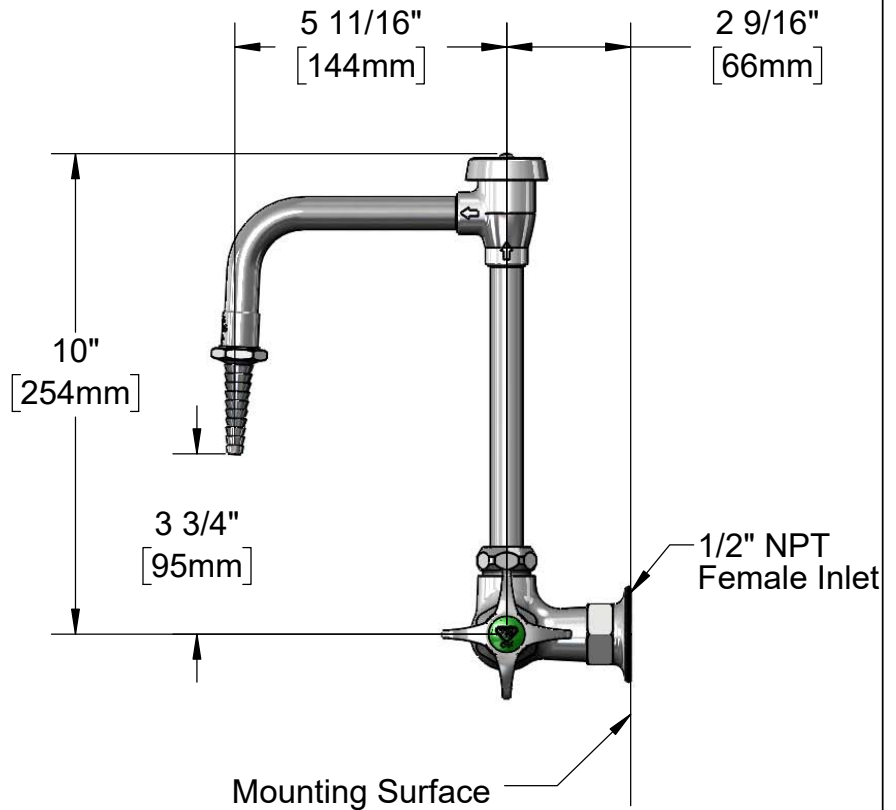
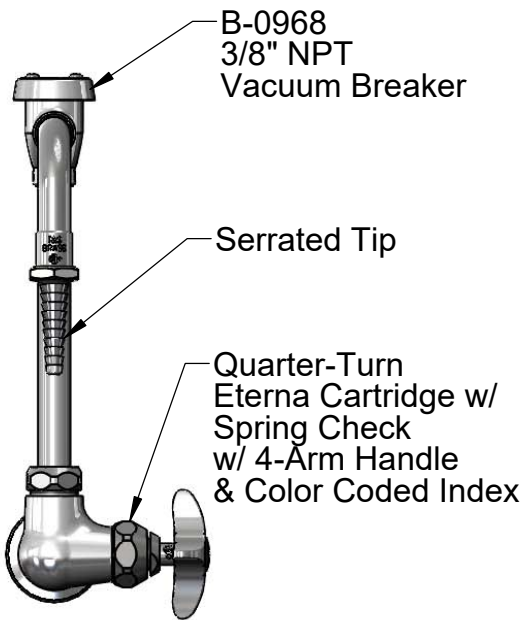
Travelers Rest, SC: 800-476-4103 • Simi Valley, CA: 800-423-0150 • Fax: 864-834-3518 • www.tsbrass.com

This Space for Architect/Engineer Approval

Job Name _____ Date _____
 Model Specified _____ Quantity _____
 Customer/Wholesaler _____
 Contractor _____
 Architect/Engineer _____



ADA Compliant



Product Specifications:
 Single Temperature Lab Faucet w/ Vacuum Breaker Swivel Nozzle, Quarter-Turn Eterna Cartridge w/ Spring Check, Serrated Tip Outlet, 4-Arm Lab Handle & 1/2" NPT Female Inlet

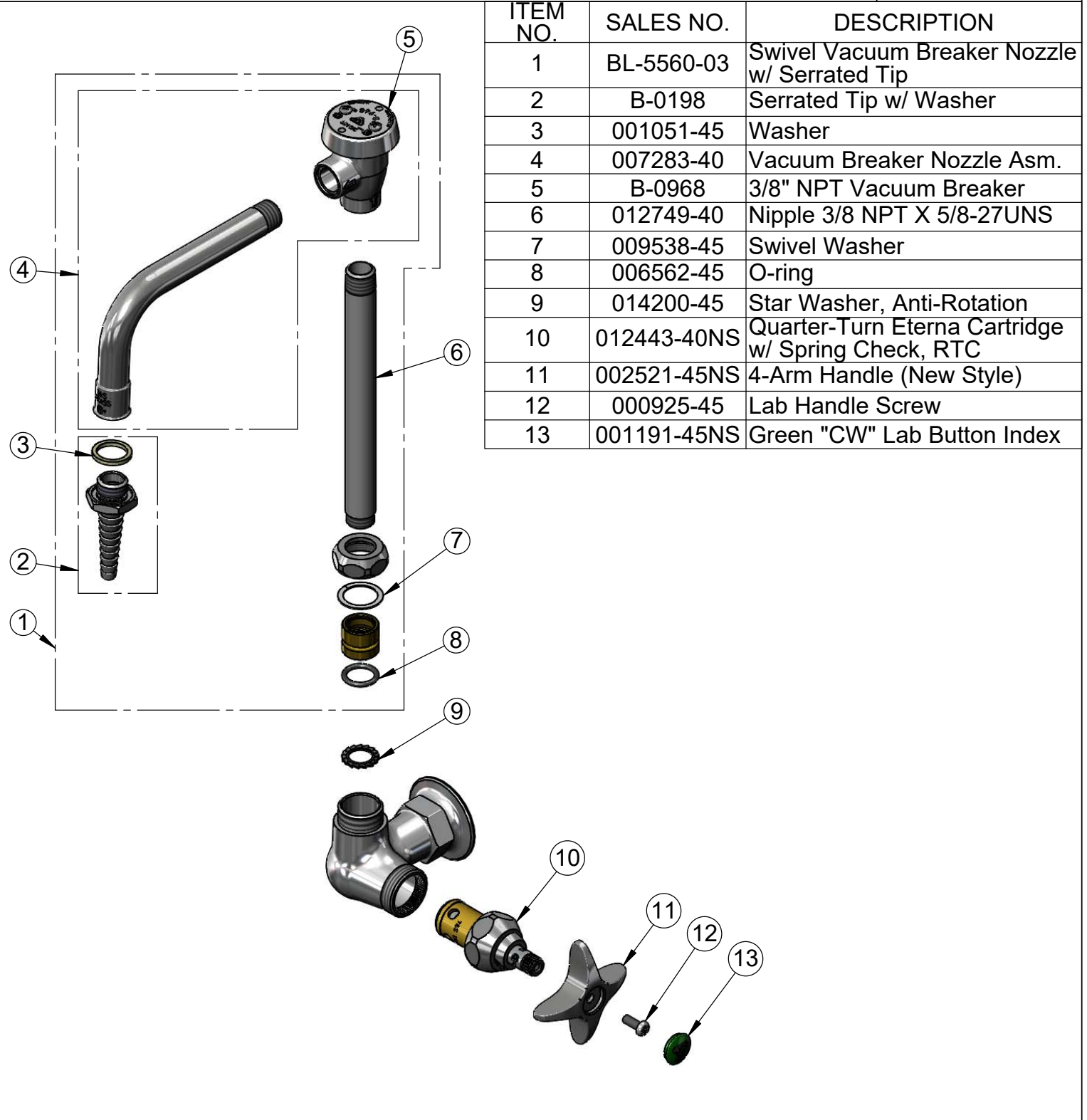
Product Compliance:
 ASME A112.18.1 / CSA B125.1
 NSF 61 - Section 9
 NSF 372 (Low Lead Content)
 ANSI A117.1 (ADA)
 ASSE 1001 (VB)



T&S BRASS AND BRONZE WORKS, INC.
 2 Saddleback Cove / P.O. Box 1088
 Travelers Rest, SC 29690

Model No.
BL-5710-07
 Item No.

Travelers Rest, SC: 800-476-4103 • Simi Valley, CA: 800-423-0150 • Fax: 864-834-3518 • www.tsbrass.com



ITEM NO.	SALES NO.	DESCRIPTION
1	BL-5560-03	Swivel Vacuum Breaker Nozzle w/ Serrated Tip
2	B-0198	Serrated Tip w/ Washer
3	001051-45	Washer
4	007283-40	Vacuum Breaker Nozzle Asm.
5	B-0968	3/8" NPT Vacuum Breaker
6	012749-40	Nipple 3/8 NPT X 5/8-27UNS
7	009538-45	Swivel Washer
8	006562-45	O-ring
9	014200-45	Star Washer, Anti-Rotation
10	012443-40NS	Quarter-Turn Eterna Cartridge w/ Spring Check, RTC
11	002521-45NS	4-Arm Handle (New Style)
12	000925-45	Lab Handle Screw
13	001191-45NS	Green "CW" Lab Button Index

Product Specifications:
 Single Temperature Lab Faucet w/ Vacuum Breaker Swivel Nozzle, Quarter-Turn Eterna Cartridge w/ Spring Check, Serrated Tip Outlet, 4-Arm Lab Handle & 1/2" NPT Female Inlet

Product Compliance:
 ASME A112.18.1 / CSA B125.1
 NSF 61 - Section 9
 NSF 372 (Low Lead Content)
 ANSI A117.1 (ADA)
 ASSE 1001 (VB)