



T&S BRASS AND BRONZE WORKS, INC.

2 Saddleback Cove / P.O. Box 1088
Travelers Rest, SC 29690



REG. #A2601
ISO #9001

Model No.

BL-5707-01

Item No.

Travelers Rest, SC: 800-476-4103 • Simi Valley, CA: 800-423-0150 • Fax: 864-834-3518 • www.tsbrass.com

This Space for Architect/Engineer Approval

Job Name _____ Date _____

Model Specified _____ Quantity _____

Customer/Wholesaler _____

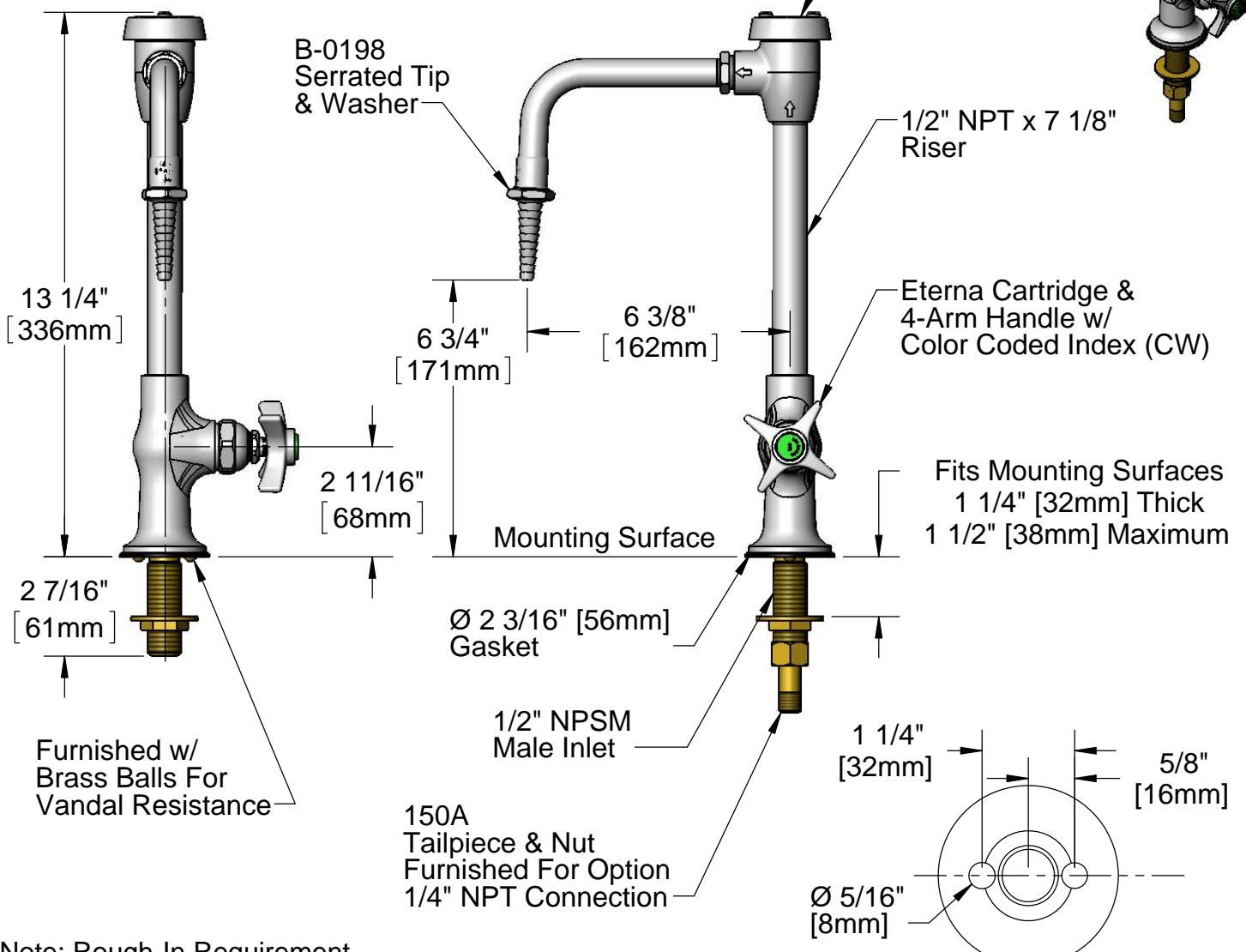
Contractor _____

Architect/Engineer _____



ADA Compliant

B-0969
1/2" NPT
Vacuum Breaker



Note: Rough-In Requirement
Ø 1" [25mm] Mounting Hole

Base Drilling Detail

Product Specifications:
Vandal Resistant Single Temperature Laboratory Faucet w/
Rigid Vacuum Breaker Nozzle, Serrated Tip Outlet &
1/2" NPSM Male Shank Inlet

Drawn DHL	Checked DMH	Approved JHB
Scale: 1:4		Date: 08/24/11



T&S BRASS AND BRONZE WORKS, INC.

2 Saddleback Cove / P.O. Box 1088
Travelers Rest, SC 29690



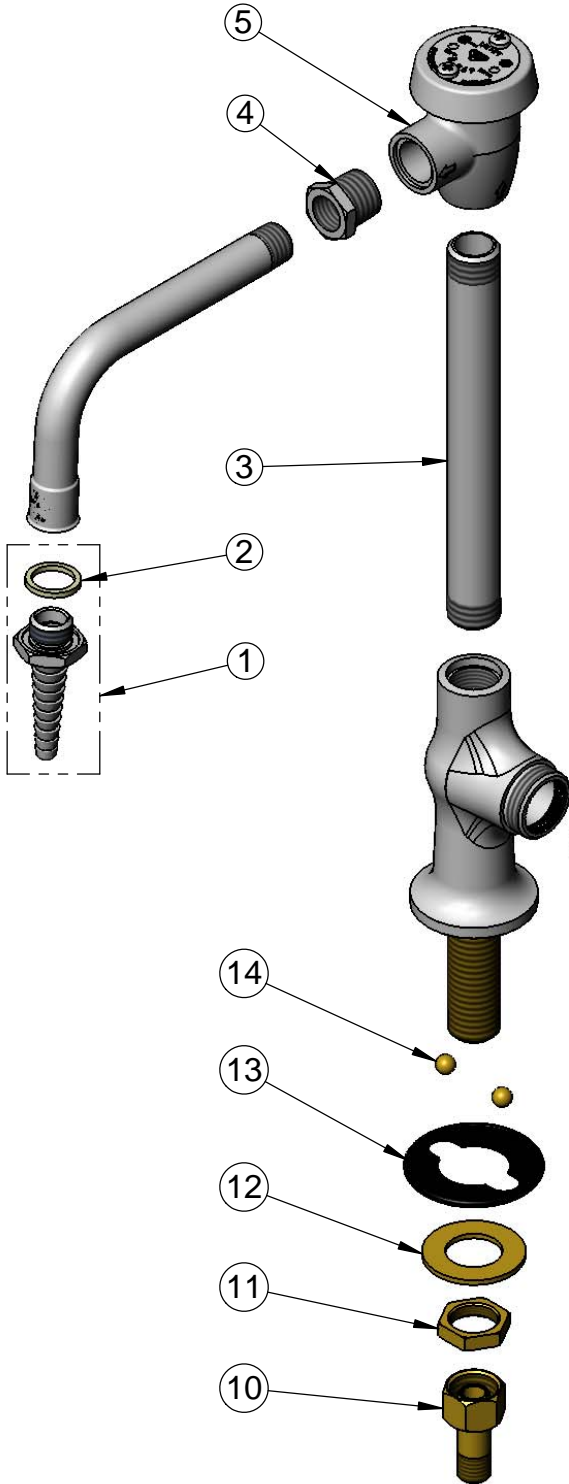
REG. #A2601
ISO #9001

Model No.

BL-5707-01

Item No.

Travelers Rest, SC: 800-476-4103 • Simi Valley, CA: 800-423-0150 • Fax: 864-834-3518 • www.tsbrass.com



ITEM NO.	SALES NO.	DESCRIPTION
1	B-0198	Serrated Tip w/ Washer
2	001051-45	Washer
3	001507-40	BL-5707 Riser
4	001359-40	Hex Bushing, 1/2" Male x 3/8" Female
5	B-0969	Vacuum Breaker, 1/2"
6	005960-40	Eterna Cartridge - RTC
7	000059-40	4-Arm Lab Handle
8	000925-45	Lab Handle Screw
9	001191-45	Cap, Index, Green, Cold Water
10	150A	Bag of (1) Nut & (1) Tailpiece
11	002954-45	Shank Lock Nut
12	000999-45	Brass Lock Washer
13	144L	Gasket Polypropylene
14	001408-45	5/16" Brass Ball (1)

Product Specifications:
Vandal Resistant Single Temperature Laboratory Faucet w/
Rigid Vacuum Breaker Nozzle, Serrated Tip Outlet &
1/2" NPSM Male Shank Inlet

Drawn DHL	Checked DMH	Approved JHB
Scale: NTS		Date: 08/24/11