

# T&S BRASS AND BRONZE WORKS, INC.

2 Saddleback Cove / P.O. Box 1088  
Travelers Rest, SC 29690

Model No.

**BL-5705-08**

Item No.

Travelers Rest, SC: 800-476-4103 • Simi Valley, CA: 800-423-0150 • Fax: 864-834-3518 • www.tsbrass.com



**ADA Compliant**

This Space for Architect/Engineer Approval

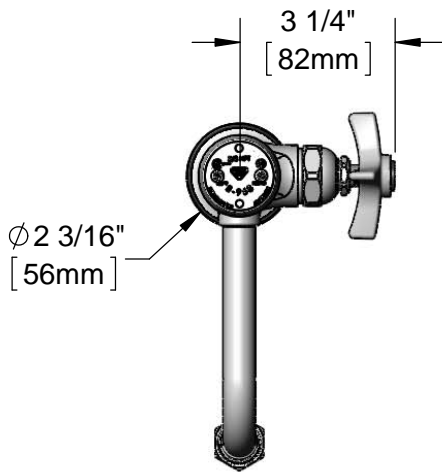
Job Name \_\_\_\_\_ Date \_\_\_\_\_

Model Specified \_\_\_\_\_ Quantity \_\_\_\_\_

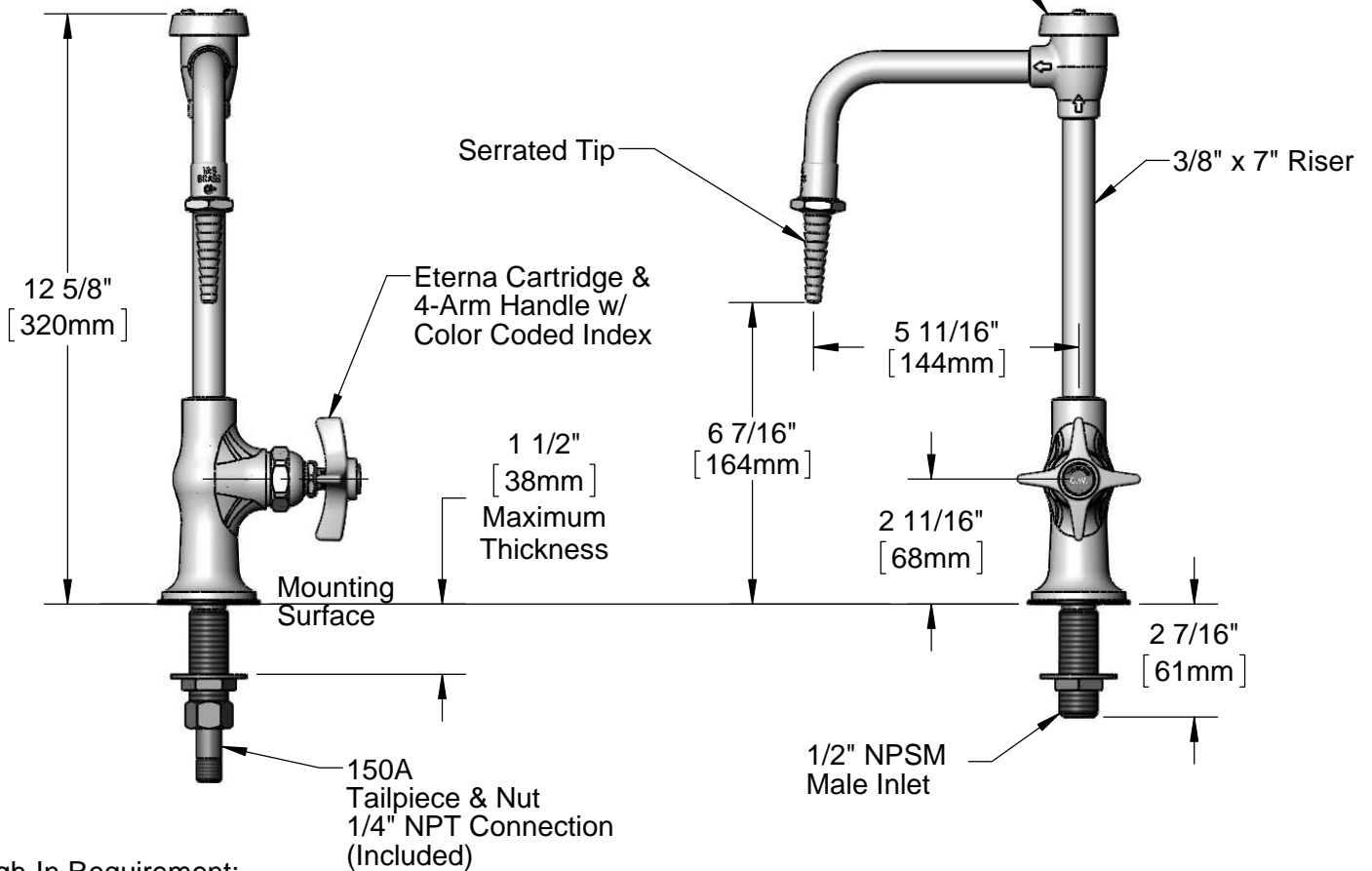
Customer/Wholesaler \_\_\_\_\_

Contractor \_\_\_\_\_

Architect/Engineer \_\_\_\_\_



Ø 2 3/16"  
[56mm]



Rough-In Requirement:  
Ø 1" [25mm] Mounting Hole

Product Specifications:  
Single Temperature Deck Mount Lab Faucet w/ Eterna Cartridge,  
Rigid Vacuum Breaker Nozzle, Serrated Tip & 1/2" NPSM Male Inlet

Drawn <b>DMH</b>	Checked <b>DHL</b>	Approved <b>JHB</b>
Scale: <b>1:4</b>		Date: <b>08/29/12</b>



# T&S BRASS AND BRONZE WORKS, INC.

2 Saddleback Cove / P.O. Box 1088

Travelers Rest, SC 29690

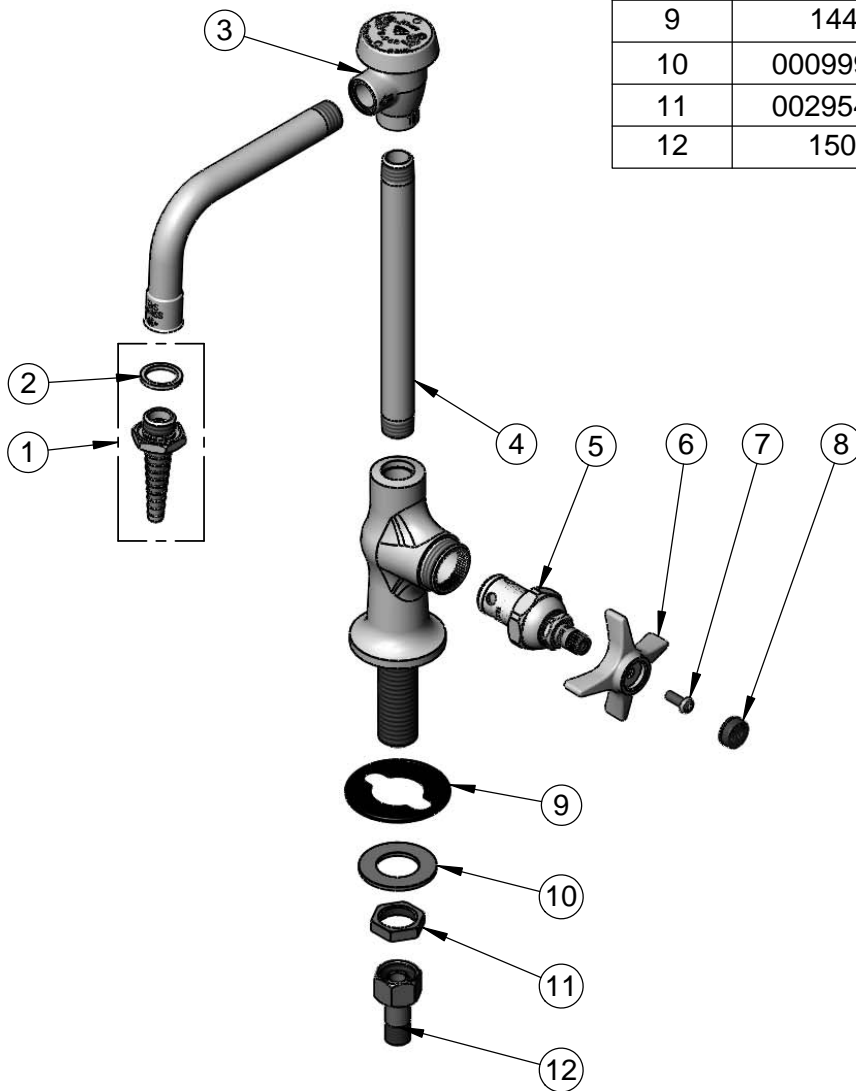
Model No.

**BL-5705-08**

Item No.

Travelers Rest, SC: 800-476-4103 • Simi Valley, CA: 800-423-0150 • Fax: 864-834-3518 • www.tsbrass.com

ITEM NO.	SALES NO.	DESCRIPTION
1	B-0198	Serrated Tip w/ Washer
2	001051-45	Washer
3	B-0968	Vacuum Breaker Asm, 3/8"
4	000363-40	Nipple, 3/8" NPT x 7"
5	005960-40	Assembly, Straight Stop, (LAB.)
6	000059-40	4-Arm Lab Handle
7	000925-45	Lab Handle Screw
8	001191-45	Green CW Snap-In Index
9	144L	Gasket Polypropylene
10	000999-45	Brass Washer
11	002954-45	Shank Lock Nut
12	150A	Bag of (1) Tailpiece & (1) Nut



**Product Specifications:**

Single Temperature Deck Mount Lab Faucet w/ Eterna Cartridge, Rigid Vacuum Breaker Nozzle, Serrated Tip & 1/2" NPSM Male Inlet

Drawn

**DMH**

Checked

**DHL**

Approved

**JHB**

Scale:

**NTS**

Date:

**08/29/12**