



T&S BRASS AND BRONZE WORKS, INC.
 2 SADDLEBACK COVE / P.O. BOX 1088 / TRAVELERS REST, SC 29690
 PHONE 800-476-4103 FAX 864- 834-3518



Model No.

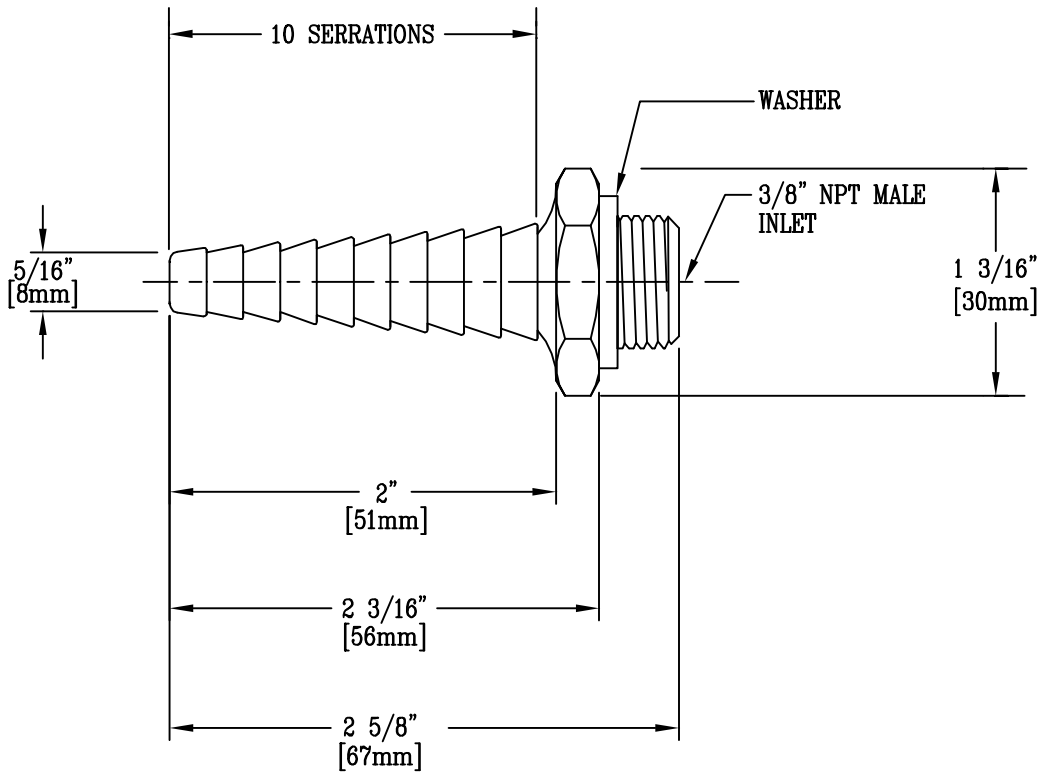
BL-5550-04

Item No.:

Job Name:

Architect/Engineer Approval:

Notes:



Product Description:

STRAIGHT SERRATED TIP WITH
 $3/8"$ IPS MALE INLET, & WASHER

Drawn:

WJS

Checked

ARD

Scale:

$1' = 1'$

Approved

CA

Date:

10/25/95