



T&S BRASS AND BRONZE WORKS, INC.

2 Saddleback Cove / P.O. Box 1088
Travelers Rest, SC 29690



REG. #A2601
ISO #9001

Model No.

BL-5500-0

Item No.

Travelers Rest, SC: 800-476-4103 • Simi Valley, CA: 800-423-0150 • Fax: 864-834-3518 • www.tsbrass.com

This Space for Architect/Engineer Approval

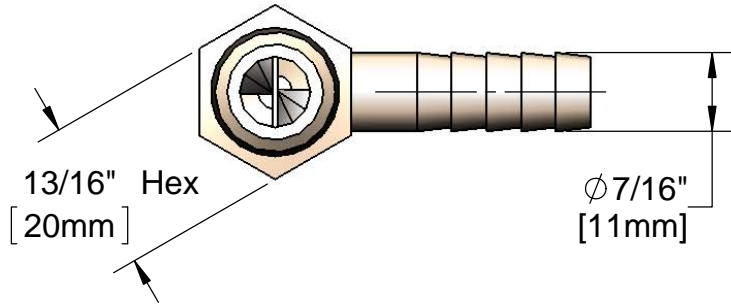
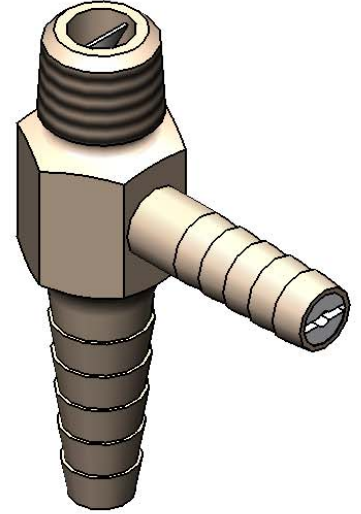
Job Name _____ Date _____

Model Specified _____ Quantity _____

Customer/Wholesaler _____

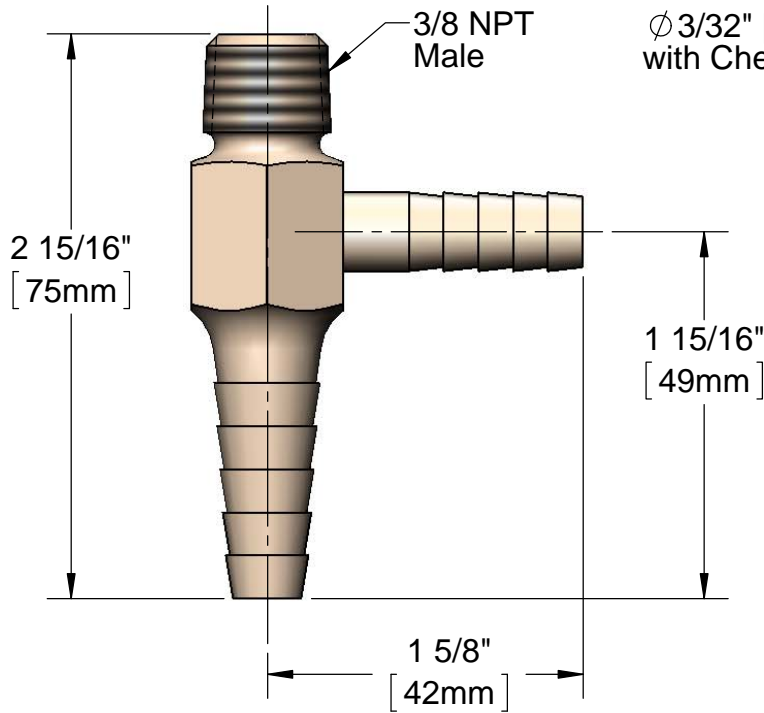
Contractor _____

Architect/Engineer _____



13/16" Hex
[20mm]

Ø 7/16"
[11mm]



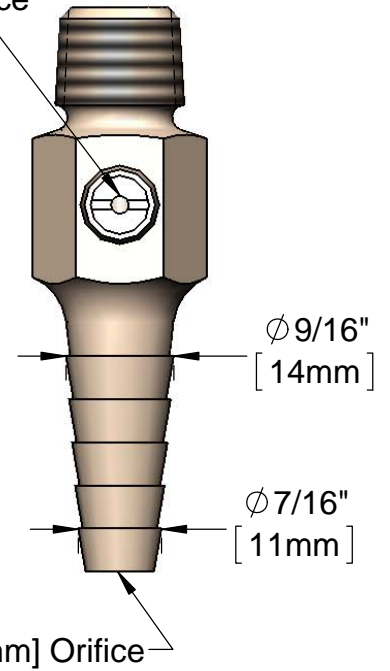
3/8 NPT
Male

2 15/16"
[75mm]

Ø 3/32" [2mm] Orifice
with Check Valve

1 15/16"
[49mm]

1 5/8"
[42mm]



Ø 9/16"
[14mm]

Ø 7/16"
[11mm]

Ø 1/4" [6mm] Orifice

Product Specifications:

Aspirator

Drawn

GEF

Checked

DHL

Approved

JHB

Scale:

1:1

Date:

09/02/11