



T&S BRASS AND BRONZE WORKS, INC.
 2 SADDLEBACK COVE / P.O. BOX 1088 / TRAVELERS REST, SC 29690
 PHONE 800-476-4103 - FAX 864- 834-3518



Sales No.

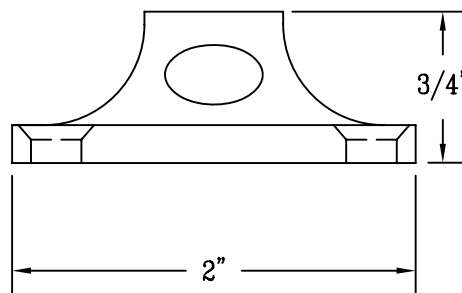
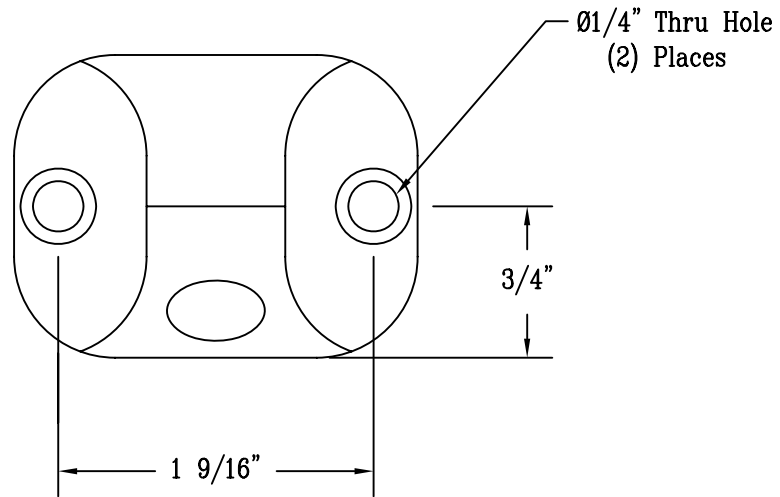
BL-4740-03

RELIABILITY
BUILT IN

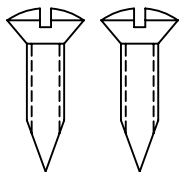
Job Name:

Architect/Engineer Approval:

Notes:



Finish: Chrome Plated



Note: Furnished with (2x) #10 x 3/4" Long
Oval Head Sheet Metal Screws.

Product Description:
Angle Guide Bushing

Drawn: DHL	Checked JRM	Scale: 1:1
Approved JHB		Date: 08/26/08