



T&S BRASS AND BRONZE WORKS, INC.
 2 Saddleback Cove / P.O. Box 1088
 Travelers Rest, SC 29690

Model No.

BL-4720-02

Item No.

Travelers Rest, SC: 800-476-4103 • Simi Valley, CA: 800-423-0150 • Fax: 864-834-3518 • www.tsbrass.com



ADA Compliant

This Space for Architect/Engineer Approval

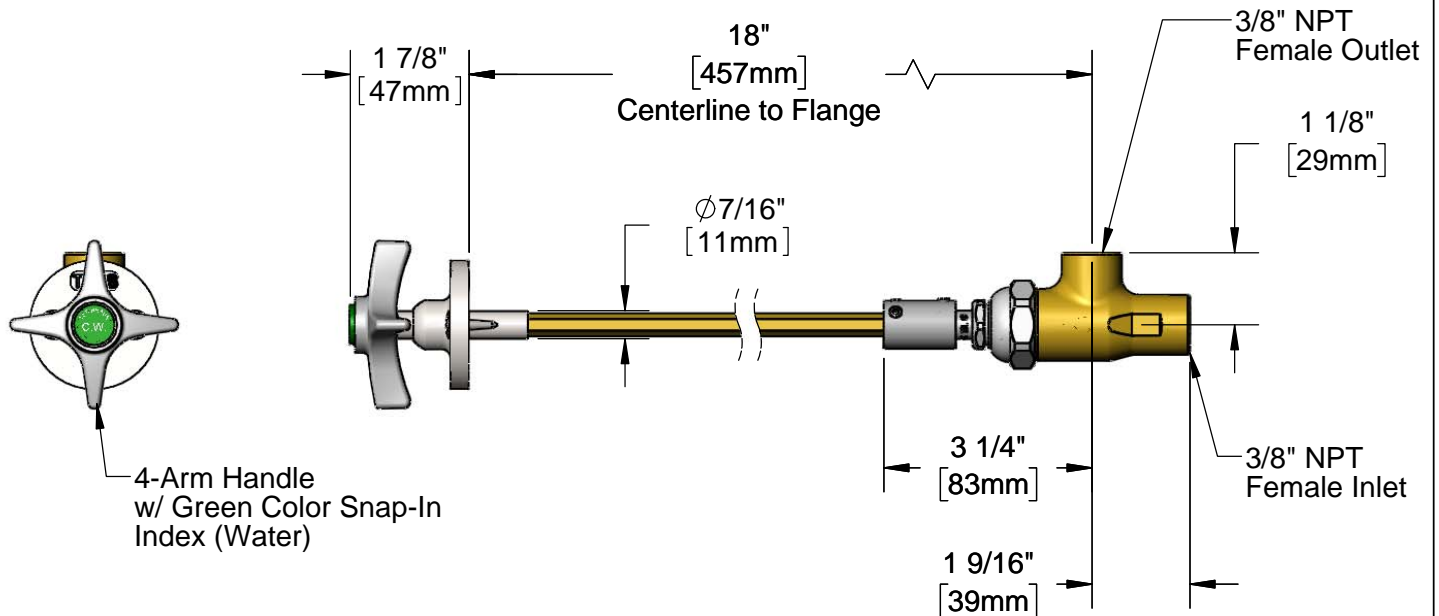
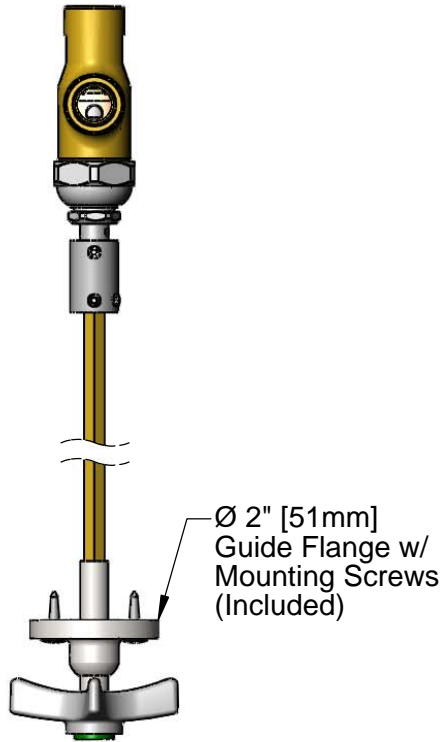
Job Name _____ Date _____

Model Specified _____ Quantity _____

Customer/Wholesaler _____

Contractor _____

Architect/Engineer _____



Product Specifications:

Remote Control Angled Valve for Water w/ 18" Centerline to Flange, 4-Arm Handle, Guide Flange w/ Mounting Screws & 3/8" NPT Inlet & Outlet

Product Compliance:

ASME A112.18.1 / CSA B125.1
 NSF 61 - Section 9
 NSF 372 (Low Lead Content)
 ANSI A117.1 (ADA)



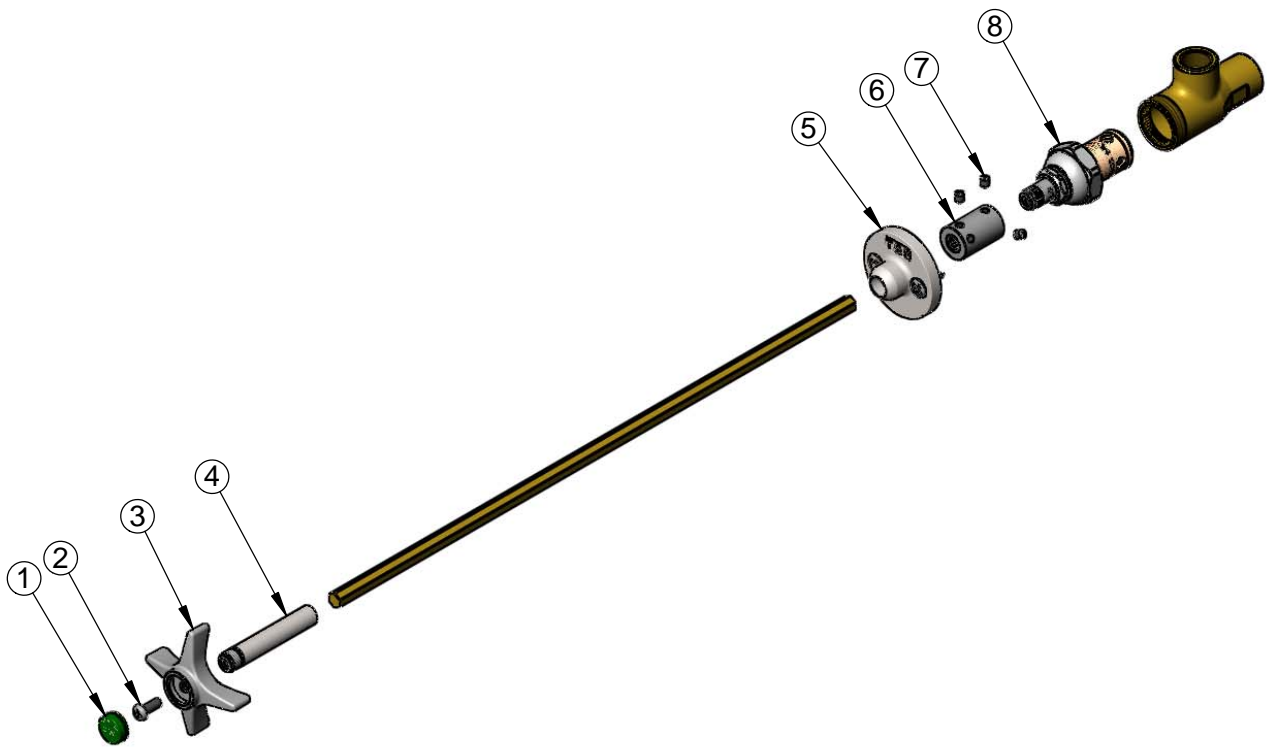
T&S BRASS AND BRONZE WORKS, INC.
 2 Saddleback Cove / P.O. Box 1088
 Travelers Rest, SC 29690

Model No.
BL-4720-02

Item No.

Travelers Rest, SC: 800-476-4103 • Simi Valley, CA: 800-423-0150 • Fax: 864-834-3518 • www.tsbrass.com

ITEM NO.	SALES NO.	DESCRIPTION
1	001191-45	Green Index - CW
2	000925-45	Lab Handle Screw
3	000059-40	4-Arm Lab Handle
4	000784-40	Broached Sleeve
5	BL-4740-01	Guide Flange w/ Mounting Screws, Wood Furniture
6	000642-20	Coupling Remote
7	001584-45	Set Screw, 10-32 UN
8	005960-40	Eterna Cartridge, RTC



Product Specifications:

Remote Control Angled Valve for Water w/ 18" Centerline to Flange, 4-Arm Handle, Guide Flange w/ Mounting Screws & 3/8" NPT Inlet & Outlet

Product Compliance:

ASME A112.18.1 / CSA B125.1
 NSF 61 - Section 9
 NSF 372 (Low Lead Content)
 ANSI A117.1 (ADA)