



**T&S BRASS AND BRONZE WORKS, INC.**  
 2 Saddleback Cove / P.O. Box 1088  
 Travelers Rest, SC 29690

Model No.  
**BL-4720-01**

Item No.

Travelers Rest, SC: 800-476-4103 • Simi Valley, CA: 800-423-0150 • Fax: 864-834-3518 • www.tsbrass.com



**ADA Compliant**

This Space for Architect/Engineer Approval

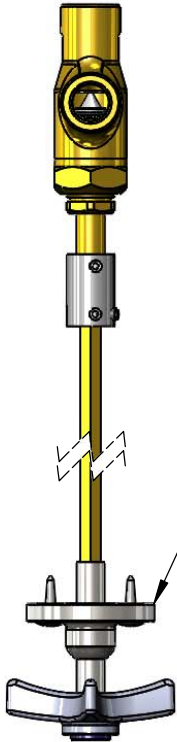
Job Name \_\_\_\_\_ Date \_\_\_\_\_

Model Specified \_\_\_\_\_ Quantity \_\_\_\_\_

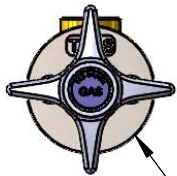
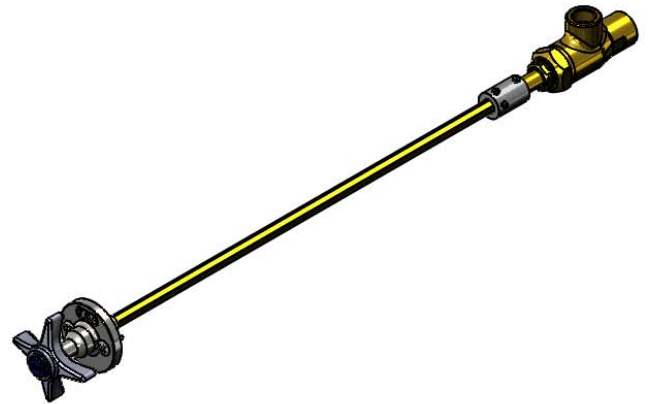
Customer/Wholesaler \_\_\_\_\_

Contractor \_\_\_\_\_

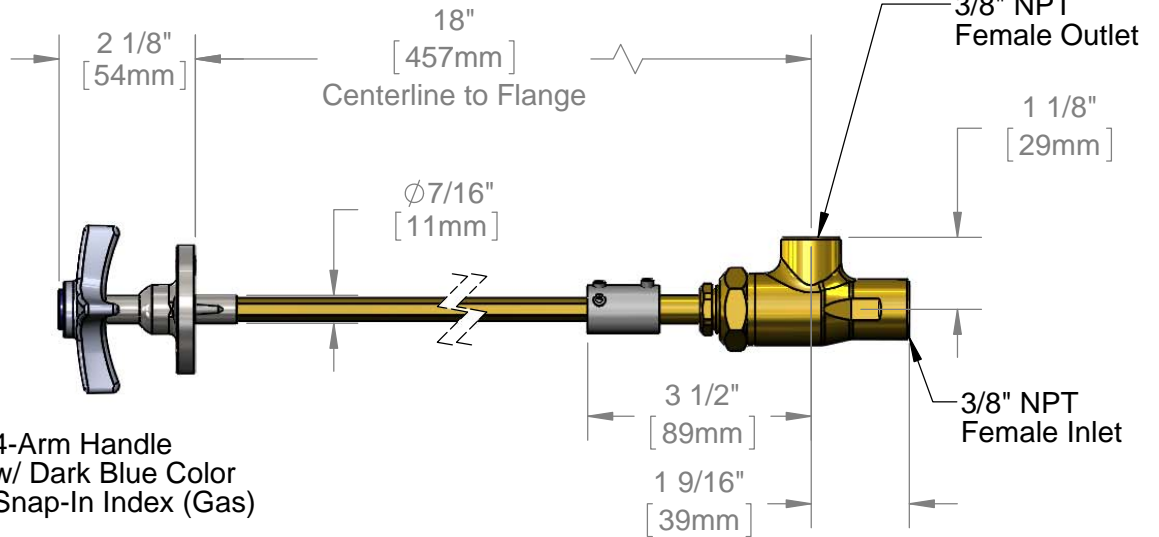
Architect/Engineer \_\_\_\_\_



Ø 2" [51mm]  
 Guide Flange w/  
 Mounting Screws  
 (Included)



4-Arm Handle  
 w/ Dark Blue Color  
 Snap-In Index (Gas)



 <b>209L-VAC</b> Yellow Snap-In Index (Included)	 <b>209L-AIR</b> Orange Snap-In Index (Included)
---	---

Product Specifications:  
 Remote Control Angled Valve for Gases w/ 18" Centerline to Flange,  
 4-Arm Handle, "GAS", "AIR" & "VAC" Snap-In Indexes, Guide Flange  
 w/ Mounting Screws & 3/8" NPT Inlet & Outlet

Drawn <b>DHL</b>	Checked <b>DMH</b>	Approved <b>JHB</b>
Scale: <b>1:3</b>		Date: <b>09/06/13</b>



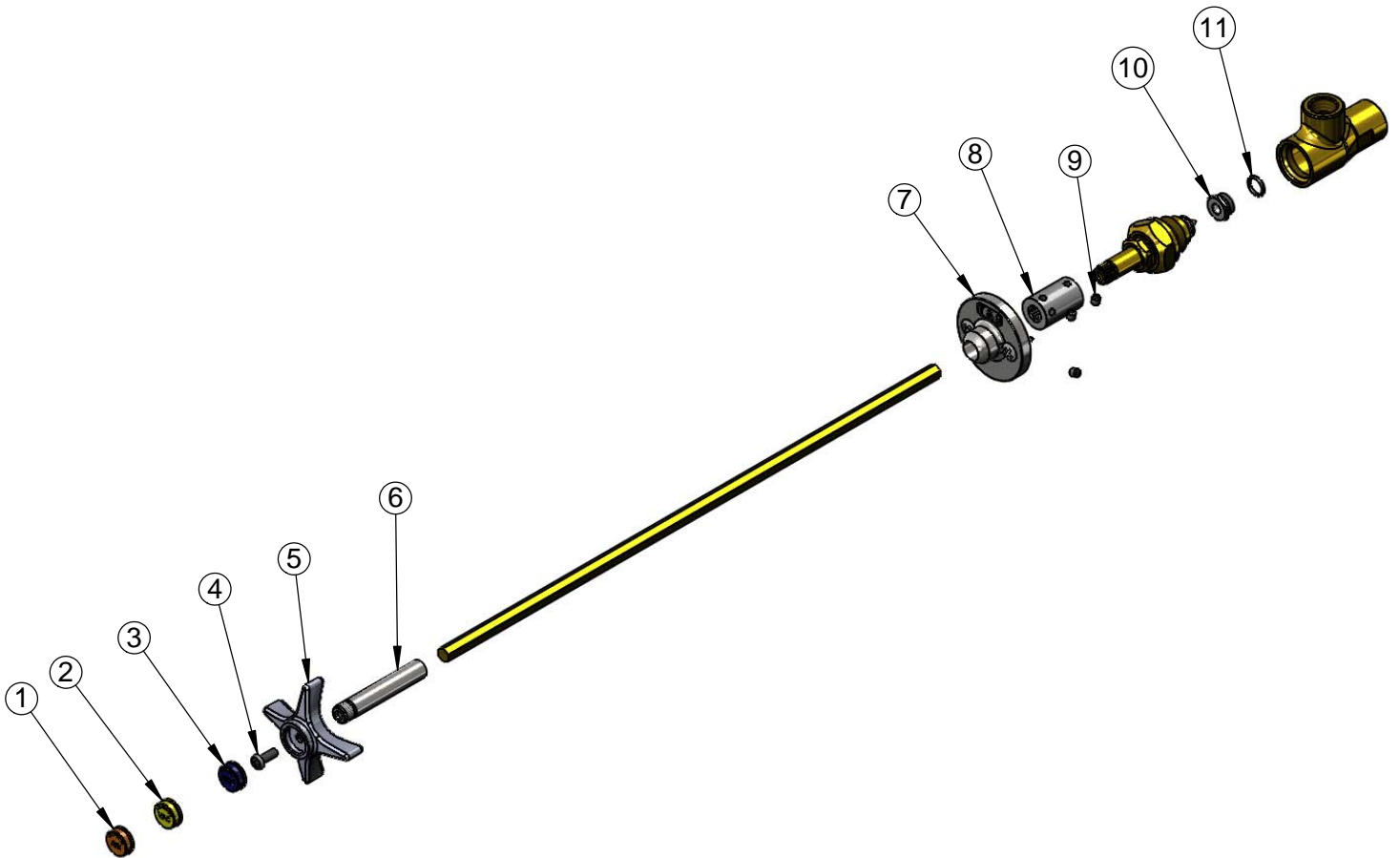
**T&S BRASS AND BRONZE WORKS, INC.**  
 2 Saddleback Cove / P.O. Box 1088  
 Travelers Rest, SC 29690

Model No.  
**BL-4720-01**

Item No.

Travelers Rest, SC: 800-476-4103 • Simi Valley, CA: 800-423-0150 • Fax: 864-834-3518 • www.tsbrass.com

ITEM NO.	SALES NO.	DESCRIPTION
1	209L-AIR	Orange AIR Snap-In Index
2	209L-VAC	Yellow VAC Snap-In Index
3	209L-GAS	Dark Blue GAS Snap-In Index
4	000925-45	Lab Handle Screw
5	000059-40	4-Arm Lab Handle
6	000784-40	Broached Sleeve
7	BL-4740-01	Guide Flange w/ Mounting Screws, Wood Furniture
8	000642-20	Coupling Remote
9	001584-45	Set Screw, 10-32 UN
10	000529-40	Seat
11	001070-45	O-ring



Product Specifications:

Remote Control Angled Valve for Gases w/ 18" Centerline to Flange, 4-Arm Handle, "GAS", "AIR" & "VAC" Snap-In Indexes, Guide Flange w/ Mounting Screws & 3/8" NPT Inlet & Outlet

Drawn <b>DHL</b>	Checked <b>DMH</b>	Approved <b>JHB</b>
Scale: <b>NTS</b>		Date: <b>09/06/13</b>