



**T&S BRASS AND BRONZE WORKS, INC.**  
 2 Saddleback Cove / P.O. Box 1088  
 Travelers Rest, SC 29690

Model No.

**BL-4501-01**

Item No.

Travelers Rest, SC: 800-476-4103 • Simi Valley, CA: 800-423-0150 • Fax: 864-834-3518 • www.tsbrass.com

This Space for Architect/Engineer Approval

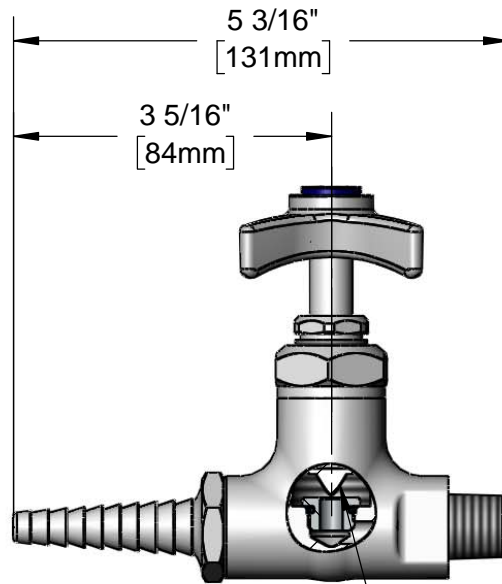
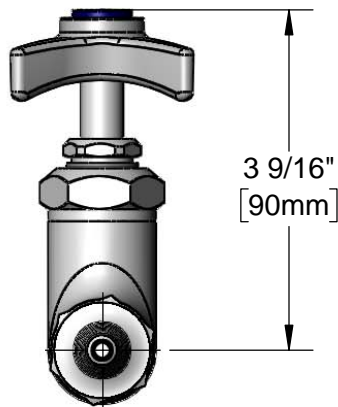
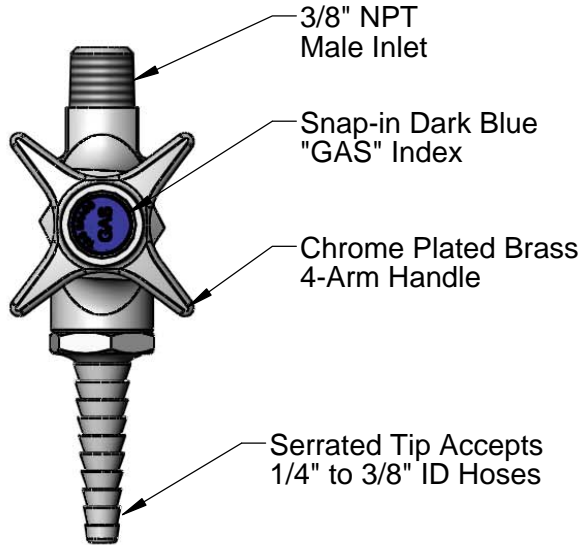
Job Name \_\_\_\_\_ Date \_\_\_\_\_

Model Specified \_\_\_\_\_ Quantity \_\_\_\_\_

Customer/Wholesaler \_\_\_\_\_

Contractor \_\_\_\_\_

Architect/Engineer \_\_\_\_\_



Floating Stainless Steel Cone Regulates Gas Flow as Handle is Turned

Product Specifications:  
 Straight Stop w/ Color Coded Index, 3/8" NPT Male Inlet, & Serrated Tip Outlet, Designed for Special Gases

Product Compliance:  
 ANSI Z21.15a / CSA 9.1a (Gas Valves)

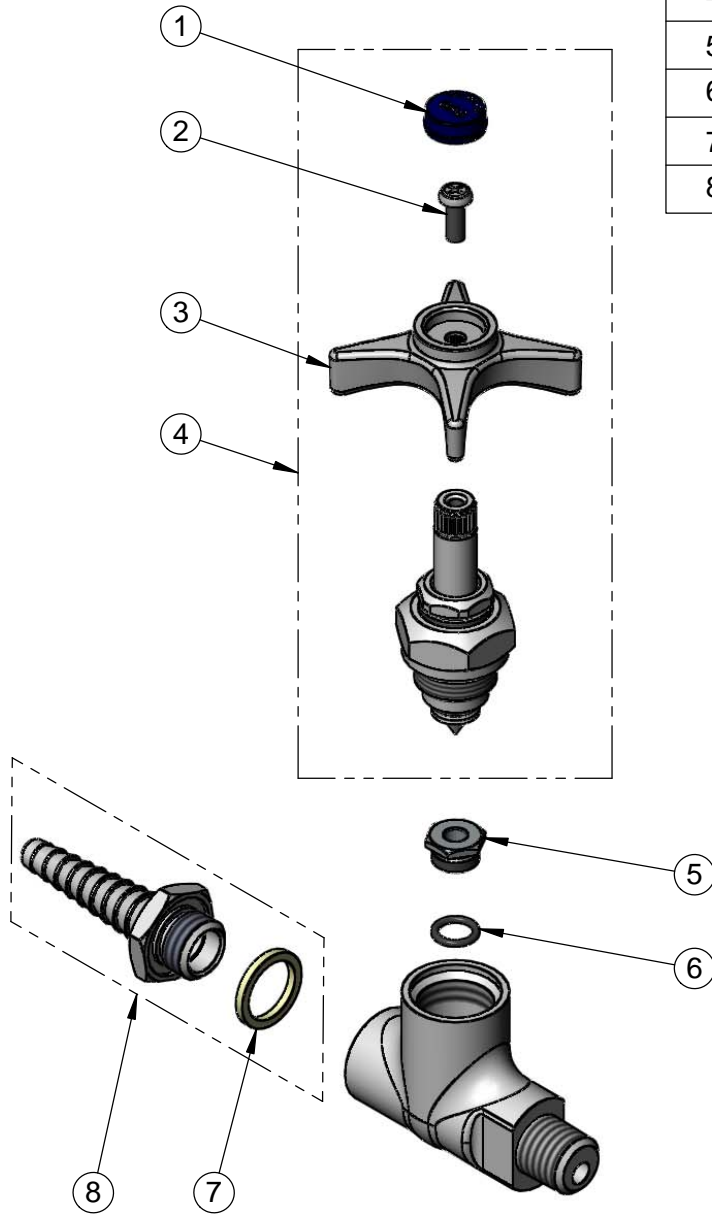


**T&S BRASS AND BRONZE WORKS, INC.**  
 2 Saddleback Cove / P.O. Box 1088  
 Travelers Rest, SC 29690

Model No.  
**BL-4501-01**  
 Item No.

Travelers Rest, SC: 800-476-4103 • Simi Valley, CA: 800-423-0150 • Fax: 864-834-3518 • www.tsbrass.com

ITEM NO.	SALES NO.	DESCRIPTION
1	209L-GAS	Dark Blue GAS Snap-In Index
2	000925-45	Lab Handle Screw
3	000059-40	4-Arm Lab Handle
4	110A-NG	Spindle Assembly, BL-4501-01
5	000529-20	Seat, BL-4500-01
6	006574-45	O-ring, EPDM, -012
7	001051-45	Washer
8	B-0198	Serrated Tip



Product Specifications:  
 Straight Stop w/ Color Coded Index, 3/8" NPT Male Inlet, & Serrated Tip  
 Outlet, Designed for Special Gases

Product Compliance:  
 ANSI Z21.15a / CSA 9.1a (Gas Valves)