

T&S BRASS AND BRONZE WORKS, INC.

2 Saddleback Cove / P.O. Box 1088
Travelers Rest, SC 29690

Model No.

BL-4422-0

Item No.

Travelers Rest, SC: 800-476-4103 • Simi Valley, CA: 800-423-0150 • Fax: 864-834-3518 • www.tsbrass.com



ADA Compliant

This Space for Architect/Engineer Approval

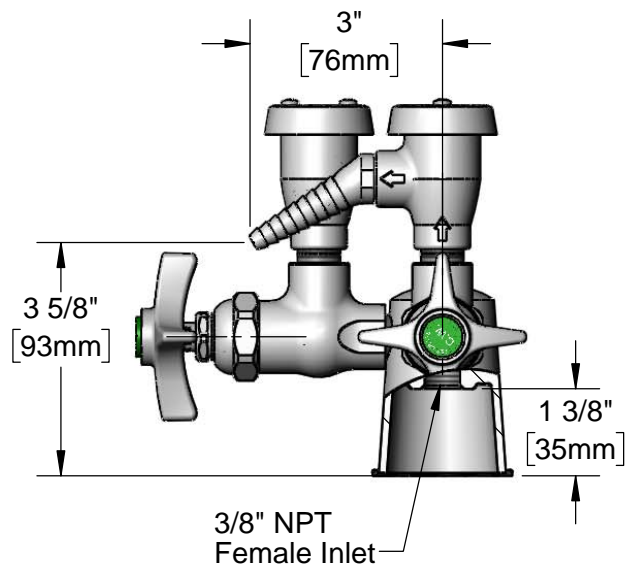
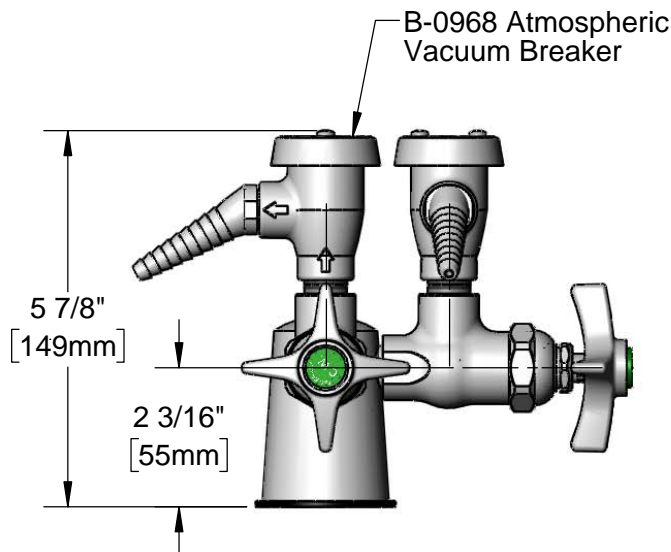
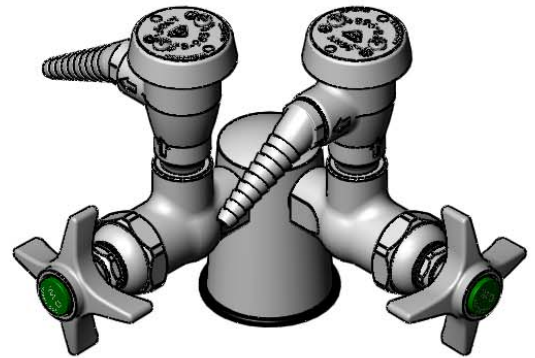
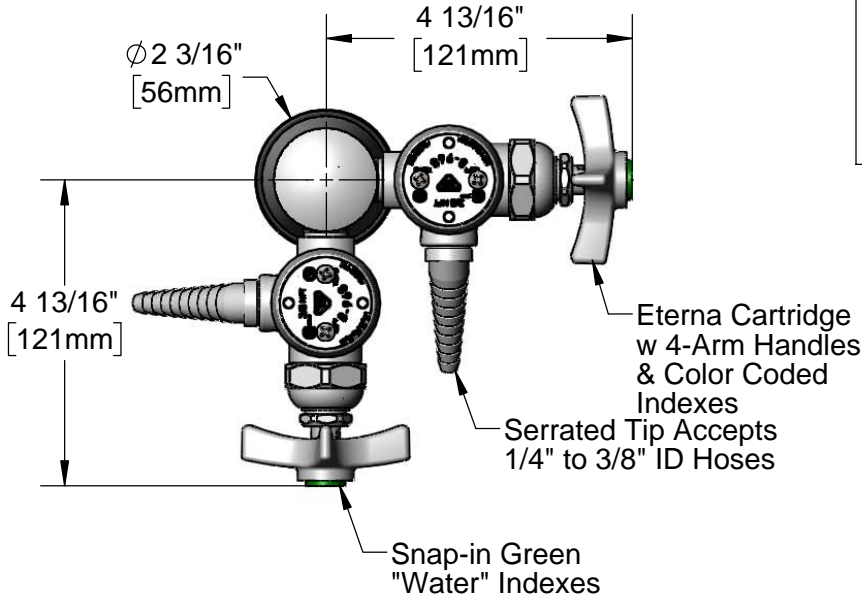
Job Name _____ Date _____

Model Specified _____ Quantity _____

Customer/Wholesaler _____

Contractor _____

Architect/Engineer _____



Product Specifications:

Laboratory Turret with (2) Water Outlets, Vacuum Breakers, Angled Serrated Tips and 3/8" NPT Female Inlet

Product Compliance:

ASME A112.18.1 / CSA B125.1
NSF 61 - Section 9
NSF 372 (Low Lead Content)
ANSI A117.1 (ADA)



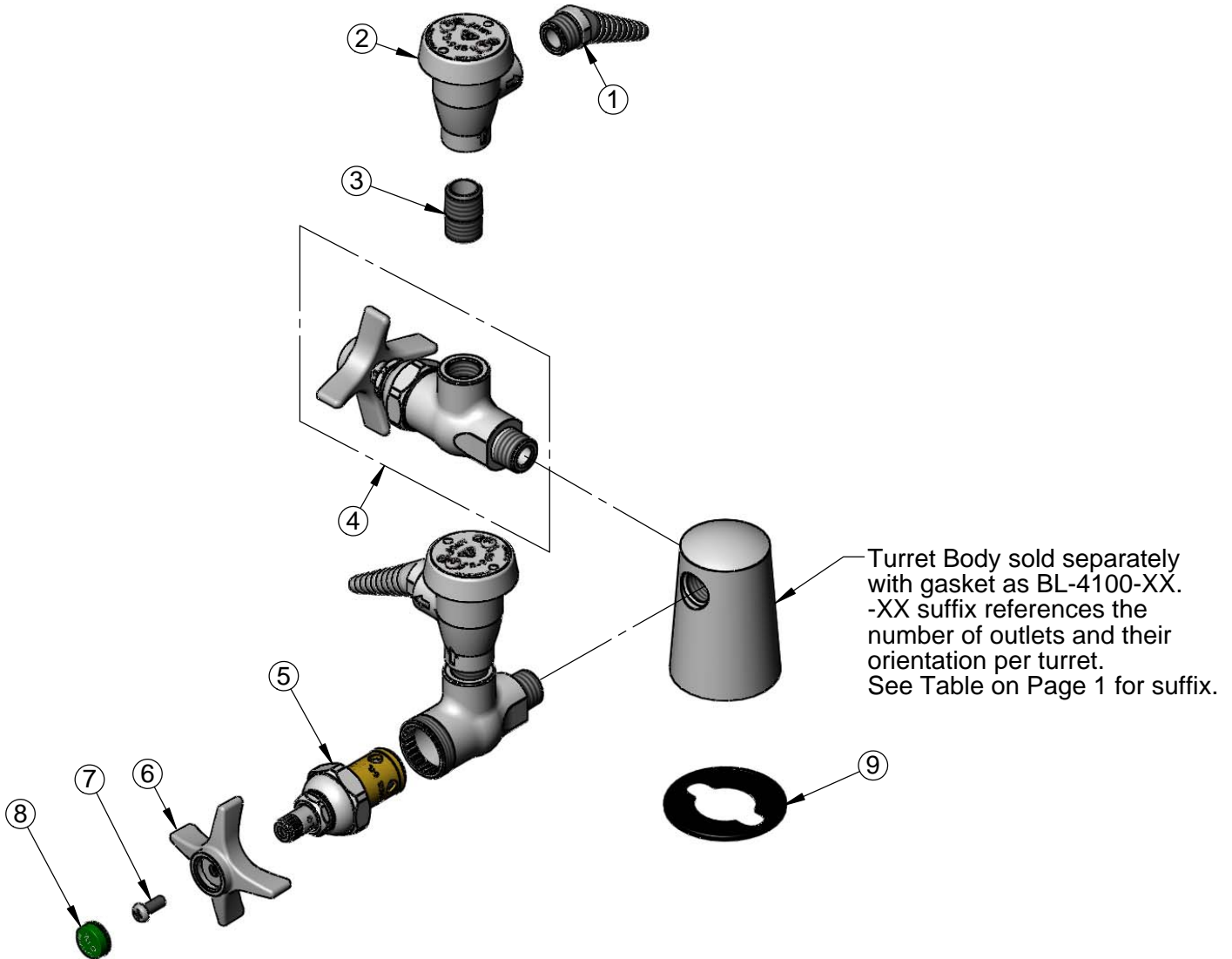
T&S BRASS AND BRONZE WORKS, INC.
 2 Saddleback Cove / P.O. Box 1088
 Travelers Rest, SC 29690

Model No.
BL-4422-0

Item No.

Travelers Rest, SC: 800-476-4103 • Simi Valley, CA: 800-423-0150 • Fax: 864-834-3518 • www.tsbrass.com

ITEM NO.	SALES NO.	DESCRIPTION
1	BL-5550-05	Angled Serrated Hose End
2	B-0968	3/8" NPT Vacuum Breaker
3	002535-25	3/8" Close Nipple
4	006997-40	Angled Stop w/ Green Coded Index
5	005960-40	Eterna Cartridge, RTC
6	000059-40	4-Arm Lab Handle
7	000925-45	Lab Handle Screw
8	001191-45	Green Index - CW
9	144L	Black Plastic Gasket



Product Specifications:
 Laboratory Turret with (2) Water Outlets, Vacuum Breakers, Angled Serrated Tips and 3/8" NPT Female Inlet

Product Compliance:
 ASME A112.18.1 / CSA B125.1
 NSF 61 - Section 9
 NSF 372 (Low Lead Content)
 ANSI A117.1 (ADA)