



T&S BRASS AND BRONZE WORKS, INC.

2 Saddleback Cove / P.O. Box 1088
Travelers Rest, SC 29690

Model No.

BL-4200 SERIES

Item No.

Travelers Rest, SC: 800-476-4103 • Simi Valley, CA: 800-423-0150 • Fax: 864-834-3518 • www.tsbrass.com

This Space for Architect/Engineer Approval

Job Name _____ Date _____

Model Specified _____ Quantity _____

Customer/Wholesaler _____

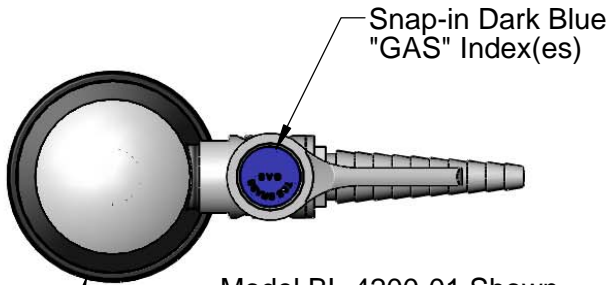
Contractor _____

Architect/Engineer _____

BL-4200-0	Turret w/ (2) Hose Cocks @ 90°
BL-4200-01	Turret w/ (1) Hose Cock
BL-4200-02	Turret w/ (2) Hose Cocks @ 180°
BL-4200-03	Turret w/ (3) Hose Cocks @ 90°
BL-4200-04	Turret w/ (4) Hose Cocks @ 90°

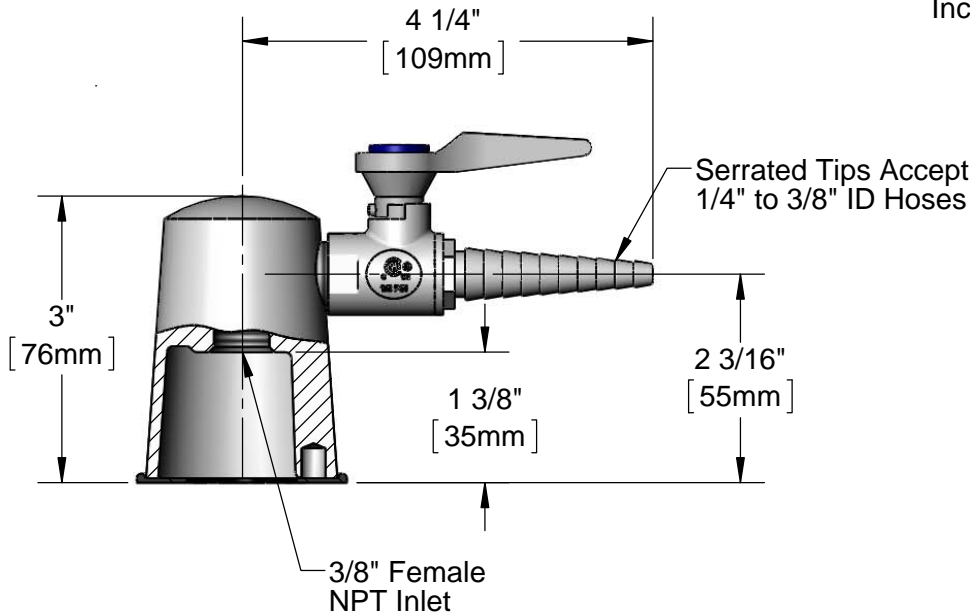


ADA Compliant



Model BL-4200-01 Shown

Ø 2 3/16"
[56mm]



Notes:

1. Natural Gas Pressure: 0.5 PSIG Max. (For Natural Gas above 0.5 PSIG or Oxygen and Specialty Gases, use BL-4010-01 Gas Cock.)
2. Air Pressure: 125 PSIG Max.
3. Vacuum: 30 inches of Mercury Max.
4. Certified to ANSI Z21.15a / CSA 9.1a



209L-VAC
Index(es)
Included



209L-AIR
Index(es)
Included



Product Specifications:
Laboratory Turret w/ Serrated Hose Cock

Drawn DMH	Checked JRM	Approved JHB
Scale: 1:2		Date: 05/21/12



T&S BRASS AND BRONZE WORKS, INC.

2 Saddleback Cove / P.O. Box 1088

Travelers Rest, SC 29690

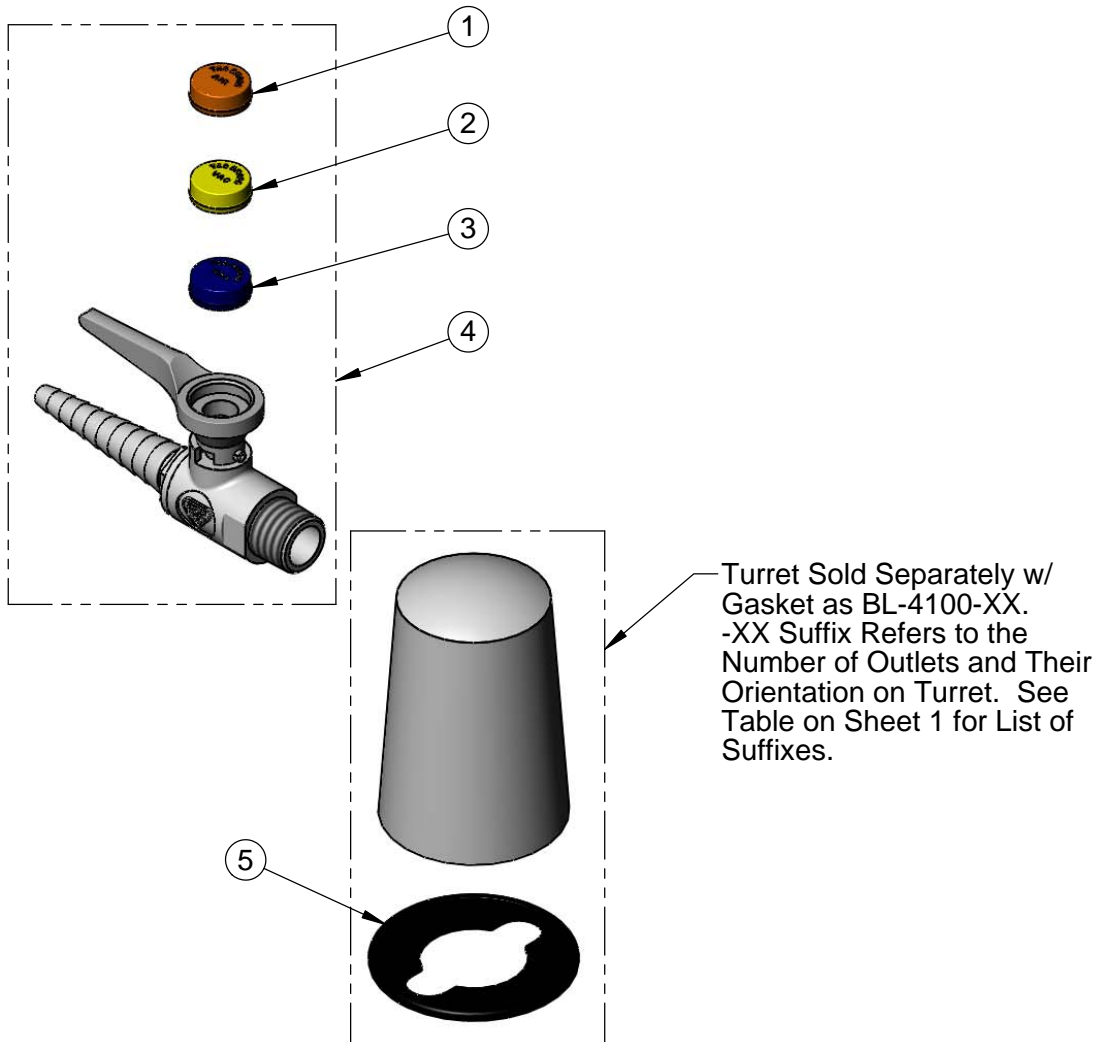
Model No.

BL-4200 SERIES

Item No.

Travelers Rest, SC: 800-476-4103 • Simi Valley, CA: 800-423-0150 • Fax: 864-834-3518 • www.tsbrass.com

ITEM NO.	SALES NO.	DESCRIPTION
1	209L-AIR	Cap, Index, Orange, Air
2	209L-VAC	Cap, Index, Yellow, Vacuum
3	209L-GAS	Cap, Index, Blue, Gas
4	BL-4000-01	Ball Valve Hose Cock w/ GAS, AIR & VAC Indexes
5	144L	Gasket Polypropylene



Product Specifications:
Laboratory Turret w/ Serrated Hose Cock

Drawn DMH	Checked JRM	Approved JHB
Scale: NTS		Date: 05/21/12