



T&S BRASS AND BRONZE WORKS, INC.

2 Saddleback Cove / P.O. Box 1088
Travelers Rest, SC 29690

Model No.

BL-4000-01

Item No.

Travelers Rest, SC: 800-476-4103 • Simi Valley, CA: 800-423-0150 • Fax: 864-834-3518 • www.tsbrass.com

This Space for Architect/Engineer Approval

Job Name _____ Date _____

Model Specified _____ Quantity _____

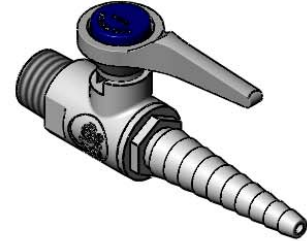
Customer/Wholesaler _____

Contractor _____

Architect/Engineer _____

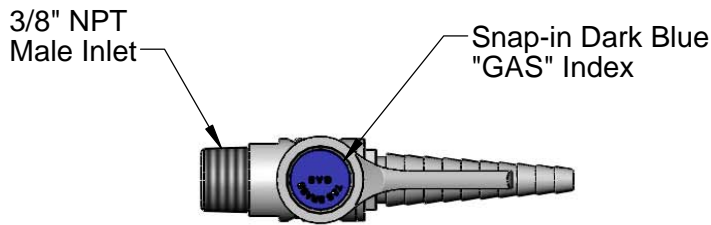


ADA Compliant



NOTES:

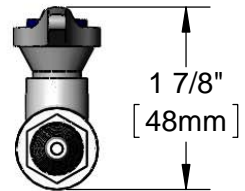
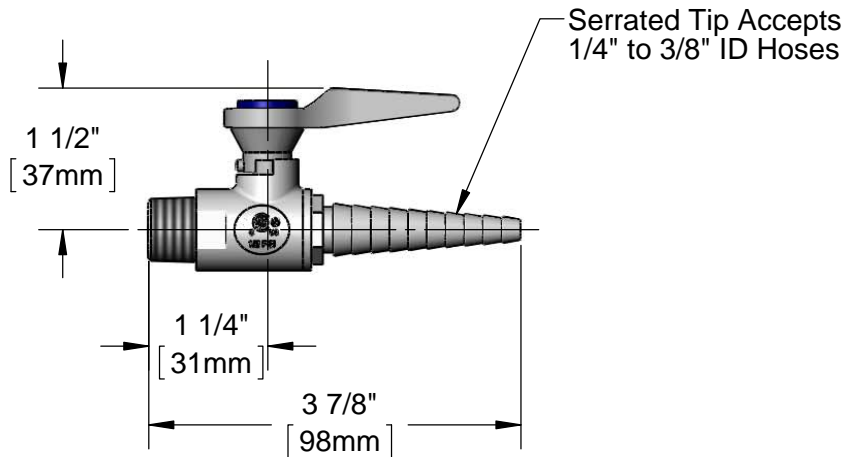
1. Natural Gas Pressure: 0.5 PSIG Max.
(For Natural Gas above 0.5 PSIG or Oxygen and Specialty Gases, use BL-4010-01 Gas Cock.)
2. Air Pressure: 125 PSIG Max.
3. Vacuum: 30 inches of Mercury Max.
4. Certified to ANSI Z21.15a / CSA 9.1a



209L-VAC
Index
Included



209L-AIR
Index
Included



Product Specifications:
Ball Valve Hose Cock w/ "GAS," "AIR," and "VAC" Snap-in Indexes

Drawn

DMH

Checked

JRM

Approved

JHB

Scale:

1:2

Date:

05/21/12



T&S BRASS AND BRONZE WORKS, INC.

2 Saddleback Cove / P.O. Box 1088

Travelers Rest, SC 29690

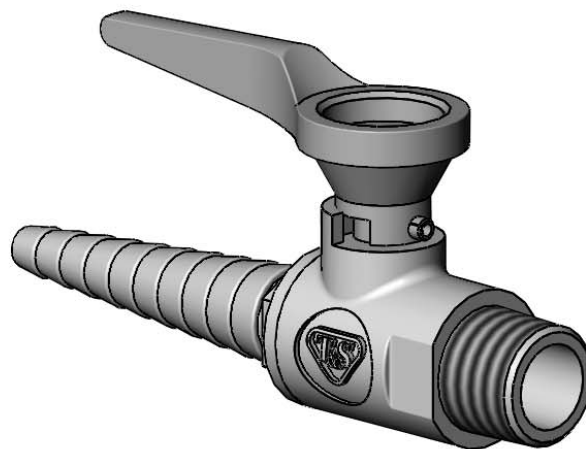
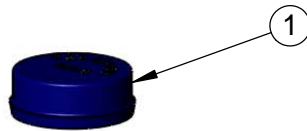
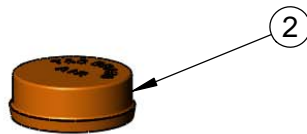
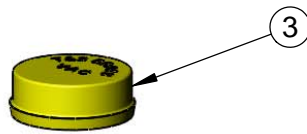
Model No.

BL-4000-01

Item No.

Travelers Rest, SC: 800-476-4103 • Simi Valley, CA: 800-423-0150 • Fax: 864-834-3518 • www.tsbrass.com

ITEM NO.	SALES NO.	DESCRIPTION
1	209L-GAS	Cap, Index, Blue, Gas
2	209L-AIR	Cap, Index, Orange, Air
3	209L-VAC	Cap, Index, Yellow, Vacuum



Product Specifications:
 Ball Valve Hose Cock w/ "GAS," "AIR," and "VAC" Snap-in Indexes

Drawn

DMH

Checked

JRM

Approved

JHB

Scale:

NTS

Date:

05/21/12