



T&S BRASS AND BRONZE WORKS, INC.

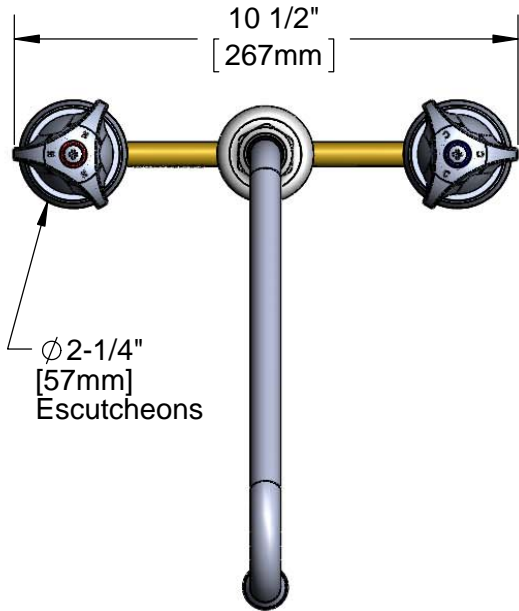
2 Saddleback Cove / P.O. Box 1088
Travelers Rest, SC 29690

Model No.

B-2955

Item No.

Travelers Rest, SC: 800-476-4103 • Simi Valley, CA: 800-423-0150 • Fax: 864-834-3518 • www.tsbrass.com



ADA Compliant

This Space for Architect/Engineer Approval

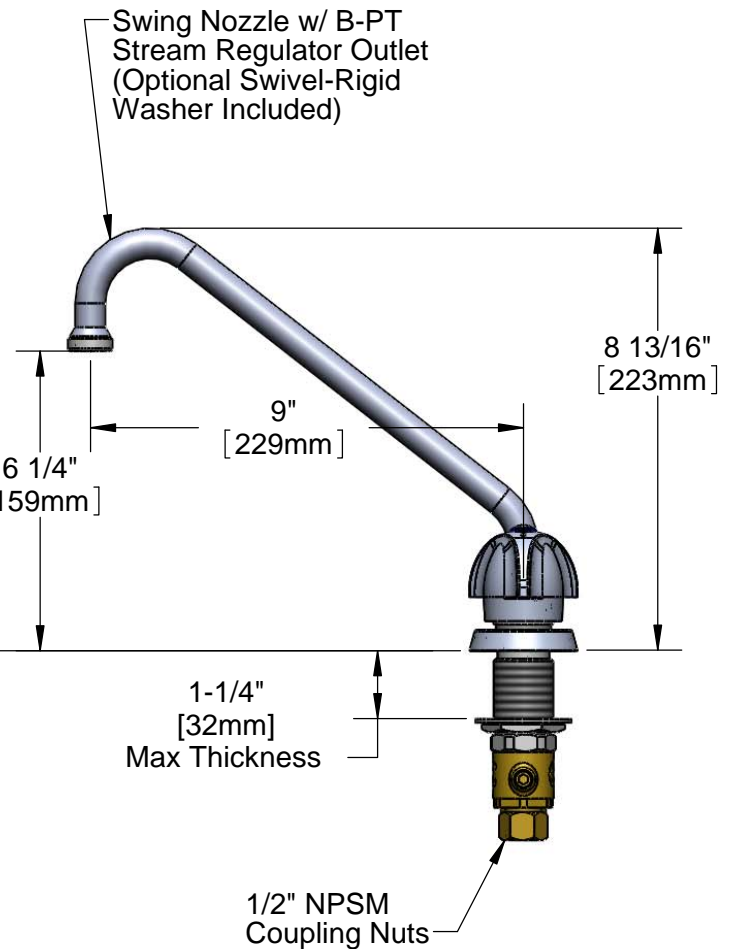
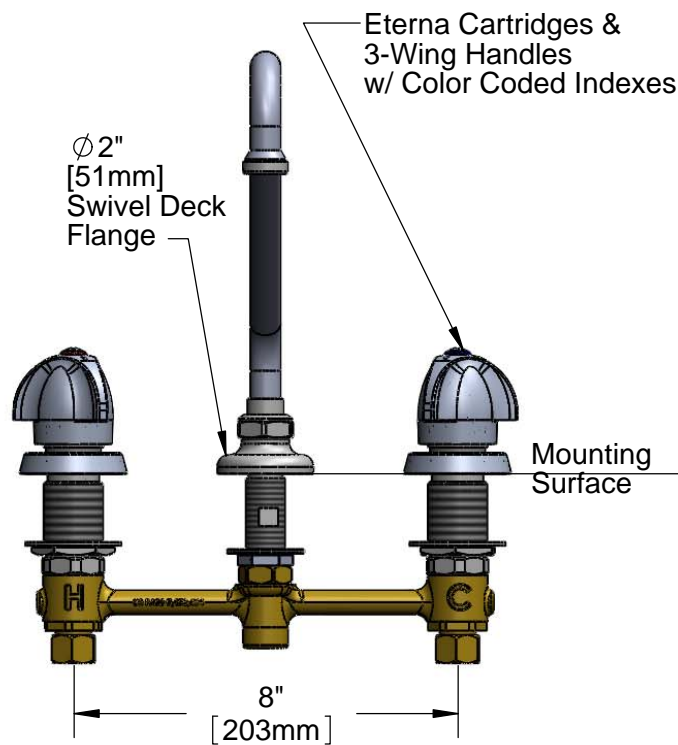
Job Name _____ Date _____

Model Specified _____ Quantity _____

Customer/Wholesaler _____

Contractor _____

Architect/Engineer _____



Rough-In Requirement:

Ø 1" [25mm] for Center Shank

Ø 1-1/2" [38mm] for Hot/Cold Side

Product Specifications:

EasyInstall Faucet w/ 3-Wing Handles, 2 RTC Eterna Cartridges, 8" Inlet Centers, Swing Nozzle w/ Stream Regulator Outlet

Drawn

JRM

Checked

DMH

Approved

JHB

Scale:

1:4

Date:

06/21/12

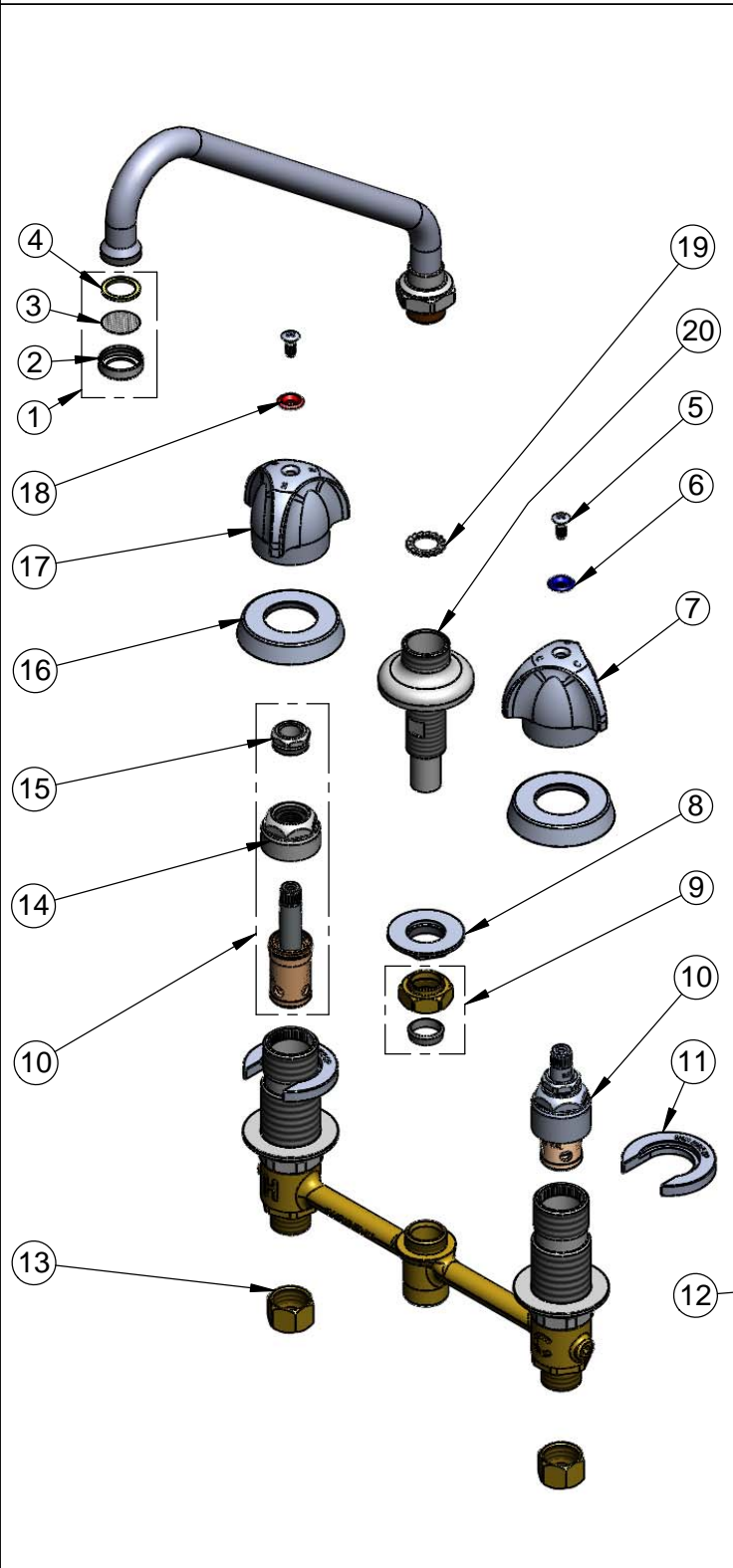


T&S BRASS AND BRONZE WORKS, INC.
 2 Saddleback Cove / P.O. Box 1088
 Travelers Rest, SC 29690

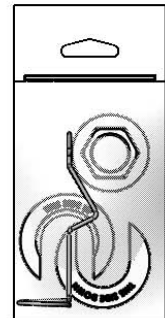
Model No.
B-2955

Item No.

Travelers Rest, SC: 800-476-4103 • Simi Valley, CA: 800-423-0150 • Fax: 864-834-3518 • www.tsbrass.com



ITEM NO.	SALES NO.	DESCRIPTION
1	B-PT	Stream Regulator Outlet
2	000863-25	Index Ring
3	001323-45	Screen
4	001048-45	Nozzle Tip Washer
5	000922-45	Lever Handle Screw
6	001660-45	Blue Index-CW
7	001784-40	Lav. Handle, 3 Wing - Cold
8	016742-45	Center Flange Nut
9	016745-45	Compression Nut & Fitting
10	017327-40	CWS EasyInstall RTC Eterna (Teflon)
11	016749-45	Sidebody C-Washer
12	016777-45	CWS Hanger
13	000958-20	Coupling Nut
14	016743-25	CWS Bonnet Assembly
15	009002-25	Packing Nut Assembly
16	017292-45	Metering CWS Escutcheon
17	001783-40	Lav. Handle, 3 Wing - Hot
18	001661-45	Red Index-HW
19	014200-45	Star Washer, Anti-Rotation
20	016754-40	EasyInstall CWS Swivel Center Shank



017245-40
 Installation Repair Kit
 Includes #8, (2)#11, & #12

Product Specifications:
 EasyInstall Faucet w/ 3-Wing Handles, 2 RTC Eterna Cartridges,
 8" Inlet Centers, Swing Nozzle w/ Stream Regulator Outlet

Drawn JRM	Checked DMH	Approved JHB
Scale: NTS		Date: 06/21/12