



# T&S BRASS AND BRONZE WORKS, INC.

2 Saddleback Cove / P.O. Box 1088  
Travelers Rest, SC 29690

Model No.

**B-2867-04-WS**

Item No.

Travelers Rest, SC: 800-476-4103 • Simi Valley, CA: 800-423-0150 • Fax: 864-834-3518 • www.tsbrass.com

This Space for Architect/Engineer Approval

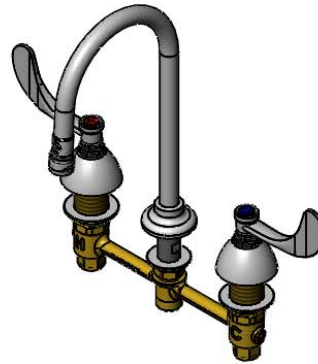
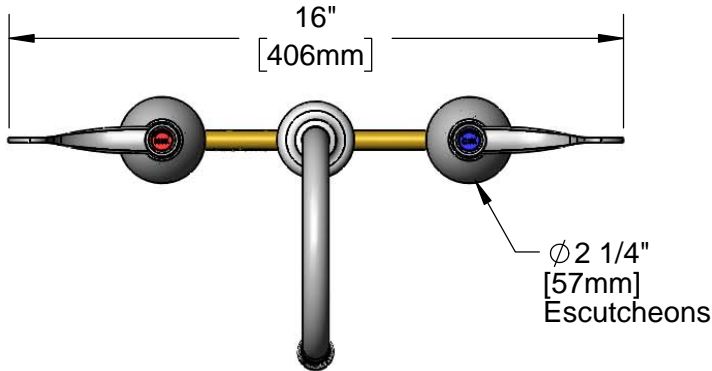
Job Name \_\_\_\_\_ Date \_\_\_\_\_

Model Specified \_\_\_\_\_ Quantity \_\_\_\_\_

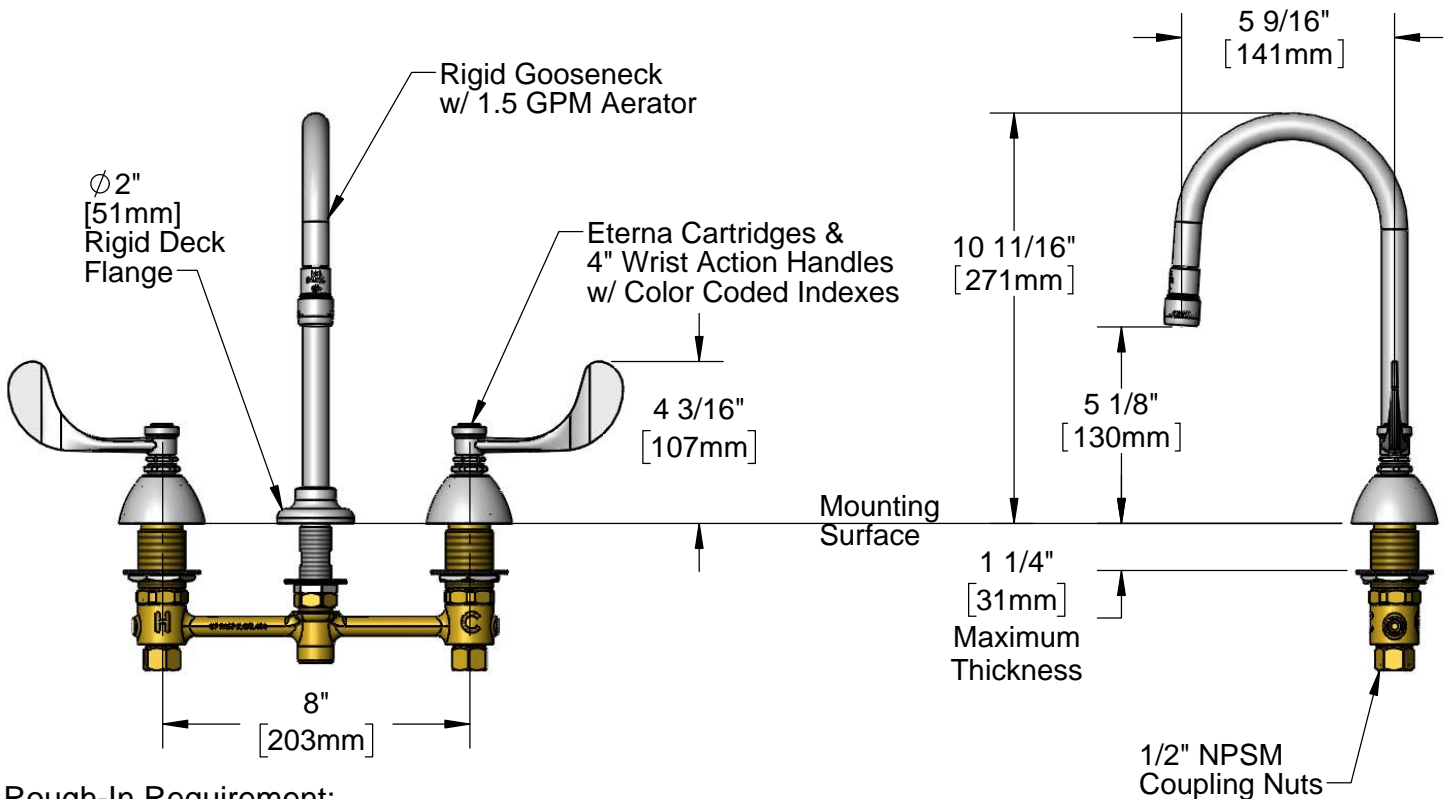
Customer/Wholesaler \_\_\_\_\_

Contractor \_\_\_\_\_

Architect/Engineer \_\_\_\_\_



**ADA Compliant**



**Rough-In Requirement:**

- Ø 1" [25mm] for Center Shank
- Ø 1 1/2" [38mm] for Hot/Cold Side

**Product Specifications:**

8" Concealed Widespread EasyInstall Mixing Faucet, 4" Wrist Action Handles, Eterna Cartridges, Rigid Gooseneck w/ 1.5 GPM Aerator and 1/2" NPSM Male Inlet

**Product Compliance:**

- ASME A112.18.1 / CSA B125.1
- NSF 61 - Section 9
- NSF 372 (Low Lead Content)
- ANSI A117.1 (ADA)
- EPA WaterSense



# T&S BRASS AND BRONZE WORKS, INC.

2 Saddleback Cove / P.O. Box 1088  
Travelers Rest, SC 29690

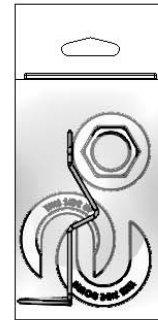
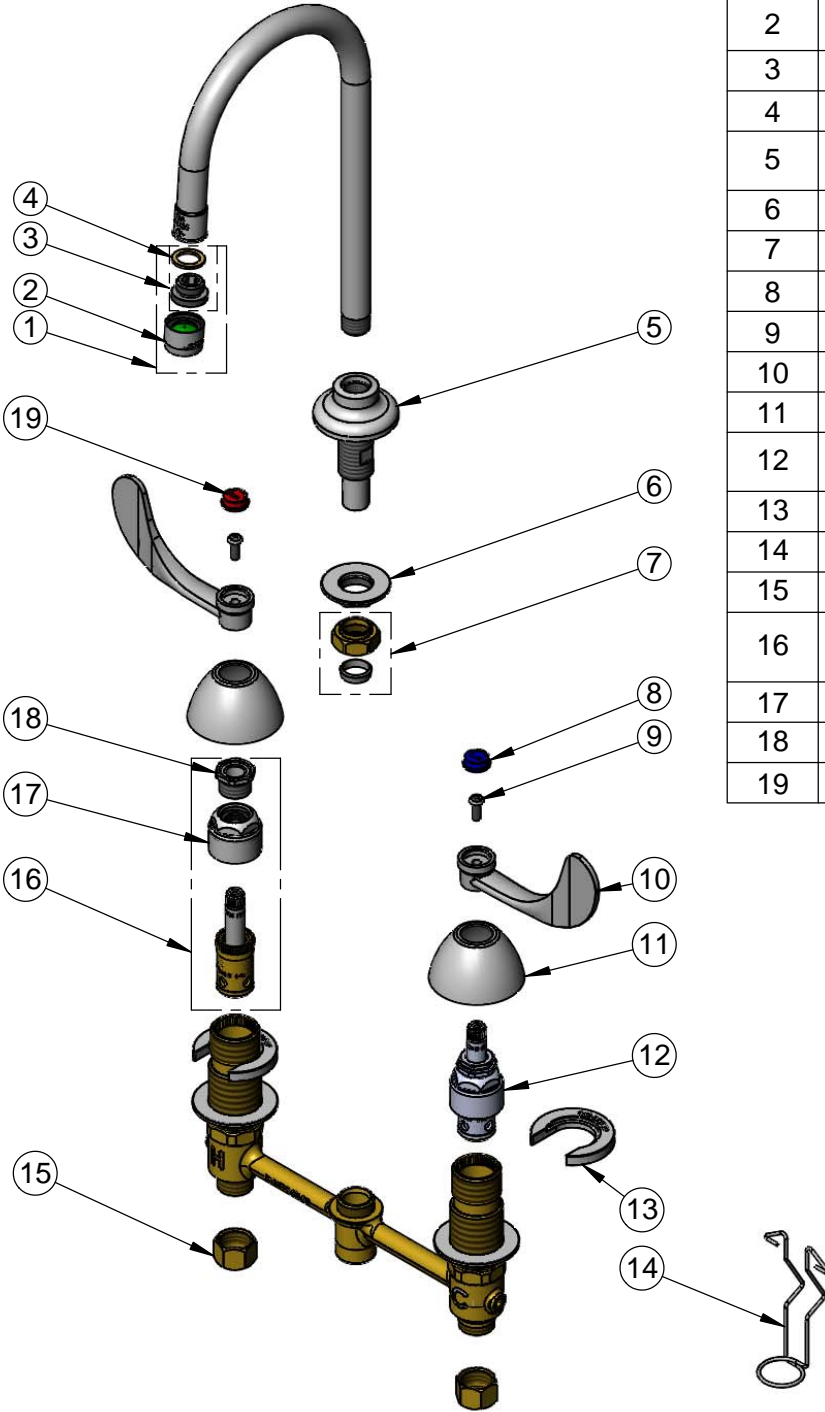
Model No.

**B-2867-04-WS**

Item No.

Travelers Rest, SC: 800-476-4103 • Simi Valley, CA: 800-423-0150 • Fax: 864-834-3518 • www.tsbrass.com

ITEM NO.	SALES NO.	DESCRIPTION
1	B-0199-02-WS	1.5 GPM Female Aerator, Adapter & Washer
2	B-0199-01-WS	1.5 GPM Aerator, 55/64-27 Female
3	044A	3/8" to Aerator Adapter
4	001043-45	Washer
5	016847-40	EasyInstall CWS Rigid Center Shank
6	016742-45	Center Flange Nut
7	016745-45	Compression Nut & Fitting
8	001686-45	Blue Index - CW
9	000925-45	Lab Handle Screw
10	B-WH4	4" Wrist Action Handle
11	001257-40	Bell Escutcheon
12	016752-40	EasyInstall CWS LTC Eterna (Teflon)
13	016749-45	Sidebody C-Washer
14	016777-45	CWS Hanger
15	000958-20	Coupling Nut
16	016753-40	EasyInstall CWS RTC Eterna (Teflon)
17	016743-25	CWS Bonnet
18	009002-25	Packing Nut
19	001194-45	Red Index - HW



017245-40  
Installation Repair Kit  
Includes #6, (2)#13, & #14

**Product Specifications:**  
8" Concealed Widespread EasyInstall Mixing Faucet, 4" Wrist Action Handles, Eterna Cartridges, Rigid Gooseneck w/ 1.5 GPM Aerator and 1/2" NPSM Male Inlet

**Product Compliance:**  
ASME A112.18.1 / CSA B125.1  
NSF 61 - Section 9  
NSF 372 (Low Lead Content)  
ANSI A117.1 (ADA)  
EPA WaterSense