



T&S BRASS AND BRONZE WORKS, INC.
 2 Saddleback Cove / P.O. Box 1088
 Travelers Rest, SC 29690

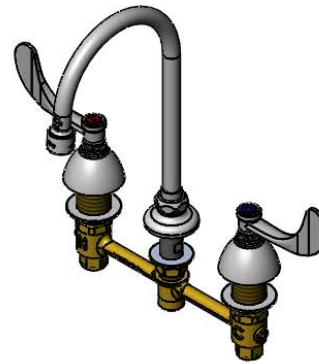
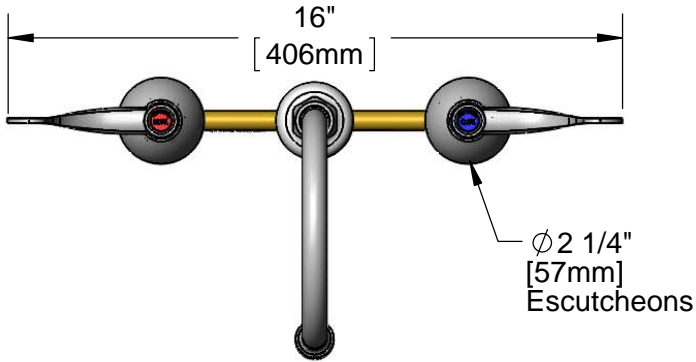
Model No.
B-2866-05QT-VRS

Item No.

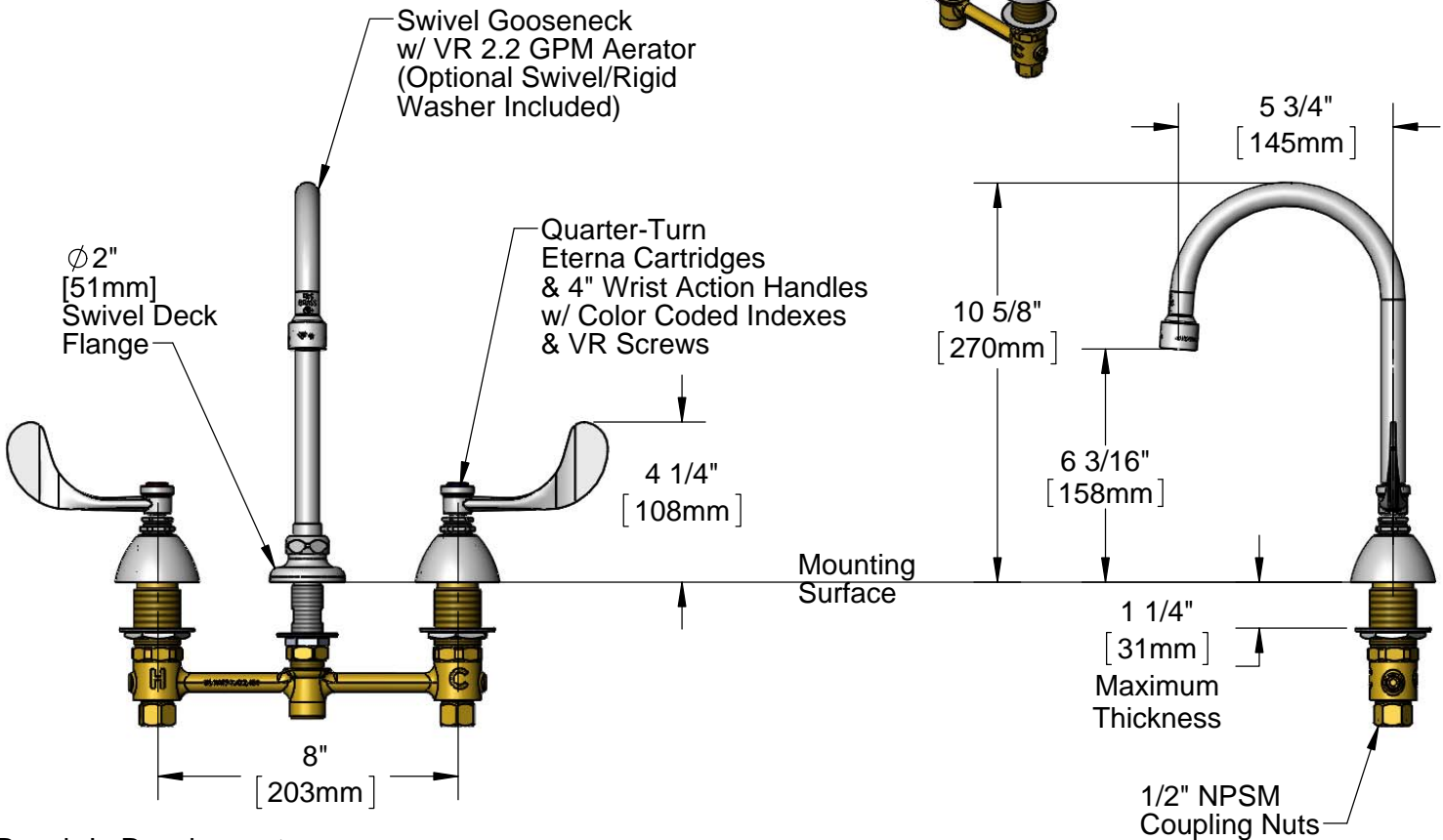
Travelers Rest, SC: 800-476-4103 • Simi Valley, CA: 800-423-0150 • Fax: 864-834-3518 • www.tsbrass.com

This Space for Architect/Engineer Approval

Job Name _____ Date _____
 Model Specified _____ Quantity _____
 Customer/Wholesaler _____
 Contractor _____
 Architect/Engineer _____



ADA Compliant



Rough-In Requirement:
 ϕ 1" [25mm] for Center Shank
 ϕ 1 1/2" [38mm] for Hot/Cold Side

Product Specifications:
 8" Concealed Widespread EasyInstall Mixing Faucet w/ 4" Wrist Action Handles w/ VR Screws, Quarter-Turn Eterna Cartridges, Swivel Gooseneck w/ VR 2.2 GPM Aerator and 1/2" NPSM Male Inlets

Product Compliance:
 ASME A112.18.1 / CSA B125.1
 NSF 61 - Section 9
 NSF 372 (Low Lead Content)
 ANSI A117.1 (ADA)



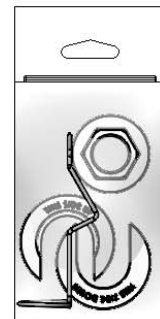
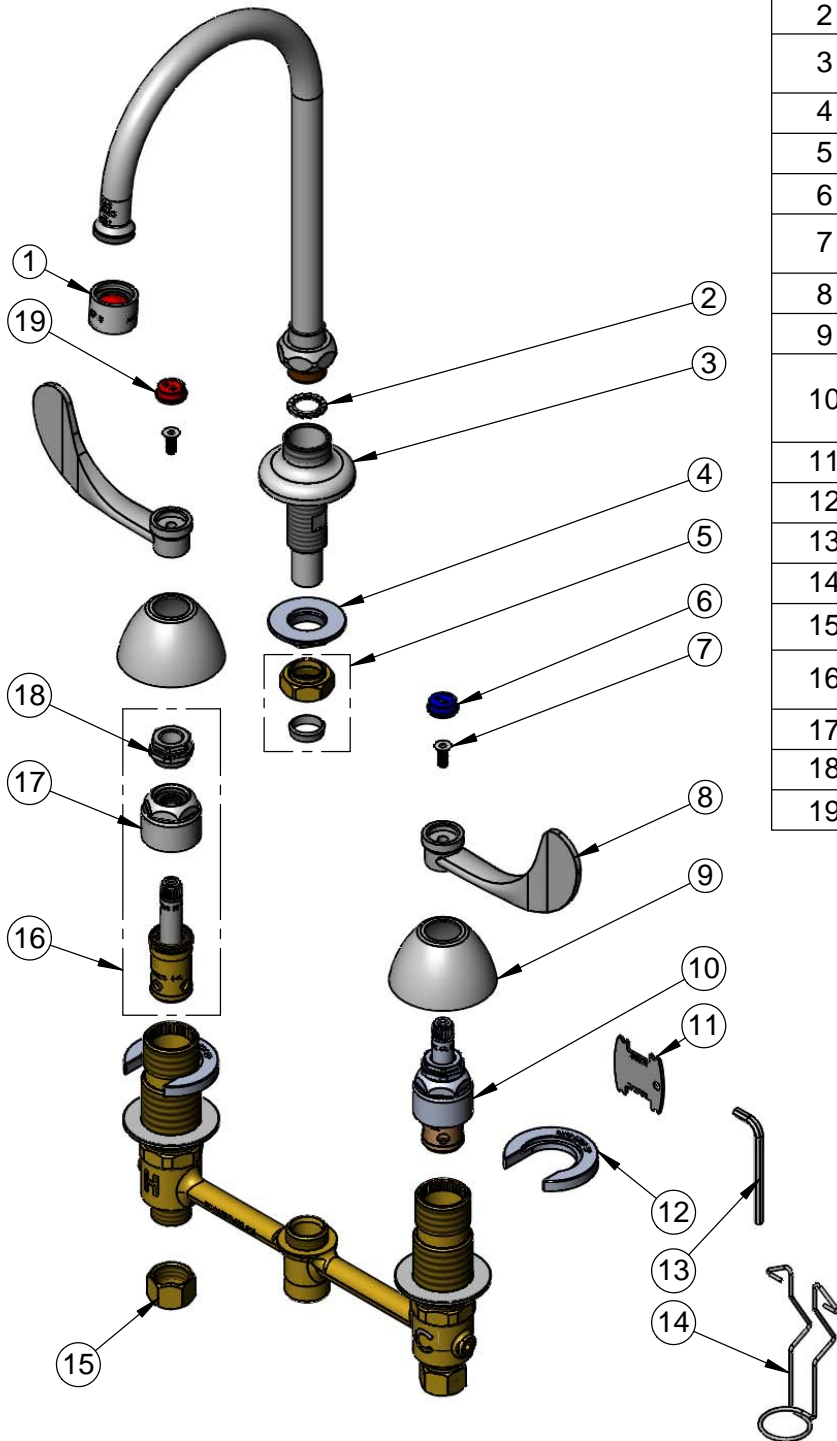
T&S BRASS AND BRONZE WORKS, INC.
 2 Saddleback Cove / P.O. Box 1088
 Travelers Rest, SC 29690

Model No.
B-2866-05QT-VRS

Item No.

Travelers Rest, SC: 800-476-4103 • Simi Valley, CA: 800-423-0150 • Fax: 864-834-3518 • www.tsbrass.com

ITEM NO.	SALES NO.	DESCRIPTION
1	B-0199-06	VR 2.2 GPM Aerator w/ Key
2	014200-45	Star Washer, Anti-Rotation
3	016754-40	EasyInstall CWS Swivel Center Shank
4	016742-45	Center Flange Nut
5	016745-45	Compression Nut & Fitting
6	001686-45	Blue Index - CW
7	B-VRS	Pin-In-Socket Screws w/ Hex Key
8	B-WH4	4" Wrist Action Handle
9	001257-40	Bell Escutcheon
10	016925-40	Quarter-Turn LTC Eterna (Teflon)
11	015425-45	Vandal Resistant Key
12	016749-45	Sidebody C-Washer
13	010587-45	Pin-in-Socket Hex Key
14	016777-45	CWS Hanger
15	000958-20	Coupling Nut
16	016926-40	EasyInstall Quarter-Turn RTC Eterna (Teflon)
17	016743-25	CWS Bonnet
18	009002-25	Packing Nut
19	001194-45	Red Index - HW



017245-40
 Installation Repair Kit
 Includes #4, (2)#12, & #14

Product Specifications:
 8" Concealed Widespread EasyInstall Mixing Faucet w/ 4" Wrist Action Handles w/ VR Screws, Quarter-Turn Eterna Cartridges, Swivel Gooseneck w/ VR 2.2 GPM Aerator and 1/2" NPSM Male Inlets

Product Compliance:
 ASME A112.18.1 / CSA B125.1
 NSF 61 - Section 9
 NSF 372 (Low Lead Content)
 ANSI A117.1 (ADA)